

DATA SHEET

Company		Date	08/02/2023
Project		Item	
		Ref No.	

SNSP 250-400-160

Single stage, radially split, volute casing type conforming to EU 547/2012

Operating Point Data

Capacity	:	Power at Duty Point	:
Head	:	Frequency	: 50 Hz
Efficiency (%)	:	Voltage	: 400 V
Impeller Diameter	: 408 mm	Motor Power	: 160.00 kW
NPSHr	:	Nominal Speed	: 1490 rpm
Shut Off Head	: 56.7 m		

Liquid Data

Liquid	: Water	Density	: 998.30 kg/m ³
Temperature	: 20 °C	Viscosity	: 1.005 cSt

Pump Data

Design	: Single Stage, End Suction	Type of Coupling	: Standard
Installation	: Horizontal	Direction Of Rotation	: Clockwise from the drive end
Suction Flange	: EN 1092 PN 16-DN 300	Impeller Type	: Radial impeller
Discharge Flange	: EN 1092 PN 16-DN 250	Type of Bearing	: Oil Lubricated Bearing
Pressure rating	: PN10	Type of Shaft Sealing	: Soft Packing

Minimum Efficiency Index (MEI) >= 0,4

Materials

Volute Casing	0.6025 / GG25 / EN-GJL-250 / ASTM A48 Class 40B
Casing Cover	0.6025 / GG25 / EN-GJL-250 / ASTM A48 Class 40B
Impeller	0.6025 / GG25 / EN-GJL-250 / ASTM A48 Class 40B
Shaft	1.0503 / C45 / AISI 1045
Bearing Housing	0.6025 / GG25 / EN-GJL-250 / ASTM A48 Class 40B

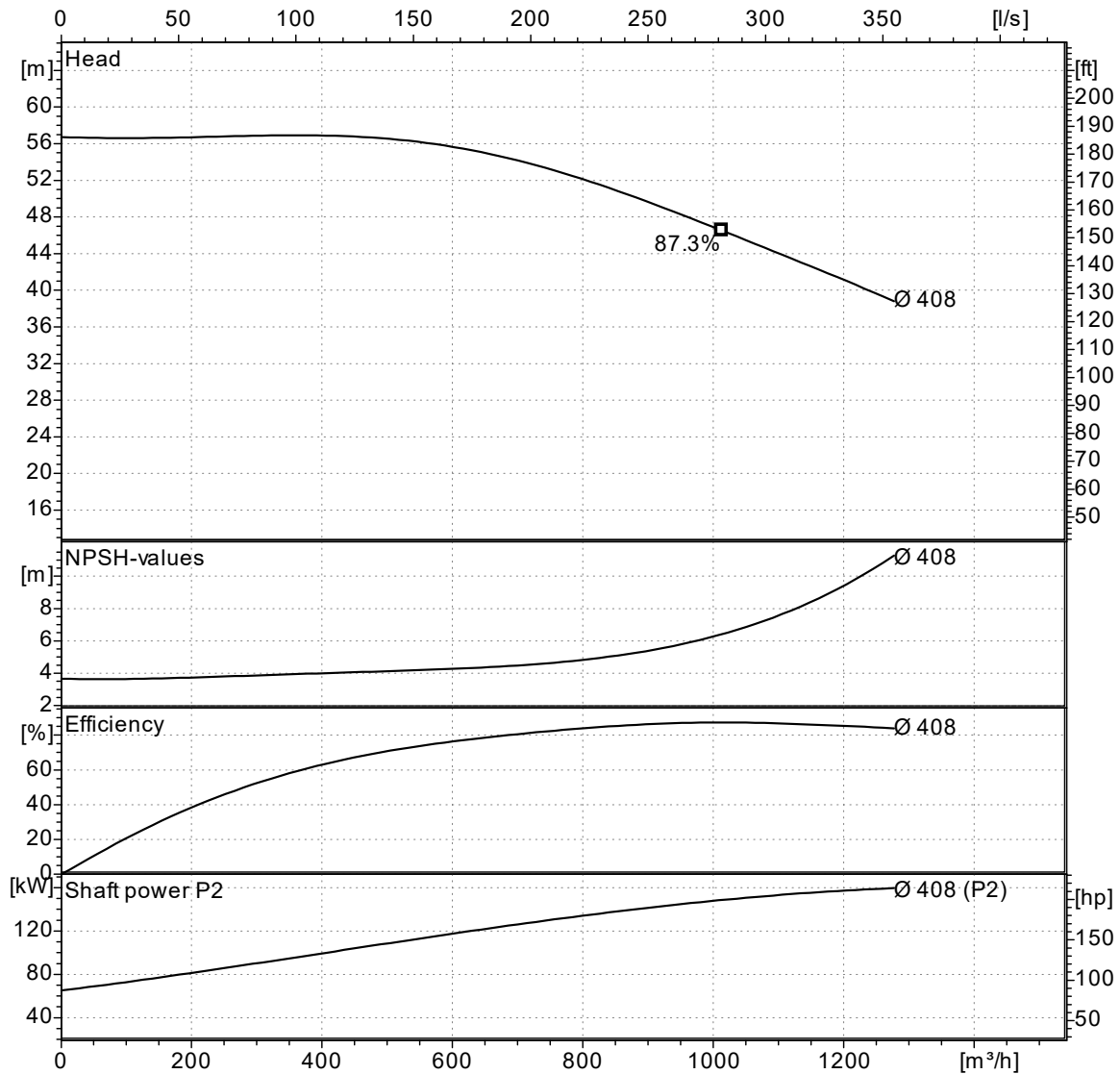
Operating Point Data

Company		Date	08/02/2023
Project		Item	
		Ref No.	

SNSP 250-400-160

Single stage, radially split, volute casing type conforming to EU 547/2012

Capacity:		NPSHr:	
Head:		Motor Power:	160.00 kW
Efficiency (%):		Nominal Speed:	1490 rpm
Power at Duty Point:		Frequency:	50 Hz
Viscosity:	1.005 cSt	Density:	998.30 kg/m ³



Curves compatible with ISO 9906:2012 Gr 3B

NPSHa > NPSHr + 1m

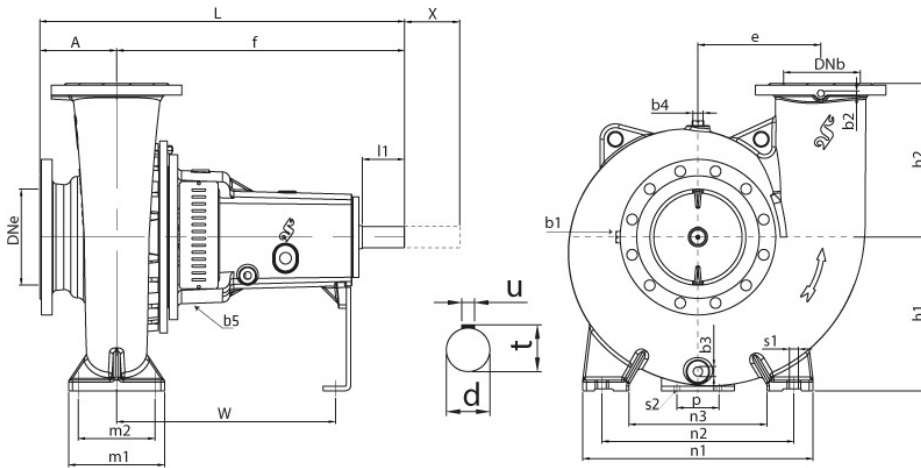
Note : The motor power is not sufficient for dotted area.

Company		Date	08/02/2023
Project		Item	
		Ref No.	

SNSP 250-400-160

Single stage, radially split, volute casing type conforming to EU 547/2012

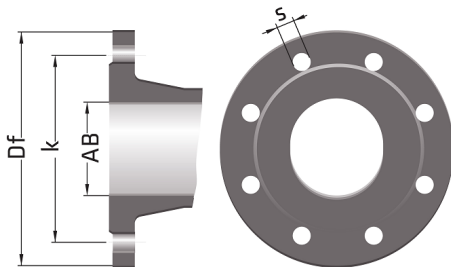
Pump Dimensions



Name	Value
A	230
b1	1/4"
b2	1/4"
b3	3/4"
b4	3/4"
b5	1/2"
d	65
DBe	300
DNb	250
f	800
h1	450
h2	480
L	1030
l1	140
m1	300
m2	240
n1	720
n2	600
n3	435
p	140
s1	27
s2	20
t	69
u	18
w	560
x	250

Note : b1, b2 and b4 holes are not drilled in ductile iron, cast steel and stainless steel volute casings.

Flange Dimensions



Suction Flange	Discharge Flange
AB = 300	AB = 250
Df = 460	Df = 405
k = 410	k = 355
n = 12	n = 12
s = 28	s = 28

" n " number of holes

Company		Date	08/02/2023
Project		Item	
		Ref No.	

SNSP 250-400-160

Single stage, radially split, volute casing type conforming to EU 547/2012

Motor Data

Efficiency Level :
 Motor type : Three-Phase Asynchronous Motor
 Motor Power : 160.0 kW
 Rated Speed : 1450 rpm
 Voltage : 400 V
 Rated Current : 0.00 A
 Frequency : 50 Hz
 Motor Phase : 3
 Service Factor : 1.15
 Insulation Class : F
 Degree of Protection : IP 55
 Efficiency : - %
 Power factor : 0.00