

## DATA SHEET

Company		Date	08/02/2023
Project		Item	
		Ref No.	

### SNSP 250-400-132

Single stage, radially split, volute casing type conforming to EU 547/2012

#### Operating Point Data

---

Capacity	:	Power at Duty Point	:
Head	:	Frequency	: 50 Hz
Efficiency (%)	:	Voltage	: 400 V
Impeller Diameter	: 385 mm	Motor Power	: 132.00 kW
NPSHr	:	Nominal Speed	: 1490 rpm
Shut Off Head	: 49.8 m		

#### Liquid Data

---

Liquid	: Water	Density	: 998.30 kg/m <sup>3</sup>
Temperature	: 20 °C	Viscosity	: 1.005 cSt

#### Pump Data

---

Design	: Single Stage, End Suction	Type of Coupling	: Standard
Installation	: Horizontal	Direction Of Rotation	: Clockwise from the drive end
Suction Flange	: EN 1092 PN 16-DN 300	Impeller Type	: Radial impeller
Discharge Flange	: EN 1092 PN 16-DN 250	Type of Bearing	: Oil Lubricated Bearing
Pressure rating	: PN10	Type of Shaft Sealing	: Soft Packing

Minimum Efficiency Index (MEI) >= 0,4

#### Materials

---

Volute Casing	0.6025 / GG25 / EN-GJL-250 / ASTM A48 Class 40B
Casing Cover	0.6025 / GG25 / EN-GJL-250 / ASTM A48 Class 40B
Impeller	0.6025 / GG25 / EN-GJL-250 / ASTM A48 Class 40B
Shaft	1.0503 / C45 / AISI 1045
Bearing Housing	0.6025 / GG25 / EN-GJL-250 / ASTM A48 Class 40B

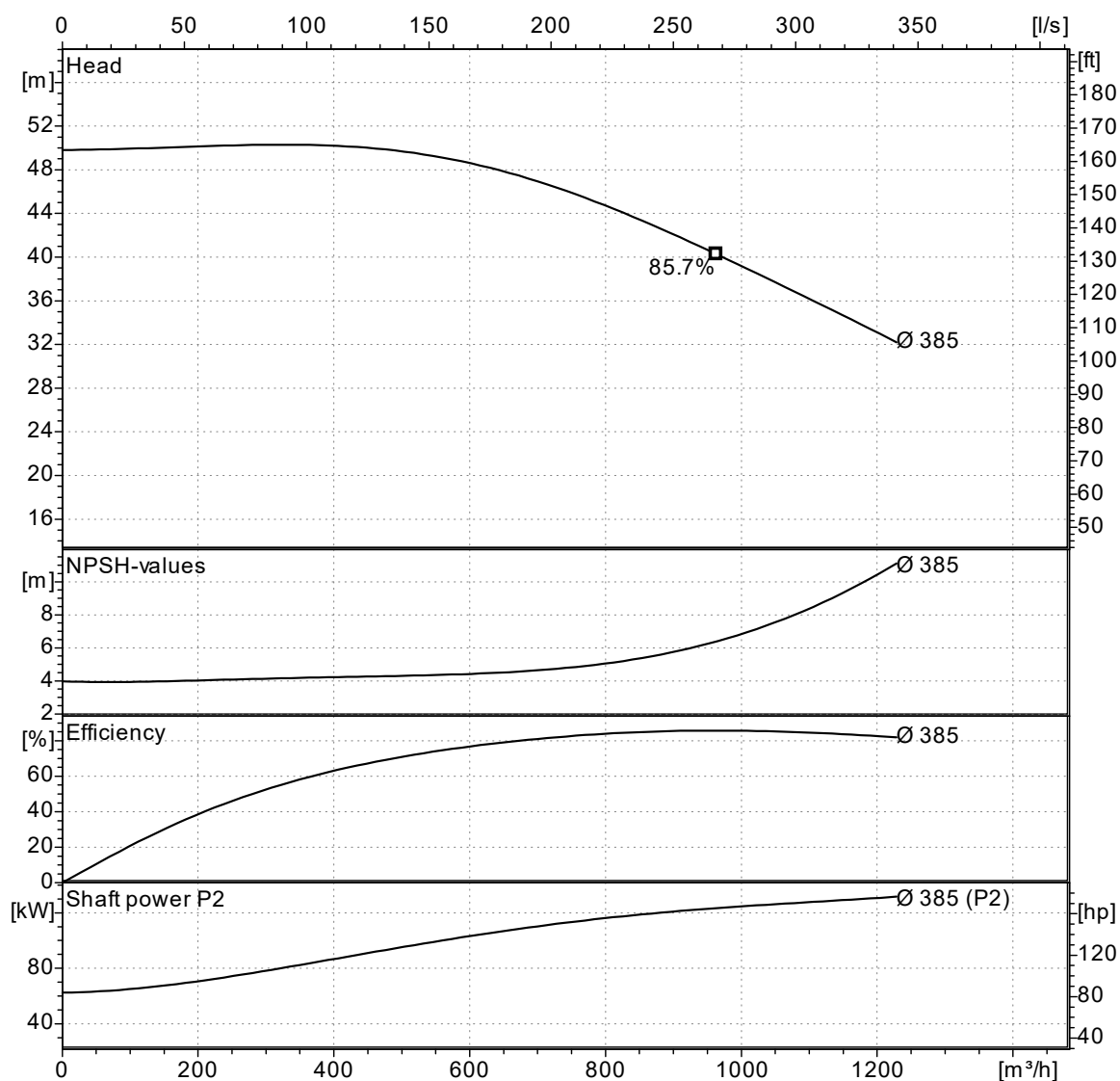
## Operating Point Data

Company		Date	08/02/2023
Project		Item	
		Ref No.	

### SNSP 250-400-132

Single stage, radially split, volute casing type conforming to EU 547/2012

Capacity:		NPSHr:	
Head:		Motor Power:	132.00 kW
Efficiency (%):		Nominal Speed:	1490 rpm
Power at Duty Point:		Frequency:	50 Hz
Viscosity:	1.005 cSt	Density:	998.30 kg/m <sup>3</sup>



Curves compatible with ISO 9906:2012 Gr 3B

NPSHa > NPSHr + 1m

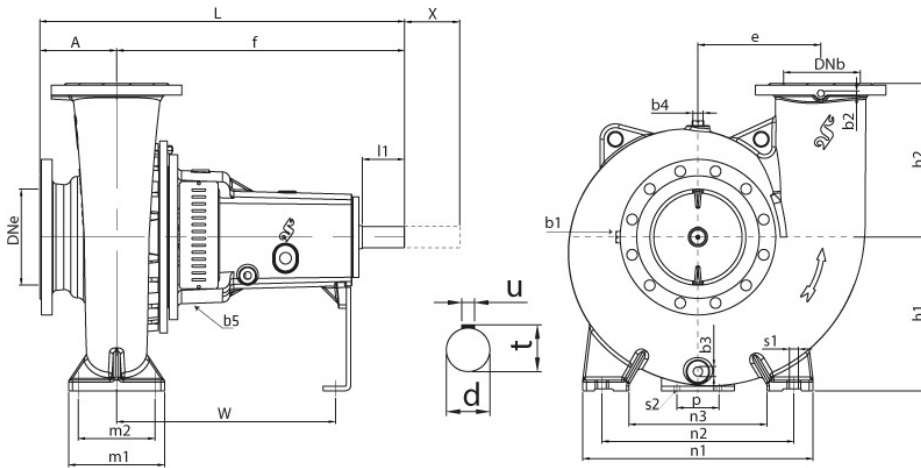
Note : The motor power is not sufficient for dotted area.

Company		Date	08/02/2023
Project		Item	
		Ref No.	

**SNSP 250-400-132**

Single stage, radially split, volute casing type conforming to EU 547/2012

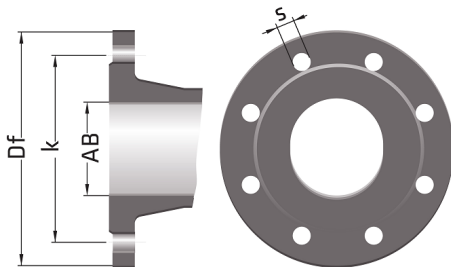
**Pump Dimensions**



Name	Value
A	230
b1	1/4"
b2	1/4"
b3	3/4"
b4	3/4"
b5	1/2"
d	65
DBe	300
DNb	250
f	800
h1	450
h2	480
L	1030
l1	140
m1	300
m2	240
n1	720
n2	600
n3	435
p	140
s1	27
s2	20
t	69
u	18
w	560
x	250

Note : b1, b2 and b4 holes are not drilled in ductile iron, cast steel and stainless steel volute casings.

**Flange Dimensions**



Suction Flange	Discharge Flange
AB = 300	AB = 250
Df = 460	Df = 405
k = 410	k = 355
n = 12	n = 12
s = 28	s = 28

" n " number of holes

Company		Date	08/02/2023
Project		Item	
		Ref No.	

**SNSP 250-400-132**

Single stage, radially split, volute casing type conforming to EU 547/2012

**Motor Data**

---

Efficiency Level :  
 Motor type : Three-Phase Asynchronous Motor  
 Motor Power : 132.0 kW  
 Rated Speed : 1450 rpm  
 Voltage : 400 V  
 Rated Current : 0.00 A  
 Frequency : 50 Hz  
 Motor Phase : 3  
 Service Factor : 1.15  
 Insulation Class : F  
 Degree of Protection : IP 55  
 Efficiency : - %  
 Power factor : 0.00