

## DATA SHEET

|         |  |         |            |
|---------|--|---------|------------|
| Company |  | Date    | 30/01/2023 |
| Project |  | Item    |            |
|         |  | Ref No. |            |

### SNSM 50-315-7.5

Horizontal, single stage, radially split, closed-coupled, volute casing type conforming to EN 733 and EU 547/2012

#### Operating Point Data

---

|                   |          |                     |            |
|-------------------|----------|---------------------|------------|
| Capacity          | :        | Power at Duty Point | :          |
| Head              | :        | Frequency           | : 50 Hz    |
| Efficiency (%)    | :        | Voltage             | : 400 V    |
| Impeller Diameter | : 312 mm | Motor Power         | : 7.50 kW  |
| NPSHr             | :        | Nominal Speed       | : 1450 rpm |
| Shut Off Head     | : 34.6 m |                     |            |

#### Liquid Data

---

|             |         |           |                            |
|-------------|---------|-----------|----------------------------|
| Liquid      | : Water | Density   | : 998.30 kg/m <sup>3</sup> |
| Temperature | : 20 °C | Viscosity | : 1.005 cSt                |

#### Pump Data

---

|                  |  |                       |                                |
|------------------|--|-----------------------|--------------------------------|
| Design           | : Single Stage, End Suction, Monoblock |                       |                                |
| Installation     | : Horizontal                           | Direction Of Rotation | : Clockwise from the drive end |
| Suction Flange   | : EN 1092 PN 16-DN 65                  | Impeller Type         | : Radial impeller              |
| Discharge Flange | : EN 1092 PN 16-DN 50                  | Type of Shaft Sealing | : Mechanical Seal              |
| Pressure rating  | : PN10                                 |                       |                                |

Minimum Efficiency Index (MEI) >= 0,4

#### Materials

---

|                        |   |
|------------------------|---|
| Volute Casing          | 0.6025 / GG25 / EN-GJL-250 / ASTM A48 Class 40B |
| Casing Cover           | 0.6025 / GG25 / EN-GJL-250 / ASTM A48 Class 40B |
| Impeller               | 0.6025 / GG25 / EN-GJL-250 / ASTM A48 Class 40B |
| Shaft                  | 1.4021 / X20Cr13 / ASTM A276 Type 420           |
| Mechanical Seal Sleeve | 1.4021 / X20Cr13 / ASTM A276 Type 420           |
| Motor Pedestal         | 0.6025 / GG25 / EN-GJL-250 / ASTM A48 Class 40B |

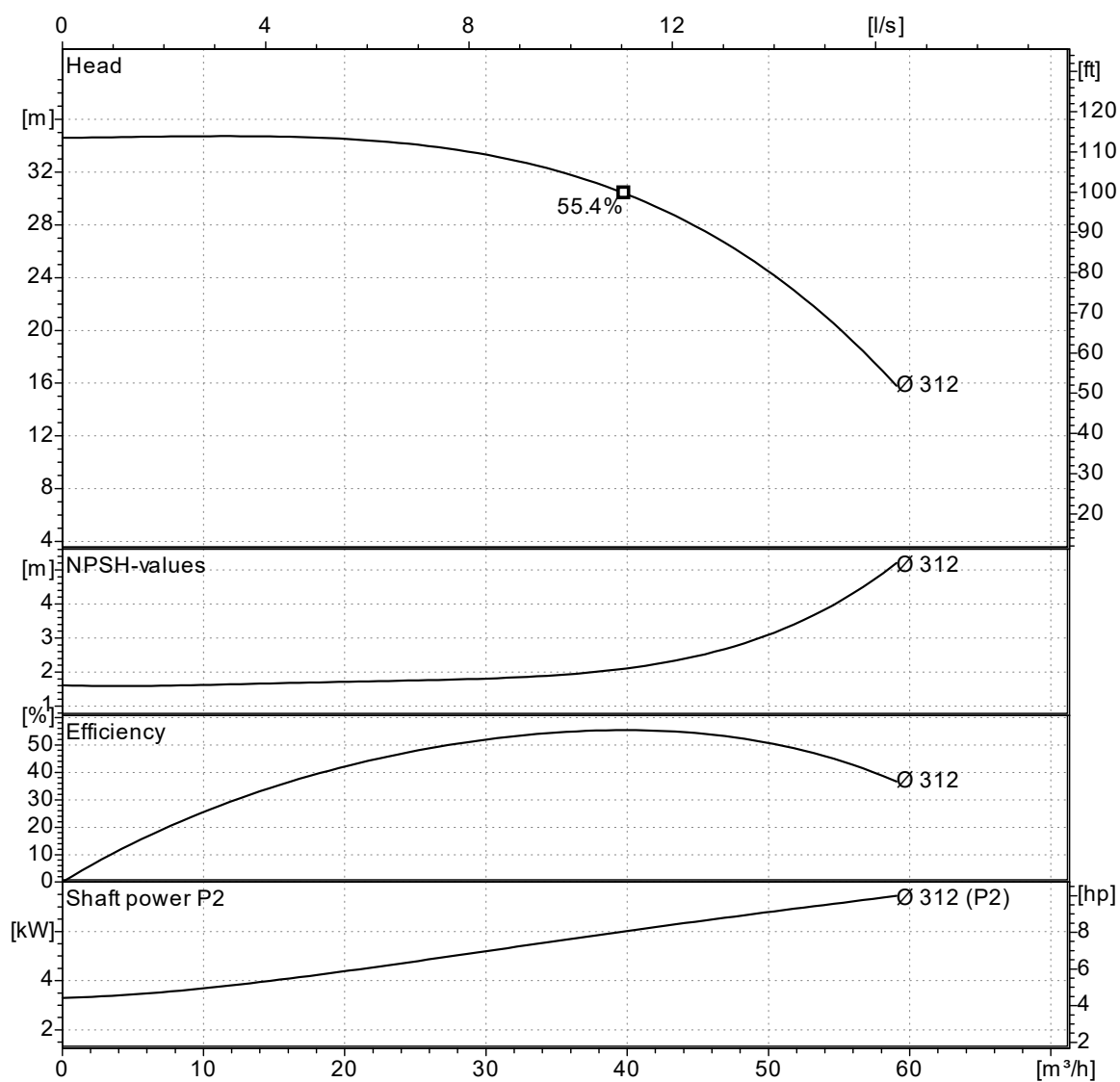
## Operating Point Data

|         |  |         |            |
|---------|--|---------|------------|
| Company |  | Date    | 30/01/2023 |
| Project |  | Item    |            |
|         |  | Ref No. |            |

### SNSM 50-315-7.5

Horizontal, single stage, radially split, closed-coupled, volute casing type conforming to EN 733 and EU 547/2012

|                      |           |                |                          |
|----------------------|-----------|----------------|--------------------------|
| Capacity:            |           | NPSHr:         |                          |
| Head:                |           | Motor Power:   | 7.50 kW                  |
| Efficiency (%):      |           | Nominal Speed: | 1450 rpm                 |
| Power at Duty Point: |           | Frequency:     | 50 Hz                    |
| Viscosity:           | 1.005 cSt | Density:       | 998.30 kg/m <sup>3</sup> |



Curves compatible with ISO 9906:2012 Gr 3B

NPSHa > NPSHr + 1m

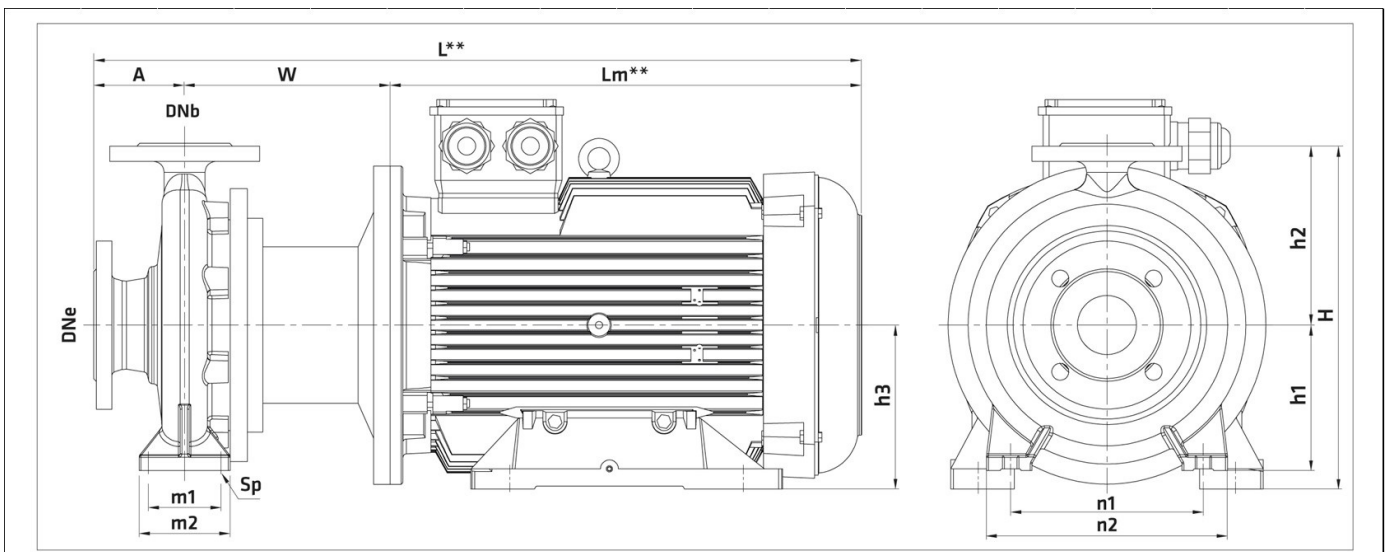
Note : The motor power is not sufficient for dotted area.

|         |  |         |            |
|---------|--|---------|------------|
| Company |  | Date    | 30/01/2023 |
| Project |  | Item    |            |
|         |  | Ref No. |            |

## SNSM 50-315-7.5

Horizontal, single stage, radially split, closed-coupled, volute casing type conforming to EN 733 and EU 547/2012

### Pump Dimensions



\*\* Ölçüler motor üreticisine göre değişiklik gösterebilir. / \*\* Differs according to motor manufacturer.

1500 rpm

|        | Motor |      | (mm) |     |     |     |      |     |     |     |     |     |    |     |     |     |    |
|--------|-------|------|------|-----|-----|-----|------|-----|-----|-----|-----|-----|----|-----|-----|-----|----|
|        | kW    | IEC  | DNe  | DNb | A   | W   | Lm** | L** | H   | h1  | h2  | h3  | m1 | m2  | n1  | n2  | Sp |
| 50-315 | 5,5   | 132M | 65   | 50  | 125 | 214 | 396  | 735 | 505 | 225 | 280 | 132 | 95 | 125 | 280 | 345 | 14 |
| 50-315 | 7,5   | 132M | 65   | 50  | 125 | 214 | 396  | 735 | 505 | 225 | 280 | 132 | 95 | 125 | 280 | 345 | 14 |
| 50-315 | 11    | 160M | 65   | 50  | 125 | 244 | 466  | 835 | 505 | 225 | 280 | 160 | 95 | 125 | 280 | 345 | 14 |

### Flange Dimensions



#### Suction Flange

AB = 65  
Df = 185  
k = 145  
n = 4  
s = 19

#### Discharge Flange

AB = 50  
Df = 165  
k = 125  
n = 4  
s = 19

" n " number of holes

|         |  |         |            |
|---------|--|---------|------------|
| Company |  | Date    | 30/01/2023 |
| Project |  | Item    |            |
|         |  | Ref No. |            |

**SNSM 50-315-7.5**

Horizontal, single stage, radially split, closed-coupled, volute casing type conforming to EN 733 and EU 547/2012

**Motor Data**

---

Efficiency Level :  
 Motor type : Three-Phase Asynchronous Motor  
 Motor Power : 7.5 kW  
 Rated Speed : 1450 rpm  
 Voltage : 400 V  
 Rated Current : 15.00 A  
 Frequency : 50 Hz  
 Motor Phase : 3  
 Service Factor : 1.15  
 Insulation Class : F  
 Degree of Protection : IP 55  
 Efficiency : - %  
 Power factor : 0.00