

DATA SHEET

Company		Date	27/01/2023
Project		Item	
		Ref No.	

SNSM 40-250-30

Horizontal, single stage, radially split, closed-coupled, volute casing type conforming to EN 733 and EU 547/2012

Operating Point Data

Capacity	:	Power at Duty Point	:
Head	:	Frequency	: 50 Hz
Efficiency (%)	:	Voltage	: 380 V
Impeller Diameter	: 264 mm	Motor Power	: 30.00 kW
NPSHr	:	Nominal Speed	: 2955 rpm
Shut Off Head	: 97.4 m		

Liquid Data

Liquid	: Water	Density	: 998.30 kg/m ³
Temperature	: 20 °C	Viscosity	: 1.005 cSt

Pump Data

Design	: Single Stage, End Suction, Monoblock		
Installation	: Horizontal	Direction Of Rotation	: Clockwise from the drive end
Suction Flange	: EN 1092 PN 16-DN 65	Impeller Type	: Radial impeller
Discharge Flange	: EN 1092 PN 16-DN 40	Type of Shaft Sealing	: Mechanical Seal
Pressure rating	: PN10		

Minimum Efficiency Index (MEI) >= 0,4

Materials

Volute Casing	0.6025 / GG25 / EN-GJL-250 / ASTM A48 Class 40B
Casing Cover	0.6025 / GG25 / EN-GJL-250 / ASTM A48 Class 40B
Impeller	0.6025 / GG25 / EN-GJL-250 / ASTM A48 Class 40B
Shaft	1.4021 / X20Cr13 / ASTM A276 Type 420
Mechanical Seal Sleeve	1.4021 / X20Cr13 / ASTM A276 Type 420
Motor Pedestal	0.6025 / GG25 / EN-GJL-250 / ASTM A48 Class 40B

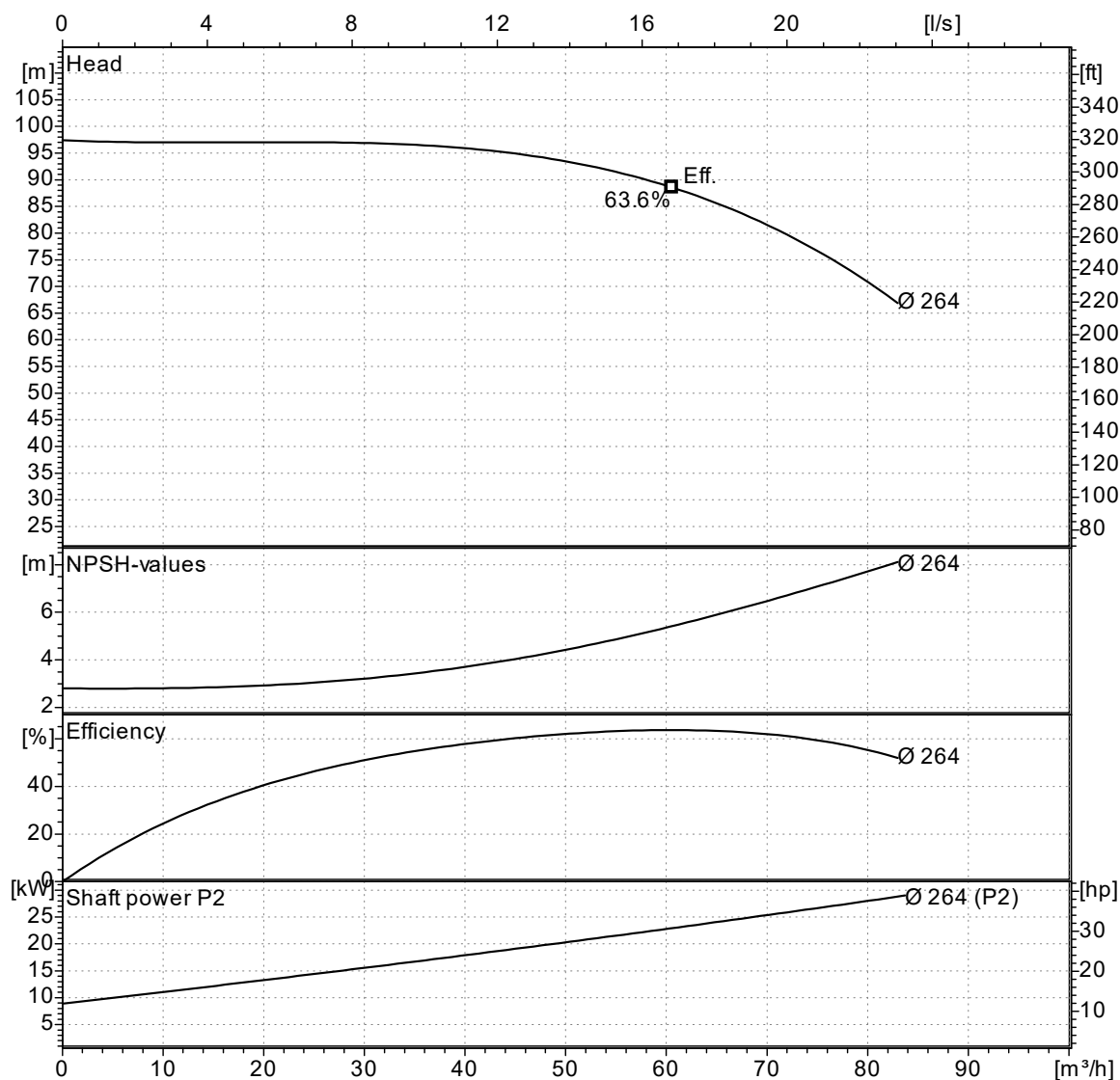
Operating Point Data

Company		Date	27/01/2023
Project		Item	
		Ref No.	

SNSM 40-250-30

Horizontal, single stage, radially split, closed-coupled, volute casing type conforming to EN 733 and EU 547/2012

Capacity:		NPSHr:	
Head:		Motor Power:	30.00 kW
Efficiency (%):		Nominal Speed:	2955 rpm
Power at Duty Point:		Frequency:	50 Hz
Viscosity:	1.005 cSt	Density:	998.30 kg/m ³



Curves compatible with ISO 9906:2012 Gr 3B

NPSHa > NPSHr + 1m

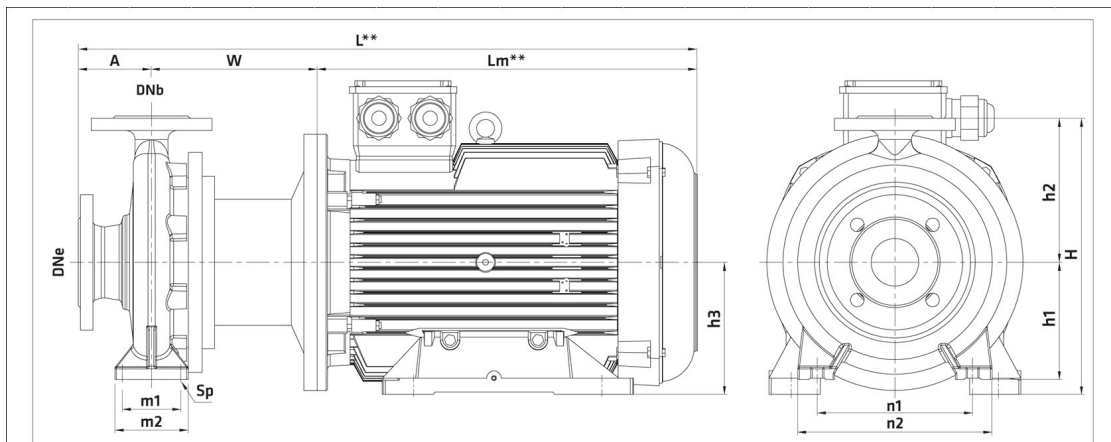
Note : The motor power is not sufficient for dotted area.

Company		Date	27/01/2023
Project		Item	
		Ref No.	

SNSM 40-250-30

Horizontal, single stage, radially split, closed-coupled, volute casing type conforming to EN 733 and EU 547/2012

Pump Dimensions



** Ölçüler motor üreticisine göre değişiklik gösterebilir. / ** Differs according to motor manufacturer.

3000 rpm																	
	Motor		(mm)														
	kW	IEC	DNe	DNb	A	W	Lm**	L**	H	h1	h2	h3	m1	m2	n1	n2	Sp
40-250	15	160L	65	40	100	226	466	792	405	180	225	160	70	125	250	320	14
40-250	18,5	160L	65	40	100	226	466	792	405	180	225	160	70	125	250	320	14
40-250	22	180M	65	40	100	226	519	845	405	180	225	180	70	125	250	320	14
40-250	30	200L	65	40	100	226	555	881	425	180	225	200	70	125	250	320	14
1500 rpm																	
	Motor		(mm)														
	kW	IEC	DNe	DNb	A	W	Lm**	L**	H	h1	h2	h3	m1	m2	n1	n2	Sp
40-250	2,2	100L	65	40	100	179	292	571	405	180	225	100	70	125	250	320	14
40-250	3	100L	65	40	100	179	292	571	405	180	225	100	70	125	250	320	14
40-250	4	112M	65	40	100	179	335	614	405	180	225	112	70	125	250	320	14

Flange Dimensions



Suction Flange

AB = 65
Df = 185
k = 145
n = 4
s = 19

Discharge Flange

AB = 40
Df = 150
k = 100
n = 4
s = 19

" n " number of holes

Company		Date	27/01/2023
Project		Item	
		Ref No.	

SNSM 40-250-30

Horizontal, single stage, radially split, closed-coupled, volute casing type conforming to EN 733 and EU 547/2012

Motor Data

Efficiency Level : -

Motor type : Three-Phase Asynchronous Motor

Motor Power : 30.0 kW

Rated Speed : 2950 rpm

Voltage : 380 V

Rated Current : 0.00 A

Frequency : 50 Hz

Motor Phase : 3

Service Factor : 1.15

Insulation Class : F

Degree of Protection : IP 55

Efficiency : - %

Power factor : 0.00