

## DATA SHEET

Company		Date	31/01/2023
Project		Item	
		Ref No.	

### ECO SNM 150-250

Horizontal, single stage, radially split, closed-coupled, volute casing type conforming to EN 733 and EU 547/2012

#### Operating Point Data

Capacity	:	Power at Duty Point	:
Head	:	Frequency	: 50 Hz
Efficiency (%)	:	Voltage	: 400 V
Impeller Diameter	: 228 mm	Motor Power	: 15.00 kW
NPSHr	:	Nominal Speed	: 1460 rpm
Shut Off Head	: 14.8 m		

#### Liquid Data

Liquid	: Water	Density	: 998.30 kg/m <sup>3</sup>
Temperature	: 20 °C	Viscosity	: 1.005 cSt

#### Pump Data

Design	: Single Stage, End Suction, Monoblock		
Installation	: Horizontal	Direction Of Rotation	: Clockwise from the drive end
Suction Flange	: EN 1092 PN 16-DN 200	Impeller Type	: Radial impeller
Discharge Flange	: EN 1092 PN 16-DN 150	Type of Shaft Sealing	: Mechanical Seal
Pressure rating	: PN10		

Minimum Efficiency Index (MEI) >= 0,4

#### Materials

Volute Casing	0.6025 / GG25 / EN-GJL-250 / ASTM A48 Class 40B
Casing Cover	0.6025 / GG25 / EN-GJL-250 / ASTM A48 Class 40B
Impeller	0.6025 / GG25 / EN-GJL-250 / ASTM A48 Class 40B
Shaft	1.4021 / X20Cr13 / ASTM A276 Type 420
Mechanical Seal Sleeve	1.4021 / X20Cr13 / ASTM A276 Type 420
Motor Pedestal	0.6025 / GG25 / EN-GJL-250 / ASTM A48 Class 40B

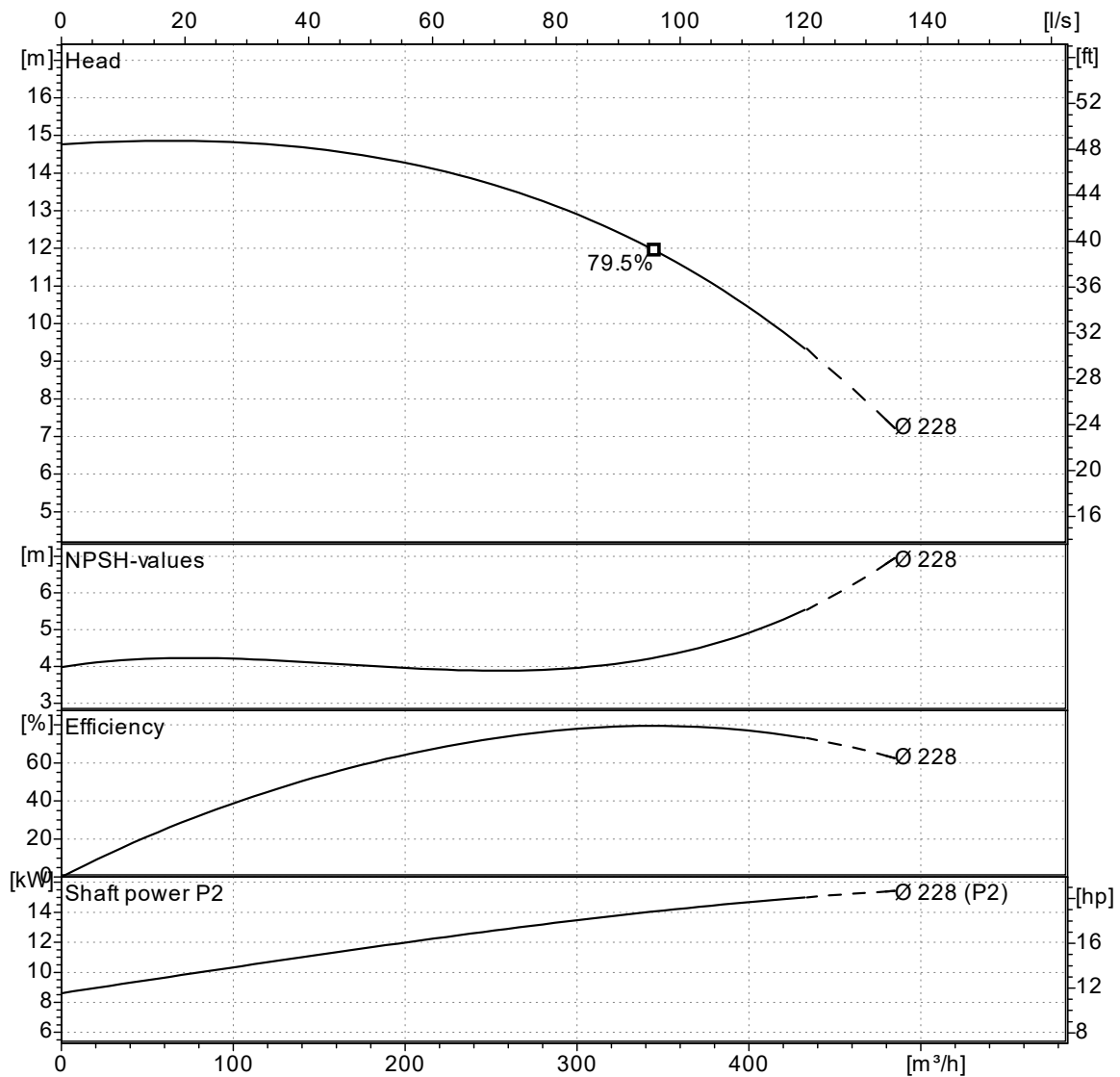
## Operating Point Data

Company		Date	31/01/2023
Project		Item	
		Ref No.	

### ECO SNM 150-250

Horizontal, single stage, radially split, closed-coupled, volute casing type conforming to EN 733 and EU 547/2012

Capacity:		NPSHr:	
Head:		Motor Power:	15.00 kW
Efficiency (%):		Nominal Speed:	1460 rpm
Power at Duty Point:		Frequency:	50 Hz
Viscosity:	1.005 cSt	Density:	998.30 kg/m <sup>3</sup>



Curves compatible with ISO 9906:2012 Gr 3B

NPSHa > NPSHr + 1m

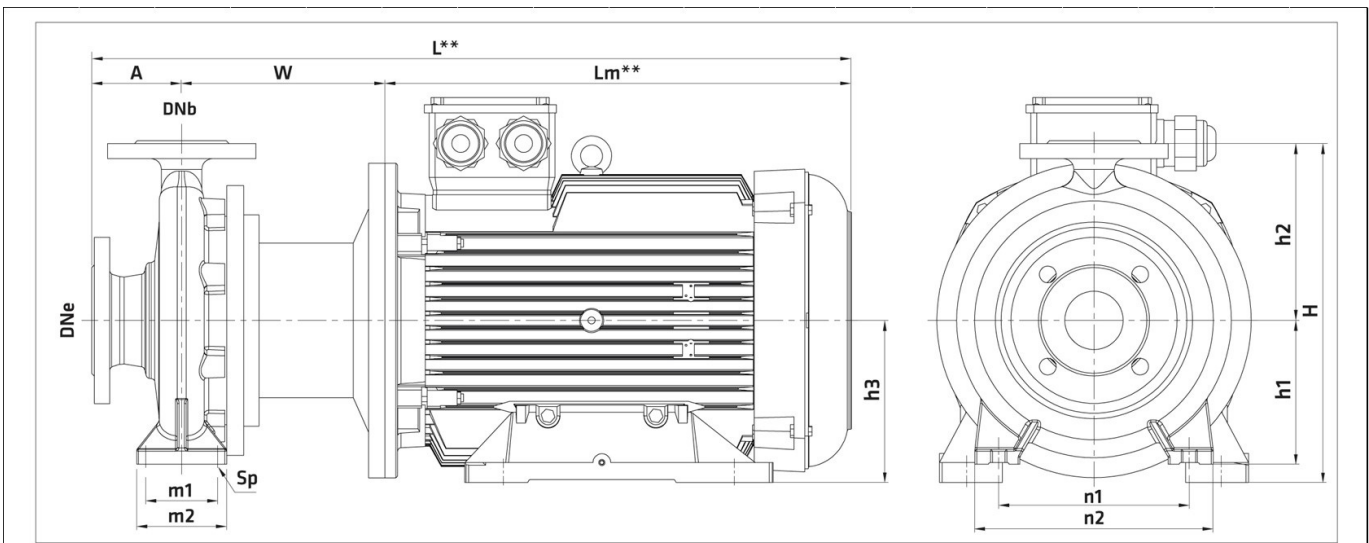
Note : The motor power is not sufficient for dotted area.

Company		Date	31/01/2023
Project		Item	
		Ref No.	

## ECO SNM 150-250

Horizontal, single stage, radially split, closed-coupled, volute casing type conforming to EN 733 and EU 547/2012

### Pump Dimensions



\*\* Ölçüler motor üreticisine göre değişkenlik gösterebilir. / \*\* Differs according to motor manufacturer.

		1500 rpm																
		Motor		(mm)														
	kW	IEC	DNe	DNb	A	W	Lm**	L**	H	h1	h2	h3	m1	m2	n1	n2	Sp	
150-250	15	160L	200	150	160	244	466	870	655	280	375	160	150	200	400	500	23	
150-250	18,5	180M	200	150	160	244	519	923	655	280	375	180	150	200	400	500	23	
150-250	22	180L	200	150	160	244	519	923	655	280	375	180	150	200	400	500	23	
150-250	30	200L	200	150	160	246	555	961	655	280	375	200	150	200	400	500	23	

### Flange Dimensions



#### Suction Flange

AB = 200  
Df = 340  
k = 295  
n = 12  
s = 23

#### Discharge Flange

AB = 150  
Df = 285  
k = 240  
n = 8  
s = 23

" n " number of holes

Company		Date	31/01/2023
Project		Item	
		Ref No.	

### **ECO SNM 150-250**

Horizontal, single stage, radially split, closed-coupled, volute casing type conforming to EN 733 and EU 547/2012

#### **Motor Data**

---

Efficiency Level	:	
Motor type	:	Three-Phase Asynchronous Motor
Motor Power	:	15.0 kW
Rated Speed	:	1450 rpm
Voltage	:	400 V
Rated Current	:	0.00 A
Frequency	:	50 Hz
Motor Phase	:	3
Service Factor	:	1.15
Insulation Class	:	F
Degree of Protection	:	IP 55
Efficiency	:	- %
Power factor	:	0.00