

## DATA SHEET

Company		Date	31/01/2023
Project		Item	
		Ref No.	

### SNSM 125-200-11

Horizontal, single stage, radially split, closed-coupled, volute casing type conforming to EN 733 and EU 547/2012

#### Operating Point Data

---

Capacity	:	Power at Duty Point	:
Head	:	Frequency	: 50 Hz
Efficiency (%)	:	Voltage	: 400 V
Impeller Diameter	: 219 mm	Motor Power	: 11.00 kW
NPSHr	:	Nominal Speed	: 1460 rpm
Shut Off Head	: 14.2 m		

#### Liquid Data

---

Liquid	: Water	Density	: 998.30 kg/m <sup>3</sup>
Temperature	: 20 °C	Viscosity	: 1.005 cSt

#### Pump Data

---

Design	: Single Stage, End Suction, Monoblock		
Installation	: Horizontal	Direction Of Rotation	: Clockwise from the drive end
Suction Flange	: EN 1092 PN 16-DN 150	Impeller Type	: Radial impeller
Discharge Flange	: EN 1092 PN 16-DN 125	Type of Shaft Sealing	: Mechanical Seal
Pressure rating	: PN10		

Minimum Efficiency Index (MEI) >= 0,4

#### Materials

---

Volute Casing	0.6025 / GG25 / EN-GJL-250 / ASTM A48 Class 40B
Casing Cover	0.6025 / GG25 / EN-GJL-250 / ASTM A48 Class 40B
Impeller	0.6025 / GG25 / EN-GJL-250 / ASTM A48 Class 40B
Shaft	1.4021 / X20Cr13 / ASTM A276 Type 420
Mechanical Seal Sleeve	1.4021 / X20Cr13 / ASTM A276 Type 420
Motor Pedestal	0.6025 / GG25 / EN-GJL-250 / ASTM A48 Class 40B

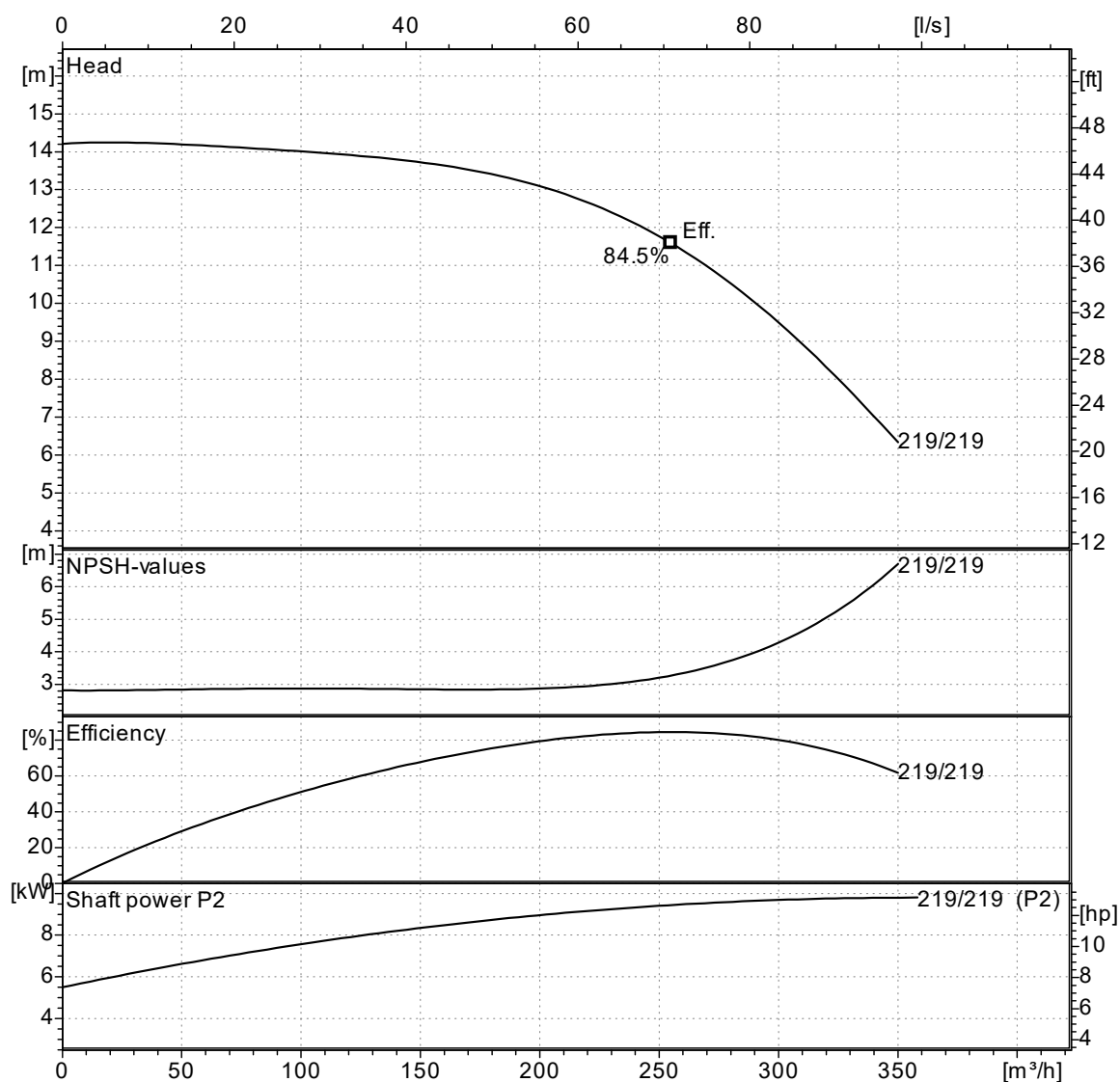
### Operating Point Data

Company		Date	31/01/2023
Project		Item	
		Ref No.	

### SNSM 125-200-11

Horizontal, single stage, radially split, closed-coupled, volute casing type conforming to EN 733 and EU 547/2012

Capacity:		NPSHr:	
Head:		Motor Power:	11.00 kW
Efficiency (%):		Nominal Speed:	1460 rpm
Power at Duty Point:		Frequency:	50 Hz
Viscosity:	1.005 cSt	Density:	998.30 kg/m <sup>3</sup>



Curves compatible with ISO 9906:2012 Gr 3B

NPSHa > NPSHr + 1m

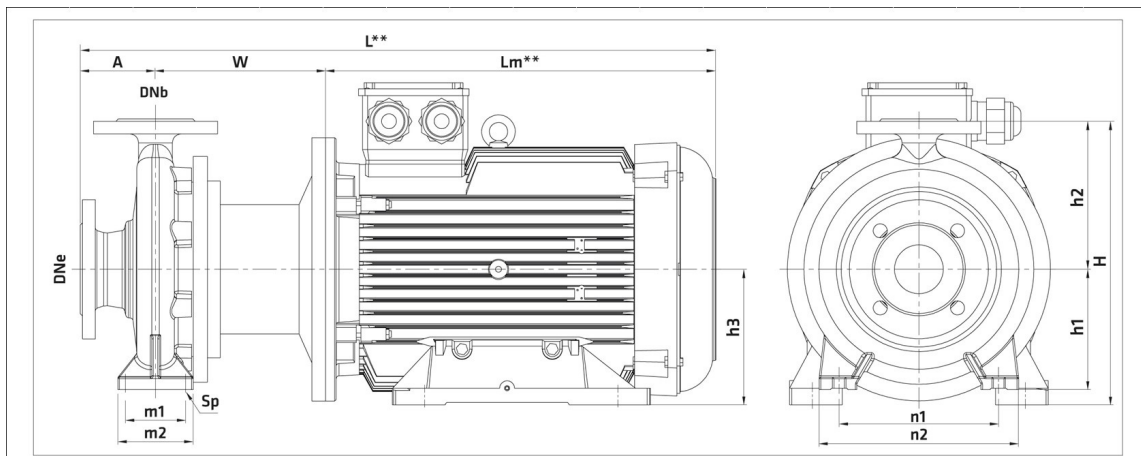
Note : The motor power is not sufficient for dotted area.

Company		Date	31/01/2023
Project		Item	
		Ref No.	

## SNSM 125-200-11

Horizontal, single stage, radially split, closed-coupled, volute casing type conforming to EN 733 and EU 547/2012

### Pump Dimensions



\*\* Ölçüler motor üreticisine göre değişiklik gösterebilir. / \*\* Differs according to motor manufacturer.

3000 rpm																	
Motor		(mm)															
kW	IEC	DNe	DNb	A	W	Lm**	L**	H	h1	h2	h3	m1	m2	n1	n2	Sp	
125-200	55	250M	150	125	140	294	753	1187	565	250	315	250	120	160	315	400	19
125-200	75	280M	150	125	140	294	885	1319	595	250	315	280	120	160	315	400	19
125-200	90	280M	150	125	140	294	885	1319	595	250	315	280	120	160	315	400	19
1500 rpm																	
Motor		(mm)															
kW	IEC	DNe	DNb	A	W	Lm**	L**	H	h1	h2	h3	m1	m2	n1	n2	Sp	
125-200	7,5	132M	150	125	140	214	396	750	565	250	315	132	120	160	315	400	19
125-200	11	160M	150	125	140	244	466	850	565	250	315	160	120	160	315	400	19

### Flange Dimensions



#### Suction Flange

AB = 150

Df = 285

k = 240

n = 8

s = 23

#### Discharge Flange

AB = 125

Df = 250

k = 210

n = 8

s = 19

" n " number of holes

Company		Date	31/01/2023
Project		Item	
		Ref No.	

**SNSM 125-200-11**

Horizontal, single stage, radially split, closed-coupled, volute casing type conforming to EN 733 and EU 547/2012

**Motor Data**

---

Efficiency Level :  
 Motor type : Three-Phase Asynchronous Motor  
 Motor Power : 11.0 kW  
 Rated Speed : 1450 rpm  
 Voltage : 400 V  
 Rated Current : 0.00 A  
 Frequency : 50 Hz  
 Motor Phase : 3  
 Service Factor : 1.15  
 Insulation Class : F  
 Degree of Protection : IP 55  
 Efficiency : - %  
 Power factor : 0.00