

DATA SHEET

Company		Date	15/02/2023
Project		Item	
		Ref No.	

SNDS 65-250-75

Horizontal, double suction, single stage, axially split volute casing pump

Operating Point Data

Capacity	:	Power at Duty Point	:
Head	:	Frequency	: 50 Hz
Efficiency (%)	:	Voltage	: 380 V
Impeller Diameter	: 250 mm	Motor Power	: 75.00 kW
NPSHr	:	Nominal Speed	: 2970 rpm
Shut Off Head	: 90.1 m		

Liquid Data

Liquid	: Water	Density	: 998.30 kg/m ³
Temperature	: 20 °C	Viscosity	: 1.005 mm ² /s

Pump Data

Design	: Double suction, Single stage	Type of Coupling	: Standard
Installation	: Horizontal	Impeller Type	: Double Suction
Suction Flange	: EN 1092 PN 16-DN 100	Type of Bearing	: Grease Lubricated Bearing
Discharge Flange	: EN 1092 PN 16-DN 65	Type of Shaft Sealing	: Soft Packing
Direction Of Rotation	: Clockwise from the drive end		

Materials

Volute Casing	0.6025 / GG25 / EN-GJL-250 / ASTM A48 Class 40B
Impeller	0.6025 / GG25 / EN-GJL-250 / ASTM A48 Class 40B
Shaft	1.4021 / X20Cr13 / ASTM A276 Type 420
Bearing Housing	0.6025 / GG25 / EN-GJL-250 / ASTM A48 Class 40B
Casing Wear Ring	2.1050.01 / G-CuSn10 / ASTM B427 C90700
Shaft Protecting Sleeve	1.4021 / X20Cr13 / ASTM A276 Type 420

Operating Point Data

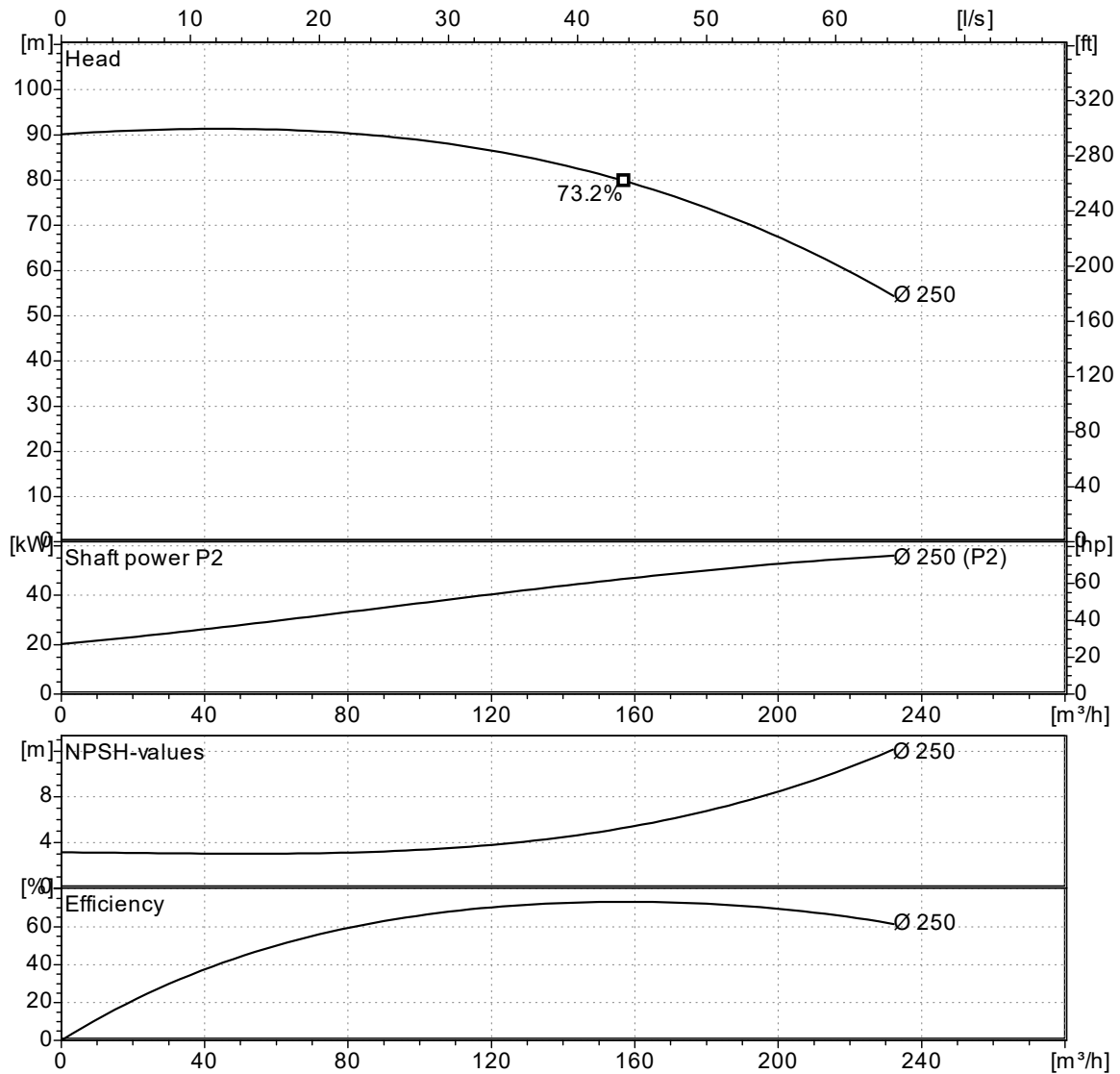
Company		Date	15/02/2023
Project		Item	
		Ref No.	

SNDS 65-250-75

Horizontal, double suction, single stage, axially split volute casing pump

Capacity:
 Head:
 Efficiency (%):
 Power at Duty Point:
 Viscosity: 1.005 mm²/s

NPSHr:
 Motor Power: 75.00 kW
 Nominal Speed: 2970 rpm
 Frequency: 50 Hz
 Density: 998.30 kg/m³



Curves compatible with ISO 9906:2012 Gr 3B

NPSHa > NPSHr + 1m

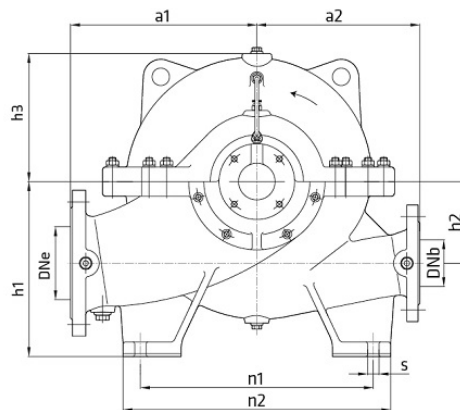
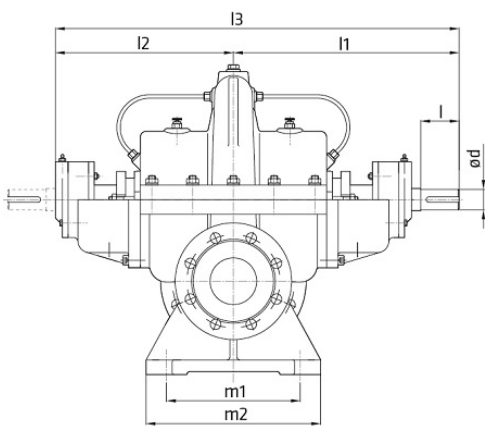
Note : The motor power is not sufficient for dotted area.

Company		Date	15/02/2023
Project		Item	
		Ref No.	

SNDS 65-250-75

Horizontal, double suction, single stage, axially split volute casing pump

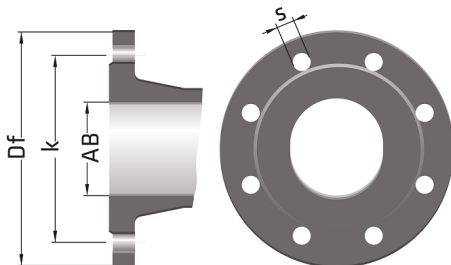
Pump Dimensions



Name	Value
a1	320
a2	280
d	35
DNb	65
DNe	100
h1	300
h2	140
h3	200
l	80
l1	400
l2	310
l3	710
m1	230
m2	300
n1	400
n2	460
s	20
W	165 kg

Note : l1 and l2 replaced each other since pump shaft rotates counter-clockw ise.

Flange Dimensions



Suction Flange	Discharge Flange
AB = 100	AB = 65
Df = 220	Df = 185
k = 180	k = 145
n = 8	n = 4
s = 19	s = 19

" n " number of holes

Company		Date	15/02/2023
Project		Item	
		Ref No.	

SNDS 65-250-75

Horizontal, double suction, single stage, axially split volute casing pump

Motor Data

Efficiency Level :
 Motor type : Three-Phase Asynchronous Motor
 Motor Power : 75.0 kW
 Rated Speed : 2950 rpm
 Voltage : 380 V
 Rated Current : 0.00 A
 Frequency : 50 Hz
 Motor Phase : 3
 Service Factor : 1.15
 Insulation Class : F
 Degree of Protection : IP 55
 Efficiency : - %
 Power factor : 0.00