

DATA SHEET

| | | | |
|---------|--|---------|------------|
| Company | | Date | 15/02/2023 |
| Project | | Item | |
| | | Ref No. | |

SNDS 65-250-11

Horizontal, double suction, single stage, axially split volute casing pump

Operating Point Data

| | | | |
|-------------------|----------|---------------------|------------|
| Capacity | : | Power at Duty Point | : |
| Head | : | Frequency | : 50 Hz |
| Efficiency (%) | : | Voltage | : 400 V |
| Impeller Diameter | : 290 mm | Motor Power | : 11.00 kW |
| NPSHr | : | Nominal Speed | : 1455 rpm |
| Shut Off Head | : 28.4 m | | |

Liquid Data

| | | | |
|-------------|---------|-----------|----------------------------|
| Liquid | : Water | Density | : 998.30 kg/m ³ |
| Temperature | : 20 °C | Viscosity | : 1.005 mm ² /s |

Pump Data

| | | | |
|-----------------------|--------------------------------|-----------------------|-----------------------------|
| Design | : Double suction, Single stage | Type of Coupling | : Standard |
| Installation | : Horizontal | Impeller Type | : Double Suction |
| Suction Flange | : EN 1092 PN 16-DN 100 | Type of Bearing | : Grease Lubricated Bearing |
| Discharge Flange | : EN 1092 PN 16-DN 65 | Type of Shaft Sealing | : Soft Packing |
| Direction Of Rotation | : Clockwise from the drive end | | |

Materials

| | |
|-------------------------|---|
| Volute Casing | 0.6025 / GG25 / EN-GJL-250 / ASTM A48 Class 40B |
| Impeller | 0.6025 / GG25 / EN-GJL-250 / ASTM A48 Class 40B |
| Shaft | 1.4021 / X20Cr13 / ASTM A276 Type 420 |
| Bearing Housing | 0.6025 / GG25 / EN-GJL-250 / ASTM A48 Class 40B |
| Casing Wear Ring | 2.1050.01 / G-CuSn10 / ASTM B427 C90700 |
| Shaft Protecting Sleeve | 1.4021 / X20Cr13 / ASTM A276 Type 420 |

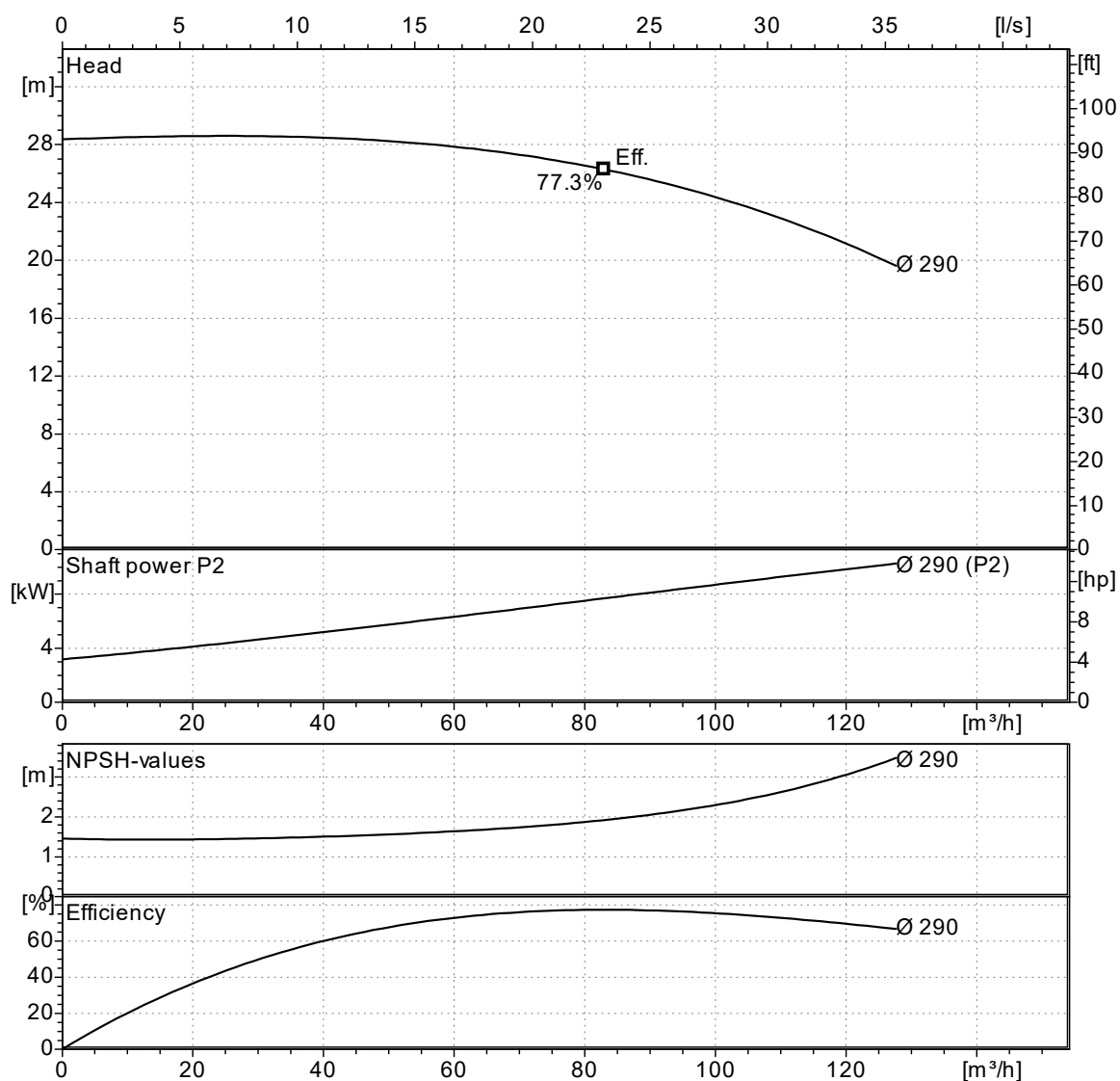
Operating Point Data

| | | | |
|---------|--|---------|------------|
| Company | | Date | 15/02/2023 |
| Project | | Item | |
| | | Ref No. | |

SNDS 65-250-11

Horizontal, double suction, single stage, axially split volute casing pump

| | | | |
|----------------------|--------------------------|----------------|--------------------------|
| Capacity: | | NPSHr: | |
| Head: | | Motor Power: | 11.00 kW |
| Efficiency (%): | | Nominal Speed: | 1455 rpm |
| Power at Duty Point: | | Frequency: | 50 Hz |
| Viscosity: | 1.005 mm ² /s | Density: | 998.30 kg/m ³ |



Curves compatible with ISO 9906:2012 Gr 3B

NPSHa > NPSHr + 1m

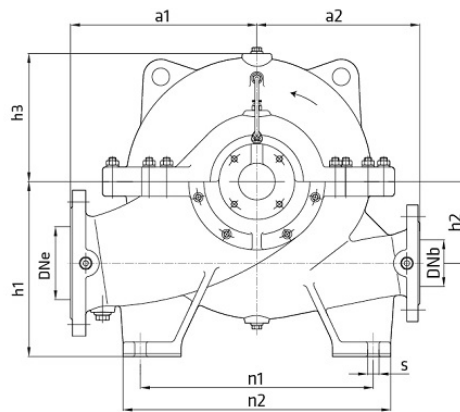
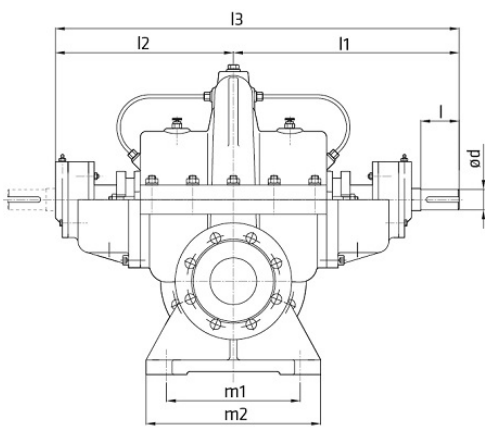
Note : The motor power is not sufficient for dotted area.

| | | | |
|---------|--|---------|------------|
| Company | | Date | 15/02/2023 |
| Project | | Item | |
| | | Ref No. | |

SNDS 65-250-11

Horizontal, double suction, single stage, axially split volute casing pump

Pump Dimensions



| Name | Value |
|------|--------|
| a1 | 320 |
| a2 | 280 |
| d | 35 |
| DNb | 65 |
| DNe | 100 |
| h1 | 300 |
| h2 | 140 |
| h3 | 200 |
| l | 80 |
| l1 | 400 |
| l2 | 310 |
| l3 | 710 |
| m1 | 230 |
| m2 | 300 |
| n1 | 400 |
| n2 | 460 |
| s | 20 |
| W | 165 kg |

Note : l1 and l2 replaced each other since pump shaft rotates counter-clockw ise.

Flange Dimensions



| Suction Flange | Discharge Flange |
|----------------|------------------|
| AB = 100 | AB = 65 |
| Df = 220 | Df = 185 |
| k = 180 | k = 145 |
| n = 8 | n = 4 |
| s = 19 | s = 19 |

" n " number of holes

| | | | |
|---------|--|---------|------------|
| Company | | Date | 15/02/2023 |
| Project | | Item | |
| | | Ref No. | |

SNDS 65-250-11

Horizontal, double suction, single stage, axially split volute casing pump

Motor Data

Efficiency Level :
 Motor type : Three-Phase Asynchronous Motor
 Motor Power : 11.0 kW
 Rated Speed : 1450 rpm
 Voltage : 400 V
 Rated Current : 0.00 A
 Frequency : 50 Hz
 Motor Phase : 3
 Service Factor : 1.15
 Insulation Class : F
 Degree of Protection : IP 55
 Efficiency : - %
 Power factor : 0.00