

DATA SHEET

Company		Date	20/02/2023
Project		Item	
		Ref No.	

SNDS 350-400-250

Horizontal, double suction, single stage, axially split volute casing pump

Operating Point Data

Capacity	:	Power at Duty Point	:
Head	:	Frequency	: 50 Hz
Efficiency (%)	:	Voltage	: 400 V
Impeller Diameter	: 376 mm	Motor Power	: 250.00 kW
NPSHr	:	Nominal Speed	: 1486 rpm
Shut Off Head	: 47.6 m		

Liquid Data

Liquid	: Water	Density	: 998.30 kg/m ³
Temperature	: 20 °C	Viscosity	: 1.005 mm ² /s

Pump Data

Design	: Double suction, Single stage	Type of Coupling	: Standard
Installation	: Horizontal	Impeller Type	: Double Suction
Suction Flange	: EN 1092 PN 16-DN 500	Type of Bearing	: Grease Lubricated Bearing
Discharge Flange	: EN 1092 PN 16-DN 350	Type of Shaft Sealing	: Soft Packing
Direction Of Rotation	: Clockwise from the drive end		

Materials

Volute Casing	0.6025 / GG25 / EN-GJL-250 / ASTM A48 Class 40B
Impeller	0.6025 / GG25 / EN-GJL-250 / ASTM A48 Class 40B
Shaft	1.4021 / X20Cr13 / ASTM A276 Type 420
Bearing Housing	0.6025 / GG25 / EN-GJL-250 / ASTM A48 Class 40B
Casing Wear Ring	2.1050.01 / G-CuSn10 / ASTM B427 C90700
Shaft Protecting Sleeve	1.4021 / X20Cr13 / ASTM A276 Type 420

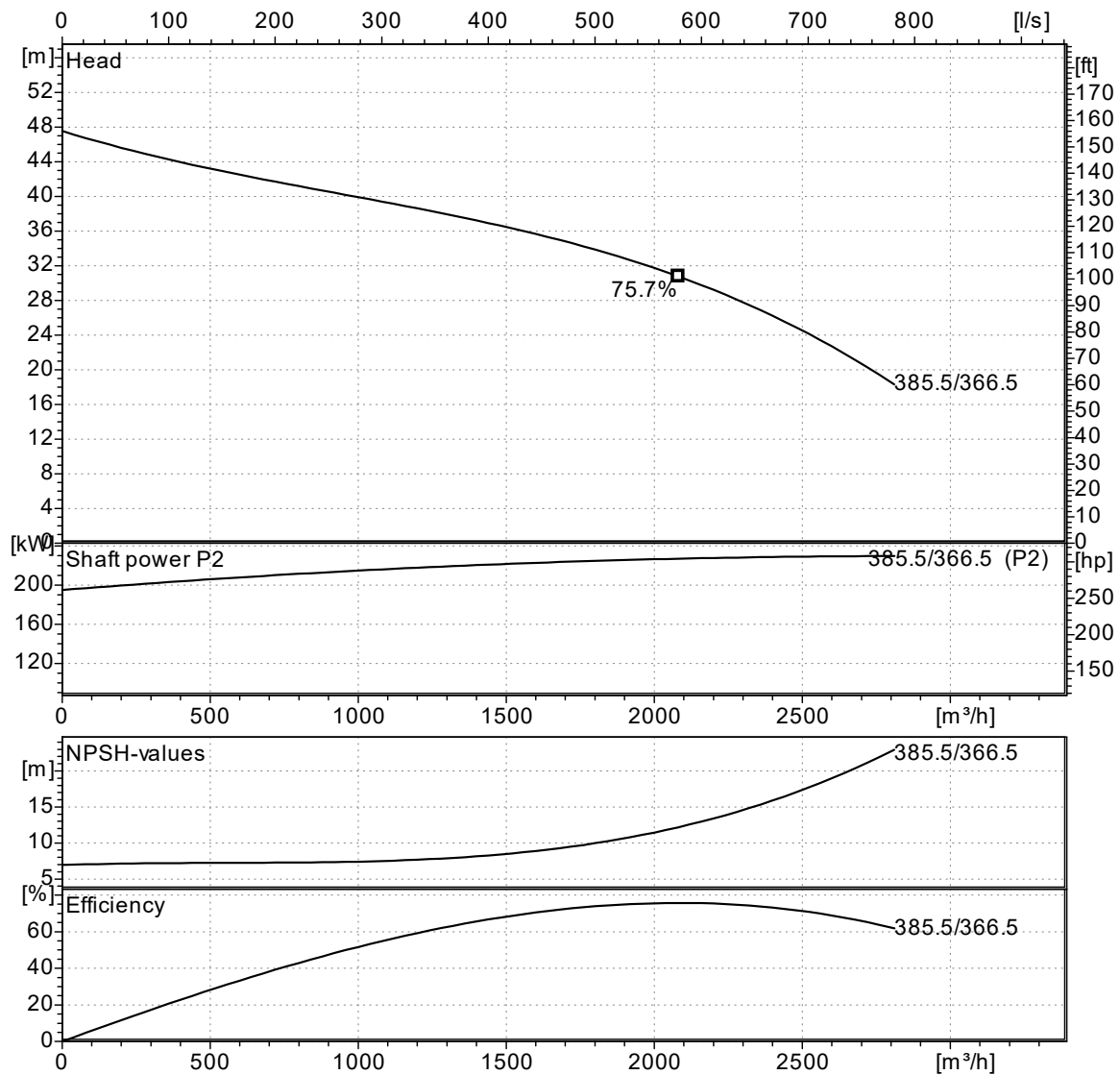
Operating Point Data

Company		Date	20/02/2023
Project		Item	
		Ref No.	

SNDS 350-400-250

Horizontal, double suction, single stage, axially split volute casing pump

Capacity:		NPSHr:	
Head:		Motor Power:	250.00 kW
Efficiency (%):		Nominal Speed:	1486 rpm
Power at Duty Point:		Frequency:	50 Hz
Viscosity:	1.005 mm ² /s	Density:	998.30 kg/m ³



Curves compatible with ISO 9906:2012 Gr 3B

NPSHa > NPSHr + 1m

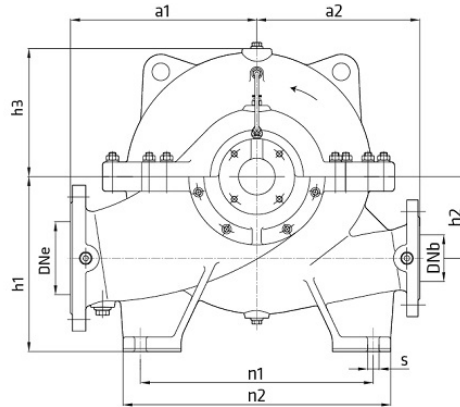
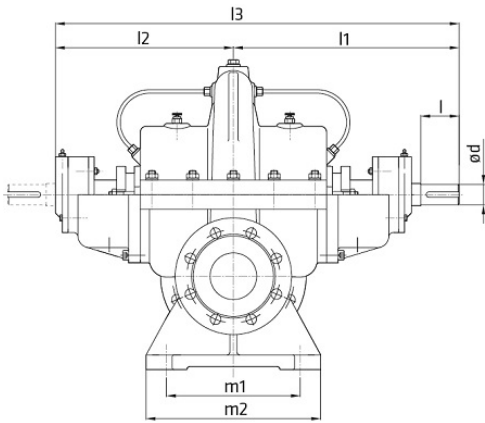
Note : The motor power is not sufficient for dotted area.

Company		Date	20/02/2023
Project		Item	
		Ref No.	

SNDS 350-400-250

Horizontal, double suction, single stage, axially split volute casing pump

Pump Dimensions



Name	Value
a1	800
a2	600
d	75
DNb	350
DNe	500
h1	800
h2	380
h3	500
l	140
l1	770
l2	615
l3	1385
m1	500
m2	600
n1	800
n2	960
s	26
W	1400 kg

Note : l1 and l2 replaced each other since pump shaft rotates counter-clockw ise.

Flange Dimensions



Suction Flange

AB = 500
Df = 715
k = 650
n = 20
s = 34

Discharge Flange

AB = 350
Df = 520
k = 470
n = 16
s = 28

" n " number of holes

Company		Date	20/02/2023
Project		Item	
		Ref No.	

SNDS 350-400-250

Horizontal, double suction, single stage, axially split volute casing pump

Motor Data

Efficiency Level :
 Motor type : Three-Phase Asynchronous Motor
 Motor Power : 250.0 kW
 Rated Speed : 1450 rpm
 Voltage : 400 V
 Rated Current : 0.00 A
 Frequency : 50 Hz
 Motor Phase : 3
 Service Factor : 1.15
 Insulation Class : F
 Degree of Protection : IP 55
 Efficiency : - %
 Power factor : 0.00