

Product description

SN4ER65-400-F-GR-TM-GG

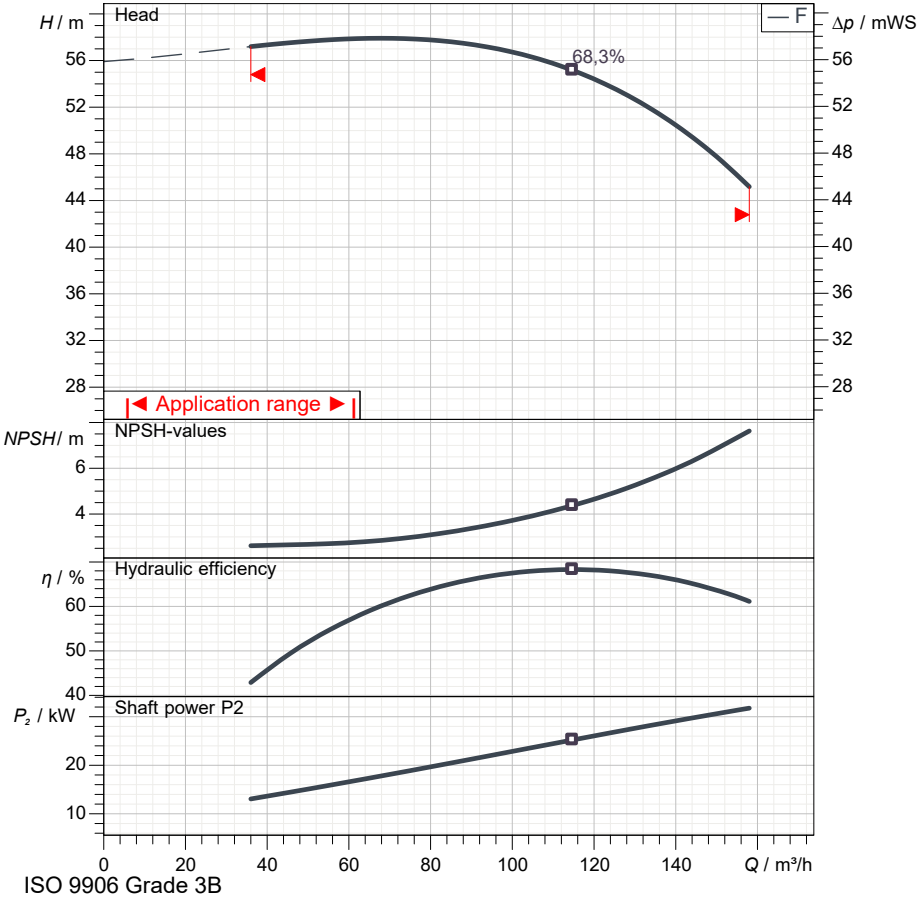
MEI ≥ 0,40

Pos.no	Description	Item no	Qty.	UP / €	TP / €
1	High efficiency centrifugal pump according to EN 733 (DIN 24255)				
2	Centrifugal pump: SN4ER65-400-F-GR-TM-GG		1	Price on req.	Price on req.
3	<p>Pump bodies</p> <p>Horizontal single-stage centrifugal pump with axial inlet, scroll outlet with upwards delivery flange. Dimensions and performance according to EN 733 standards.</p> <p>Duty point</p> <p>Flow : / Head :</p> <p>Pump operating data</p> <p>Impeller diameter : 400 mm / Speed : 1.450 1/min</p> <p>Flow : / Head :</p> <p>Shaft power P2 : / Efficiency :</p> <p>Head (Q = 0) : 55,91 m</p> <p>Pump body : Cast iron</p> <p>Impeller : Carbon steel + Cataphoresis</p> <p>Wear ring : Cast iron</p> <p>Support : Cast iron</p> <p>Bearing support : Cast iron</p> <p>Shaft : Stainless steel</p> <p>Max. solid contents : 40 g/m³</p> <p>Max. water temperature : 90 °C</p> <p>Max. running time with Q=0 : 2 min</p>				
4	Shaft seal: Mechanical seal		1		
5	<p>Cover : Cast iron</p> <p>Spacer : Stainless steel</p> <p>Seal face : Graphite</p> <p>Seat : Ceramic</p> <p>Seal ring : NBR</p> <p>Spring : AISI 304 stainless steel</p>				
6	Bearing bracket: Grease lubrication		1		
7	Bearings lubrication : Graese				

Technical data

SN4ER65-400-F-GR-TM-GG

MEI ≥ 0,40



Operating data specification	
Capacity	
Head	
Fluid	Pure water
Type of installation	<Single head pump>

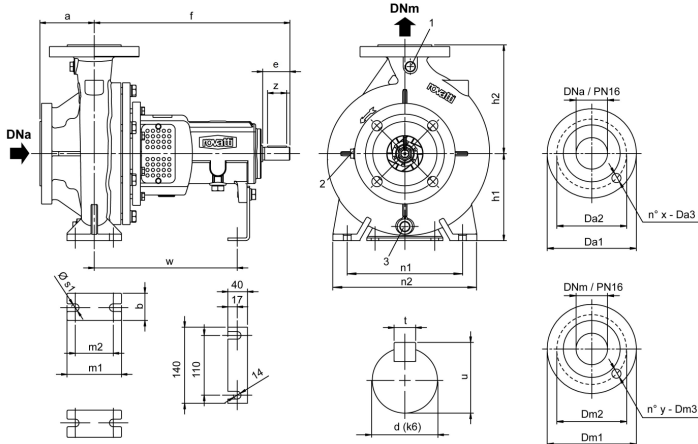
Pump operating data	
Design	SN4ER65-400-F-GR-TM-GC
Impeller Ø	400 mm
Speed	1.450 1/min
Flow	
Head	
Shaft power P2	
Efficiency	
Head (Q=0)	55,9 m
Non return valve loss	

Electric motor technical data	
Design	
Rated power	
Frequency	
Number of poles	
Nominal speed	
Rated voltage	
Starting mode	
Rated current	
Insulation class	
Degree of protection	

Use limits	
Max N° startings/hour	
Max. running time with Q=0	2 min
Max. solids contents	40 g/m³
Max. pumped liquid temperature	90 °C
Maximum density	998 kg/m³
Maximum viscosity	1 mm²/s

Materials	
Pump body	Cast iron
Impeller	Carbon steel + Cataphoresis
Wear ring	Cast iron
Support	Cast iron
Bearing support	Cast iron
Shaft	Stainless steel

Shaft seal	
Cover	Cast iron
Spacer	Stainless steel
Seal face	Graphite
Seat	Ceramic
Seal ring	NBR
Spring	AISI 304 stainless steel



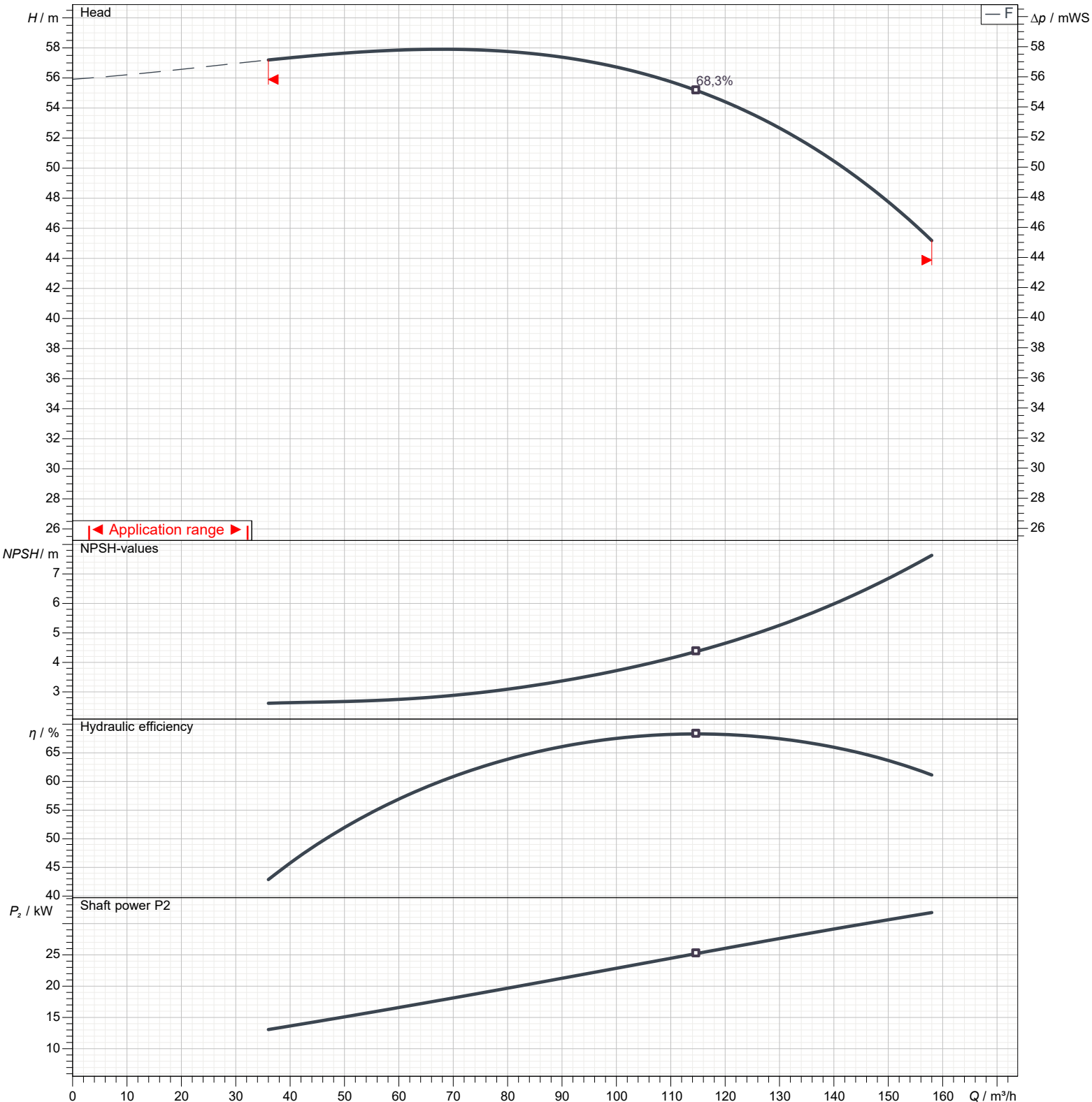
Dimensions in					mm			Total weight		148 kg	
1	65-400	Dm2	145	m1	160	x	8				
a	125	Dm3	18	m2	120	y	4				
b	80	DNa	80	n1	355	z	90				
d	42	DNrr	65	n2	435						
Da1	200	e	110	s1	18						
Da2	160	f	530	t	12						
Da3	18	h1	280	u	45						
Dm1	185	h2	355	w	370						

Performance curves

SN4ER65-400-F-GR-TM-GG

MEI ≥ 0,40

Performances				
Speed		1.450 1/min	Density	998 kg/m ³
Flow	Min.	36 m ³ /h	Viscosity	1 mm ² /s
	Max.	158 m ³ /h	Temperature	20 °C
Efficiency	Max.	115 m ³ /h	Tolerances	ISO 9906 Grade 3B



Types of installation

SN4ER65-400-F-GR-TM-GG

MEI ≥ 0,40



Total weight		148 kg			Dimensions in mm	
1	R65-400		t	12		
a	125		u	45		
b	80		w	370		
d	42		x	8		
Da1	200		y	4		
Da2	160		z	90		
Da3	18					
Dm1	185					
Dm2	145					
Dm3	18					
DNa	80					
DNm	65					
e	110					
f	530					
h1	280					
h2	355					
m1	160					
m2	120					
n1	355					
n2	435					
s1	18					