

## Product description

SN4ER65-400-E-GR-TM-GG

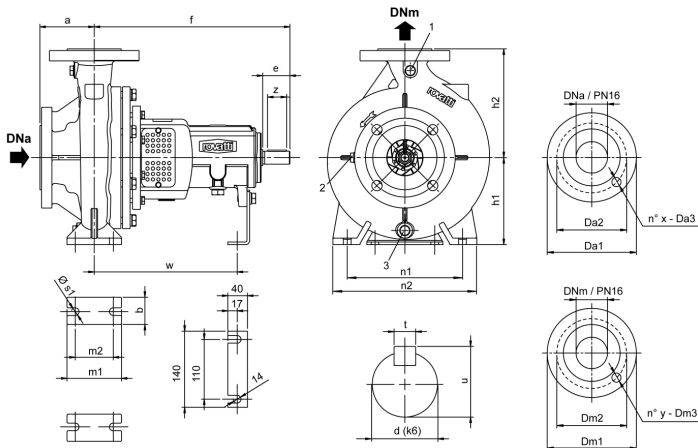
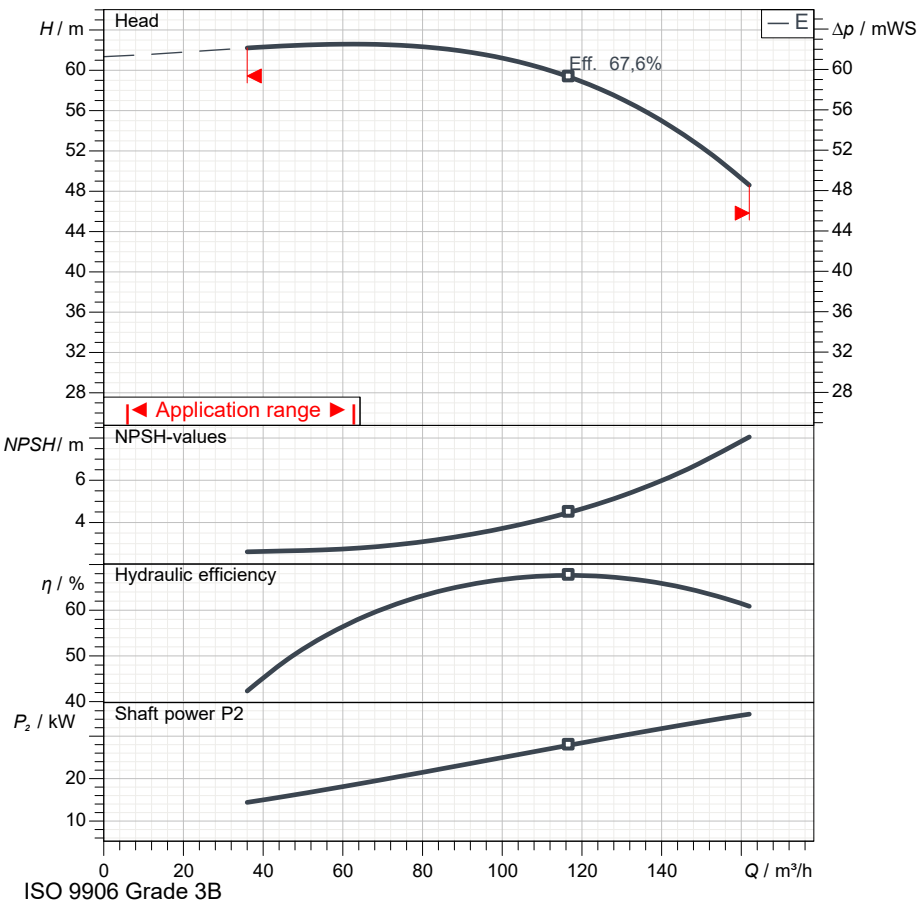
MEI ≥ 0,40

Pos.no	Description	Item no	Qty.	UP / €	TP / €
1	<b>High efficiency centrifugal pump according to EN 733 (DIN 24255)</b>				
2	Centrifugal pump: SN4ER65-400-E-GR-TM-GG		1	Price on req.	Price on req.
3	<p>Pump bodies</p> <p>Horizontal single-stage centrifugal pump with axial inlet, scroll outlet with upwards delivery flange. Dimensions and performance according to EN 733 standards.</p> <p>Duty point</p> <p>Flow : / Head :</p> <p>Pump operating data</p> <p>Impeller diameter : 420 mm / Speed : 1.450 1/min</p> <p>Flow : / Head :</p> <p>Shaft power P2 : / Efficiency :</p> <p>Head (Q = 0) : 61,35 m</p> <p>Pump body : Cast iron</p> <p>Impeller : Carbon steel + Cataphoresis</p> <p>Wear ring : Cast iron</p> <p>Support : Cast iron</p> <p>Bearing support : Cast iron</p> <p>Shaft : Stainless steel</p> <p>Max. solid contents : 40 g/m<sup>3</sup></p> <p>Max. water temperature : 90 °C</p> <p>Max. running time with Q=0 : 2 min</p>				
4	Shaft seal: Mechanical seal		1		
5	<p>Cover : Cast iron</p> <p>Spacer : Stainless steel</p> <p>Seal face : Graphite</p> <p>Seat : Ceramic</p> <p>Seal ring : NBR</p> <p>Spring : AISI 304 stainless steel</p>				
6	Bearing bracket: Grease lubrication		1		
7	Bearings lubrication : Graese				

## Technical data

### SN4ER65-400-E-GR-TM-GG

### MEI ≥ 0,40



Dimensions in				mm		Total weight		148 kg	
1	65-400	Dm2	145	m1	160	x	8		
a	125	Dm3	18	m2	120	y	4		
b	80	DNa	80	n1	355	z	90		
d	42	DNrr	65	n2	435				
Da1	200	e	110	s1	18				
Da2	160	f	530	t	12				
Da3	18	h1	280	u	45				
Dm1	185	h2	355	w	370				

#### Operating data specification

Capacity	
Head	
Fluid	Pure water
Type of installation	<Single head pump>

#### Pump operating data

Design	SN4ER65-400-E-GR-TM-GC
Impeller Ø	420 mm
Speed	1.450 1/min
Flow	
Head	
Shaft power P2	
Efficiency	
Head (Q=0)	61,4 m
Non return valve loss	

#### Electric motor technical data

Design	
Rated power	
Frequency	
Number of poles	
Nominal speed	
Rated voltage	
Starting mode	
Rated current	
Insulation class	
Degree of protection	

#### Use limits

Max N° startings/hour	
Max. running time with Q=0	2 min
Max. solids contents	40 g/m³
Max. pumped liquid temperature	90 °C
Maximum density	998 kg/m³
Maximum viscosity	1 mm²/s

#### Materials

Pump body	Cast iron
Impeller	Carbon steel + Cataphoresis
Wear ring	Cast iron
Support	Cast iron
Bearing support	Cast iron
Shaft	Stainless steel

#### Shaft seal

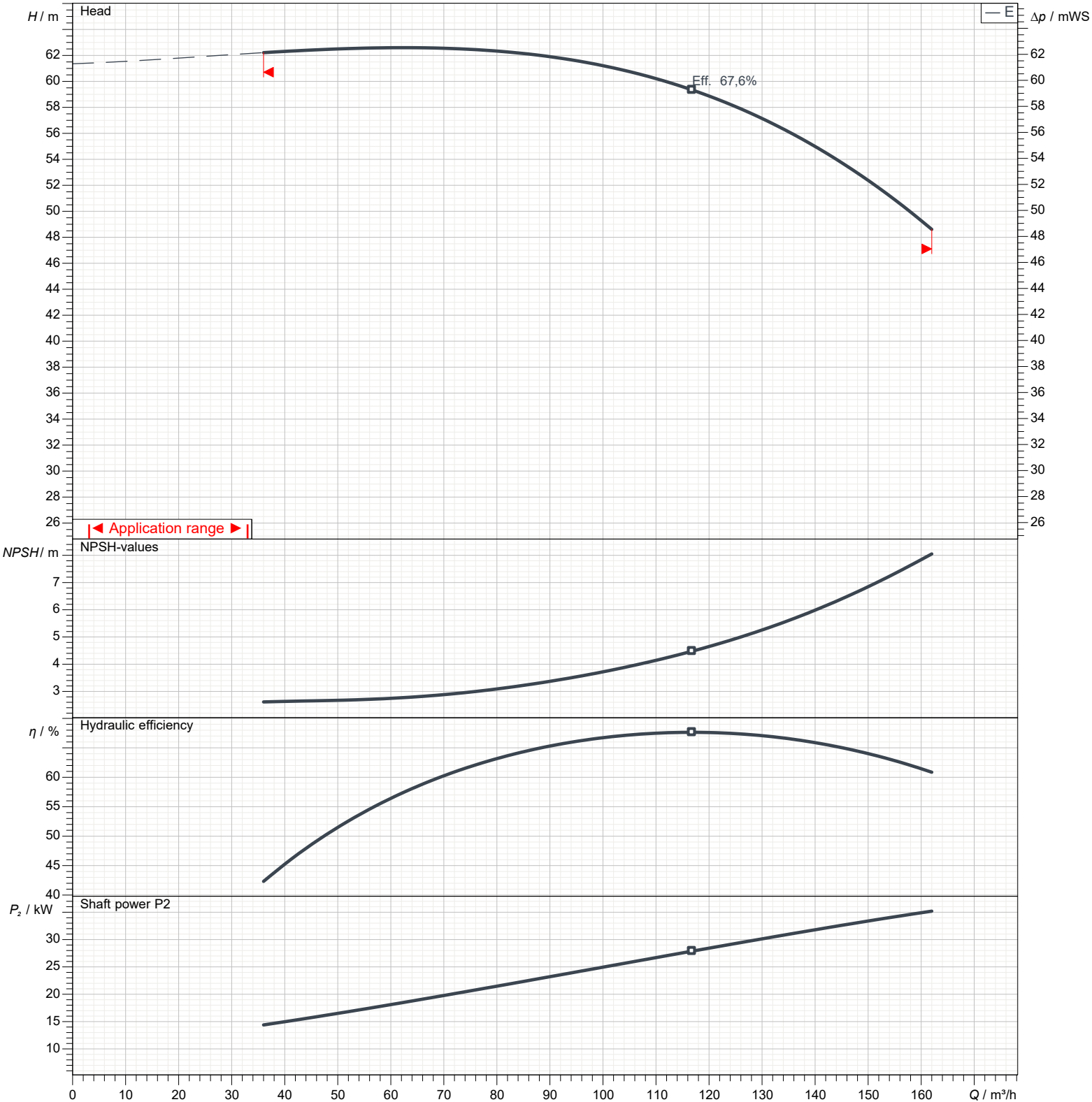
Cover	Cast iron
Spacer	Stainless steel
Seal face	Graphite
Seat	Ceramic
Seal ring	NBR
Spring	AISI 304 stainless steel

## Performance curves

SN4ER65-400-E-GR-TM-GG

MEI ≥ 0,40

Performances				
Speed		1.450 1/min	Density	998 kg/m <sup>3</sup>
Flow	Min.	36 m <sup>3</sup> /h	Viscosity	1 mm <sup>2</sup> /s
	Max.	162 m <sup>3</sup> /h		
Efficiency	Max.	117 m <sup>3</sup> /h	Temperature	20 °C
			Tolerances	ISO 9906 Grade 3B



## Types of installation

SN4ER65-400-E-GR-TM-GG

MEI ≥ 0,40



Total weight		148 kg			Dimensions in mm	
1		R65-400	t		12	
a		125	u		45	
b		80	w		370	
d		42	x		8	
Da1		200	y		4	
Da2		160	z		90	
Da3		18				
Dm1		185				
Dm2		145				
Dm3		18				
DNa		80				
DNm		65				
e		110				
f		530				
h1		280				
h2		355				
m1		160				
m2		120				
n1		355				
n2		435				
s1		18				