

Product description

SN4EC100-315-L-GR-TM-GG

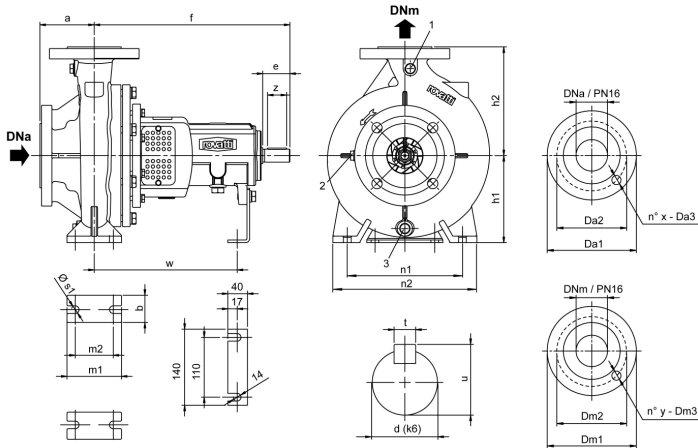
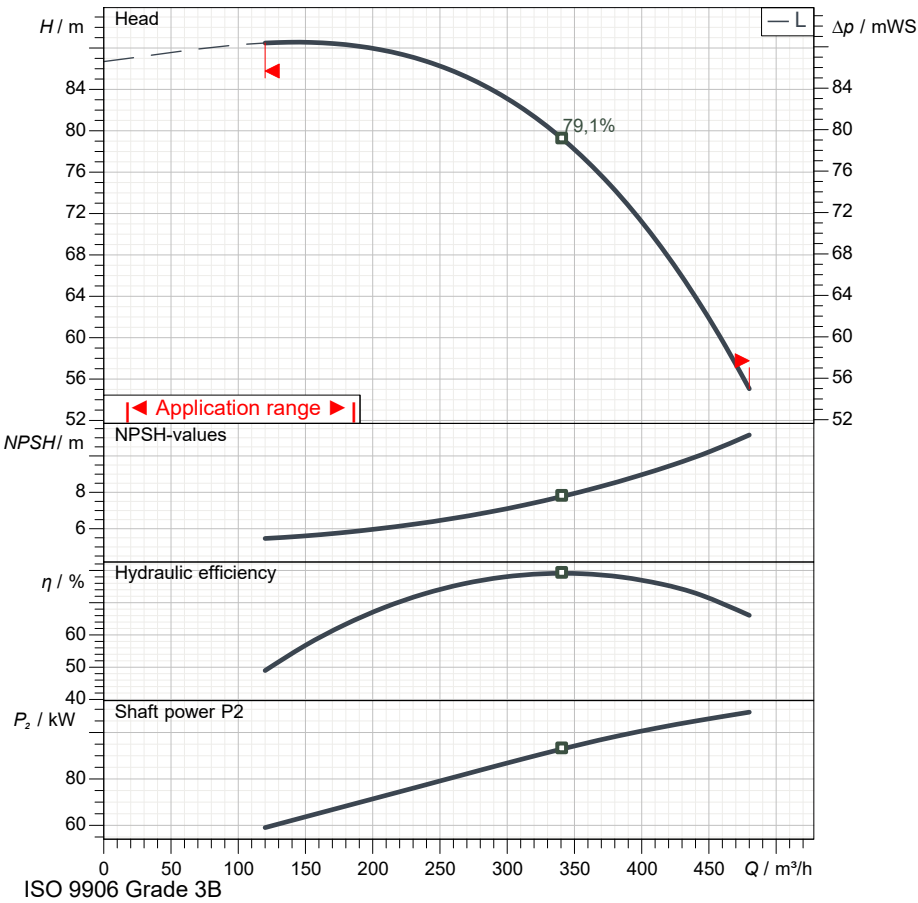
MEI ≥ 0,40

Pos.no	Description	Item no	Qty.	UP / €	TP / €
1	High efficiency centrifugal pump according to EN 733 (DIN 24255)				
2	Centrifugal pump: SN4EC100-315-L-GR-TM-GG		1	Price on req.	Price on req.
3	<p>Pump bodies</p> <p>Horizontal single-stage centrifugal pump with axial inlet, scroll outlet with upwards delivery flange. Dimensions and performance according to EN 733 standards.</p> <p>Duty point Flow : / Head :</p> <p>Pump operating data Impeller diameter : 255 mm / Speed : 2.900 1/min Flow : / Head : Shaft power P2 : / Efficiency : Head (Q = 0) : 86,69 m</p> <p>Pump body : Cast iron Impeller : Carbon steel + Cataphoresis Wear ring : Cast iron Support : Cast iron Bearing support : Cast iron Shaft : Stainless steel</p> <p>Max. solid contents : 60 g/m³ Max. water temperature : 90 °C Max. running time with Q=0 : 2 min</p>				
4	Shaft seal: Mechanical seal		1		
5	<p>Cover : Cast iron</p> <p>Spacer : Stainless steel</p> <p>Seal face : Graphite</p> <p>Seat : Ceramic</p> <p>Seal ring : NBR</p> <p>Spring : AISI 304 stainless steel</p>				
6	Bearing bracket: Grease lubrication		1		
7	Bearings lubrication : Graese				

Technical data

SN4EC100-315-L-GR-TM-GG

MEI ≥ 0,40



Dimensions in				mm				Total weight				124 kg			
1	00-315	Dm2	180	m1	160	x	8								
a	140	Dm3	18	m2	120	y	8								
b	80	DNa	125	n1	315	z	90								
d	42	DNrr	100	n2	400										
Da1	250	e	110	s1	18										
Da2	210	f	530	t	12										
Da3	18	h1	250	u	45										
Dm1	220	h2	315	w	370										

Operating data specification

Capacity	
Head	
Fluid	Pure water
Type of installation	<Single head pump>

Pump operating data

Design	SN4EC100-315-L-GR-TM-G
Impeller Ø	255 mm
Speed	2.900 1/min
Flow	
Head	
Shaft power P2	
Efficiency	
Head (Q=0)	86,7 m
Non return valve loss	

Electric motor technical data

Design	
Rated power	
Frequency	
Number of poles	
Nominal speed	
Rated voltage	
Starting mode	
Rated current	
Insulation class	
Degree of protection	

Use limits

Max N° startings/hour	
Max. running time with Q=0	2 min
Max. solids contents	60 g/m³
Max. pumped liquid temperature	90 °C
Maximum density	998 kg/m³
Maximum viscosity	1 mm²/s

Materials

Pump body	Cast iron
Impeller	Carbon steel + Cataphoresis
Wear ring	Cast iron
Support	Cast iron
Bearing support	Cast iron
Shaft	Stainless steel

Shaft seal

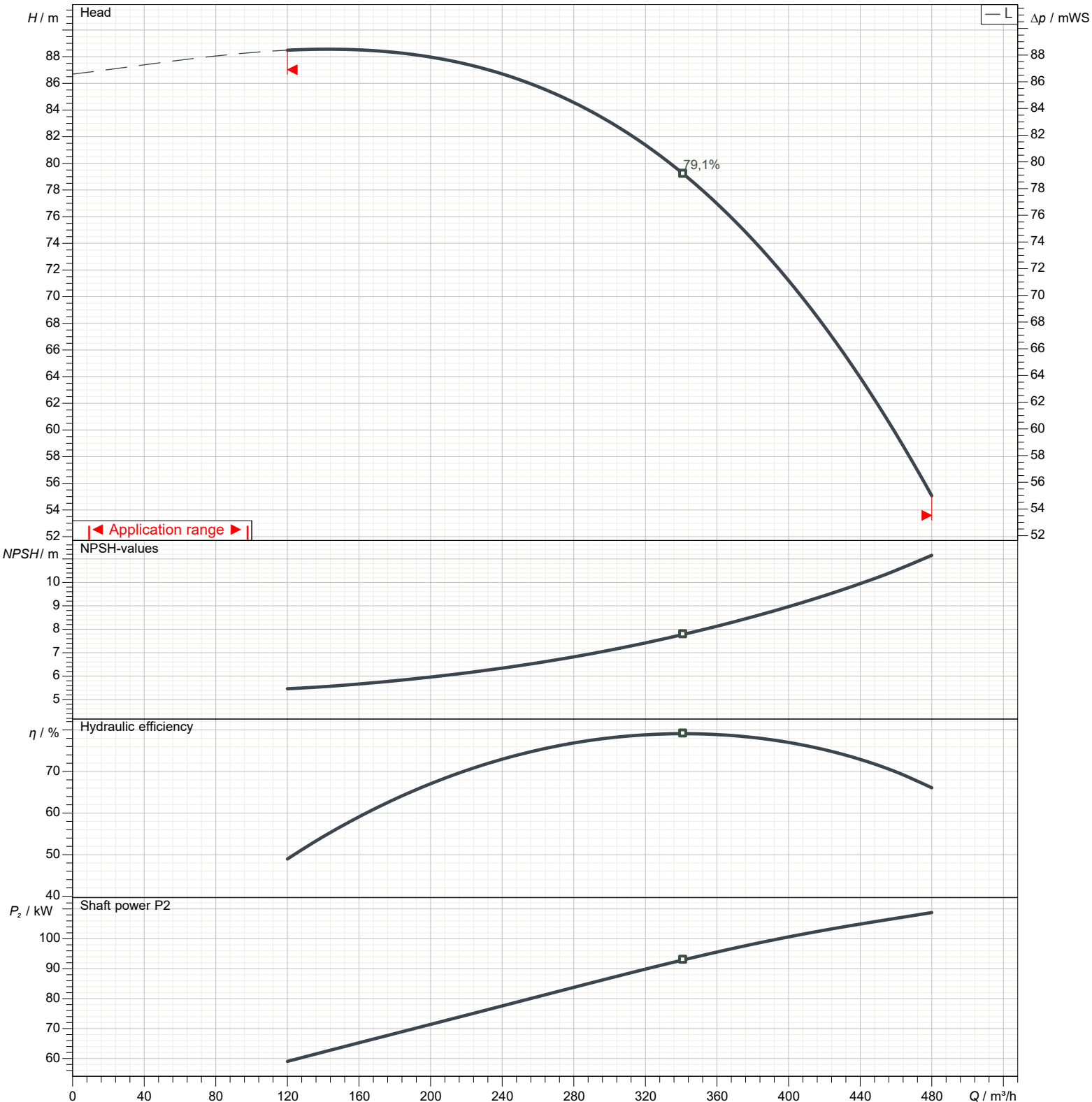
Cover	Cast iron
Spacer	Stainless steel
Seal face	Graphite
Seat	Ceramic
Seal ring	NBR
Spring	AISI 304 stainless steel

Performance curves

SN4EC100-315-L-GR-TM-GG

MEI ≥ 0,40

Performances				
Speed		2.900 1/min	Density	998 kg/m ³
Flow	Min.	120 m ³ /h	Viscosity	1 mm ² /s
	Max.	480 m ³ /h	Temperature	20 °C
Efficiency	Max.	341 m ³ /h	Tolerances	ISO 9906 Grade 3B



Types of installation

SN4EC100-315-L-GR-TM-GG

MEI ≥ 0,40



Total weight		124 kg			Dimensions in mm	
1	C100-315		t	12		
a	140		u	45		
b	80		w	370		
d	42		x	8		
Da1	250		y	8		
Da2	210		z	90		
Da3	18					
Dm1	220					
Dm2	180					
Dm3	18					
DNa	125					
DNm	100					
e	110					
f	530					
h1	250					
h2	315					
m1	160					
m2	120					
n1	315					
n2	400					
s1	18					