

Product description

SN4E150-315-H-GR-TM-GG

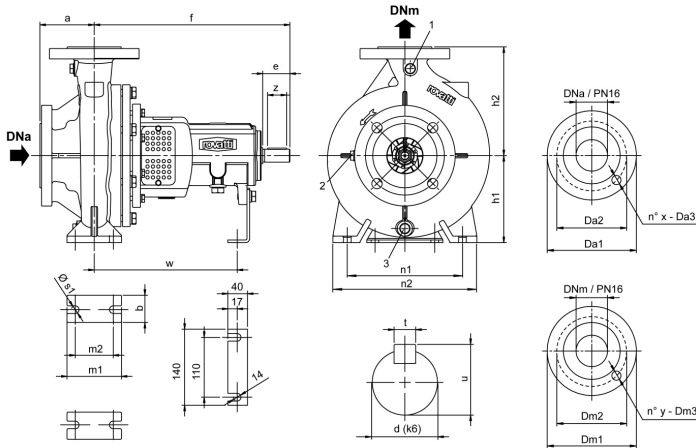
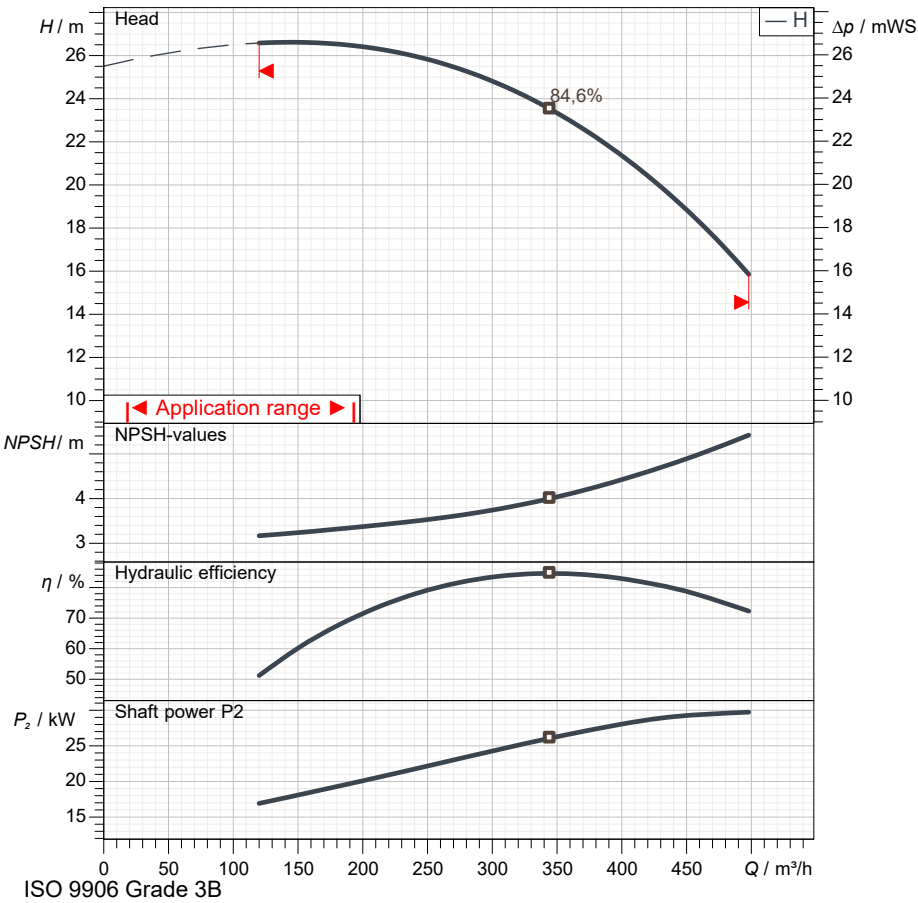
MEI ≥ 0,40

Pos.no	Description	Item no	Qty.	UP / €	TP / €
1	High efficiency centrifugal pump according to EN 733 (DIN 24255)				
2	Centrifugal pump: SN4E150-315-H-GR-TM-GG		1	Price on req.	Price on req.
3	<p>Pump bodies</p> <p>Horizontal single-stage centrifugal pump with axial inlet, scroll outlet with upwards delivery flange. Dimensions and performance according to EN 733 standards.</p> <p>Duty point</p> <p>Flow : / Head :</p> <p>Pump operating data</p> <p>Impeller diameter : 285 mm / Speed : 1.450 1/min</p> <p>Flow : / Head :</p> <p>Shaft power P2 : / Efficiency :</p> <p>Head (Q = 0) : 25,51 m</p> <p>Pump body : Cast iron</p> <p>Impeller : Carbon steel + Cataphoresis</p> <p>Wear ring : Cast iron</p> <p>Support : Cast iron</p> <p>Bearing support : Cast iron</p> <p>Shaft : Stainless steel</p> <p>Max. solid contents : 60 g/m³</p> <p>Max. water temperature : 90 °C</p> <p>Max. running time with Q=0 : 2 min</p>				
4	Shaft seal: Mechanical seal		1		
5	<p>Cover : Cast iron</p> <p>Spacer : Stainless steel</p> <p>Seal face : Graphite</p> <p>Seat : Ceramic</p> <p>Seal ring : NBR</p> <p>Spring : AISI 304 stainless steel</p>				
6	Bearing bracket: Grease lubrication		1		
7	Bearings lubrication : Graese				

Technical data

SN4E150-315-H-GR-TM-GG

MEI ≥ 0,40



Dimensions in				mm				Total weight				159 kg			
1	50-315	Dm2	240	m1	200	x	12								
a	160	Dm3	22	m2	150	y	8								
b	100	DNa	200	n1	450	z	90								
d	42	DNrr	150	n2	550										
Da1	340	e	110	s1	23										
Da2	295	f	530	t	12										
Da3	22	h1	280	u	45										
Dm1	285	h2	400	w	370										

Operating data specification

Capacity	
Head	
Fluid	Pure water
Type of installation	<Single head pump>

Pump operating data

Design	SN4E150-315-H-GR-TM-GC
Impeller Ø	285 mm
Speed	1.450 1/min
Flow	
Head	
Shaft power P2	
Efficiency	
Head (Q=0)	25,5 m
Non return valve loss	

Electric motor technical data

Design	
Rated power	
Frequency	
Number of poles	
Nominal speed	
Rated voltage	
Starting mode	
Rated current	
Insulation class	
Degree of protection	

Use limits

Max N° startings/hour	
Max. running time with Q=0	2 min
Max. solids contents	60 g/m³
Max. pumped liquid temperature	90 °C
Maximum density	998 kg/m³
Maximum viscosity	1 mm²/s

Materials

Pump body	Cast iron
Impeller	Carbon steel + Cataphoresis
Wear ring	Cast iron
Support	Cast iron
Bearing support	Cast iron
Shaft	Stainless steel

Shaft seal

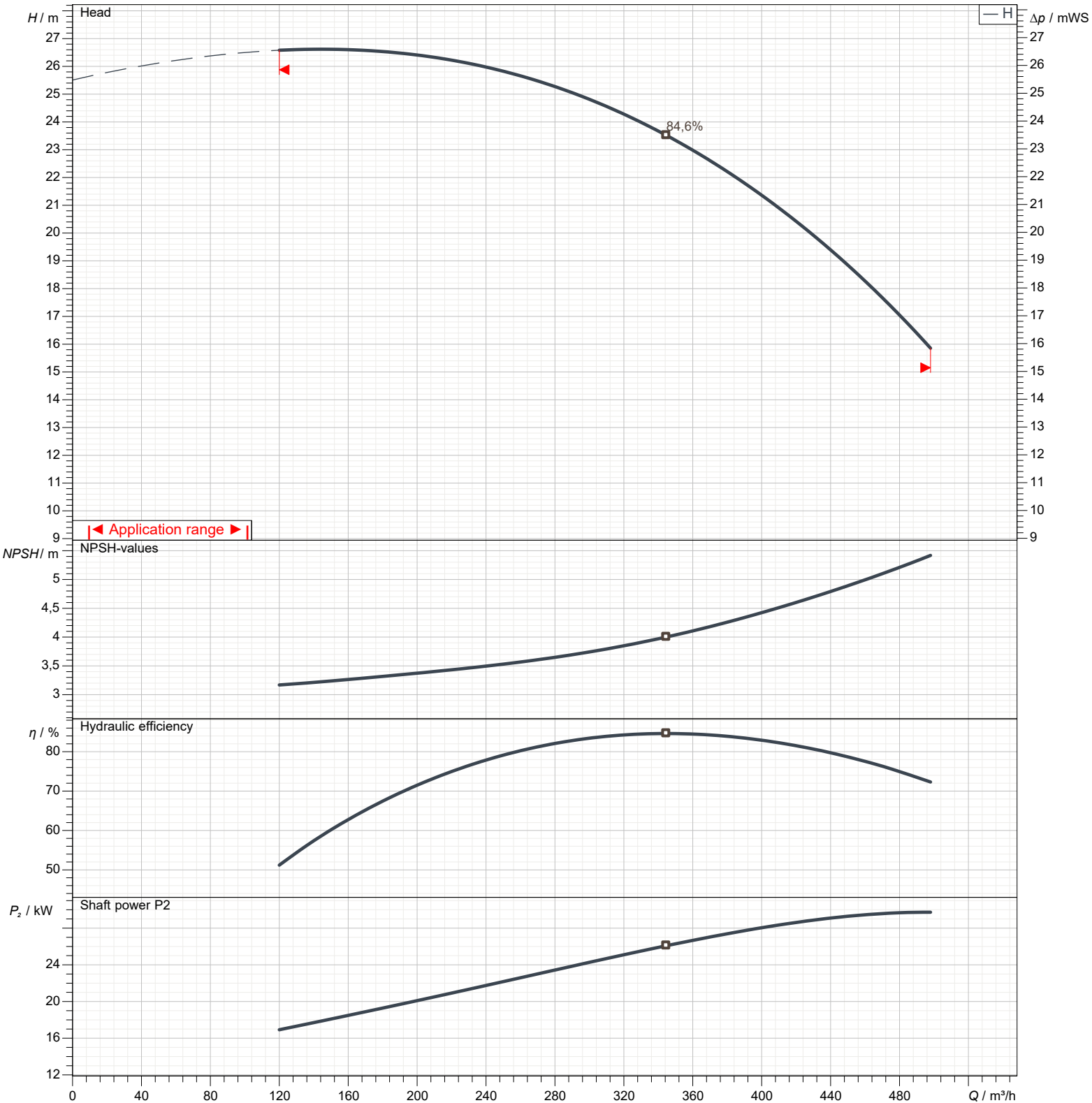
Cover	Cast iron
Spacer	Stainless steel
Seal face	Graphite
Seat	Ceramic
Seal ring	NBR
Spring	AISI 304 stainless steel

Performance curves

SN4E150-315-H-GR-TM-GG

MEI ≥ 0,40

Performances				
Speed		1.450 1/min	Density	998 kg/m ³
Flow	Min.	120 m ³ /h	Viscosity	1 mm ² /s
	Max.	498 m ³ /h		
Efficiency	Max.	345 m ³ /h	Temperature	20 °C
				Tolerances



Types of installation

SN4E150-315-H-GR-TM-GG

MEI ≥ 0,40



Total weight		159 kg			Dimensions in mm	
1		150-315	t		12	
a		160	u		45	
b		100	w		370	
d		42	x		12	
Da1		340	y		8	
Da2		295	z		90	
Da3		22				
Dm1		285				
Dm2		240				
Dm3		22				
DNa		200				
DNm		150				
e		110				
f		530				
h1		280				
h2		400				
m1		200				
m2		150				
n1		450				
n2		550				
s1		23				