

Product description

SN4E125-400-I-GR-TM-GG

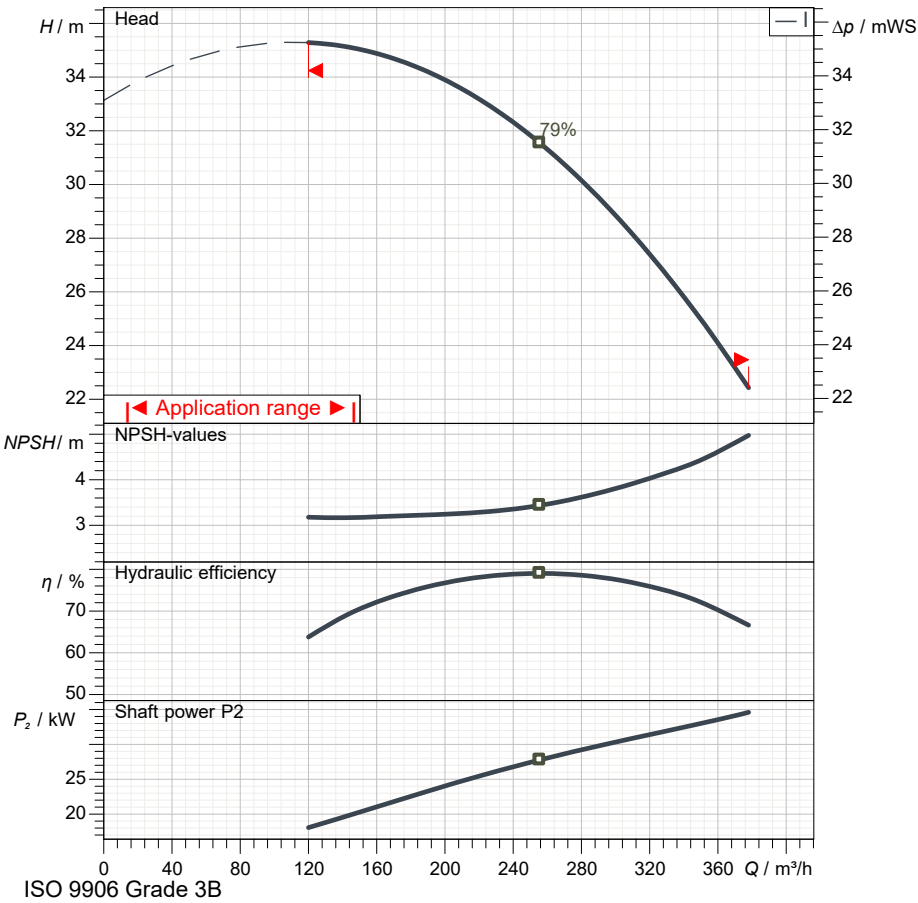
MEI ≥ 0,40

Pos.no	Description	Item no	Qty.	UP / €	TP / €
1	High efficiency centrifugal pump according to EN 733 (DIN 24255)				
2	Centrifugal pump: SN4E125-400-I-GR-TM-GG		1	Price on req.	Price on req.
3	<p>Pump bodies</p> <p>Horizontal single-stage centrifugal pump with axial inlet, scroll outlet with upwards delivery flange. Dimensions and performance according to EN 733 standards.</p> <p>Duty point</p> <p>Flow : / Head :</p> <p>Pump operating data</p> <p>Impeller diameter : 320 mm / Speed : 1.450 1/min</p> <p>Flow : / Head :</p> <p>Shaft power P2 : / Efficiency :</p> <p>Head (Q = 0) : 33,13 m</p> <p>Pump body : Cast iron</p> <p>Impeller : Carbon steel + Cataphoresis</p> <p>Wear ring : Cast iron</p> <p>Support : Cast iron</p> <p>Bearing support : Cast iron</p> <p>Shaft : Stainless steel</p> <p>Max. solid contents : 60 g/m³</p> <p>Max. water temperature : 90 °C</p> <p>Max. running time with Q=0 : 2 min</p>				
4	Shaft seal: Mechanical seal		1		
5	<p>Cover : Cast iron</p> <p>Spacer : Stainless steel</p> <p>Seal face : Graphite</p> <p>Seat : Ceramic</p> <p>Seal ring : NBR</p> <p>Spring : AISI 304 stainless steel</p>				
6	Bearing bracket: Grease lubrication		1		
7	Bearings lubrication : Graese				

Technical data

SN4E125-400-I-GR-TM-GG

MEI ≥ 0,40



Operating data specification	
Capacity	
Head	
Fluid	Pure water
Type of installation	<Single head pump>

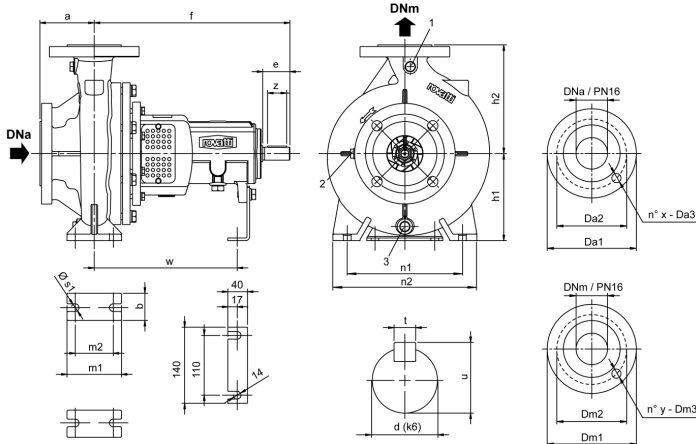
Pump operating data	
Design	SN4E125-400-I-GR-TM-GG
Impeller Ø	320 mm
Speed	1.450 1/min
Flow	
Head	
Shaft power P2	
Efficiency	
Head (Q=0)	33,1 m
Non return valve loss	

Electric motor technical data	
Design	
Rated power	
Frequency	
Number of poles	
Nominal speed	
Rated voltage	
Starting mode	
Rated current	
Insulation class	
Degree of protection	

Use limits	
Max N° startings/hour	
Max. running time with Q=0	2 min
Max. solids contents	60 g/m³
Max. pumped liquid temperature	90 °C
Maximum density	998 kg/m³
Maximum viscosity	1 mm²/s

Materials	
Pump body	Cast iron
Impeller	Carbon steel + Cataphoresis
Wear ring	Cast iron
Support	Cast iron
Bearing support	Cast iron
Shaft	Stainless steel

Shaft seal	
Cover	Cast iron
Spacer	Stainless steel
Seal face	Graphite
Seat	Ceramic
Seal ring	NBR
Spring	AISI 304 stainless steel



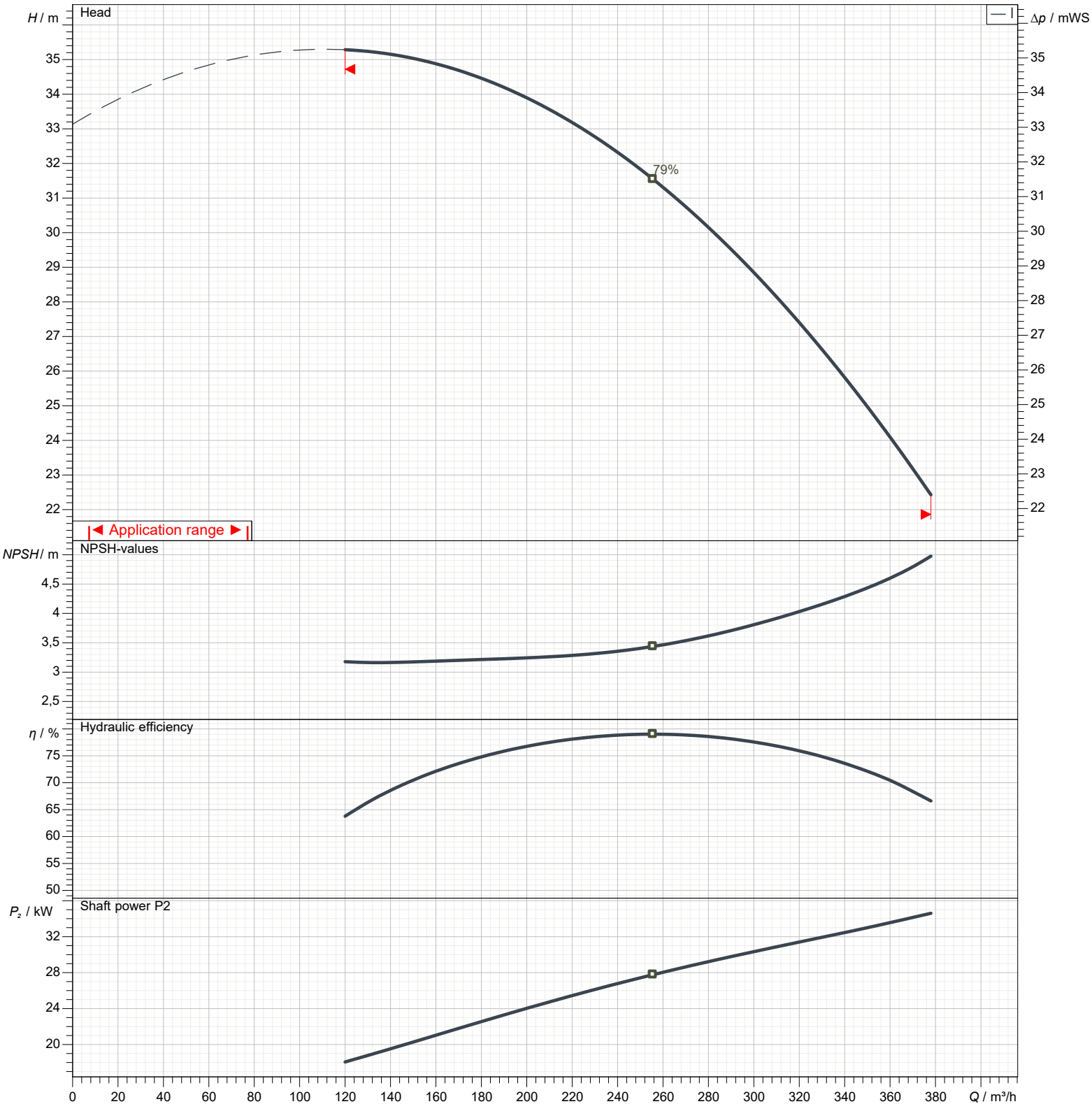
Dimensions in					Total weight			171 kg	
			mm						
1	25-400	Dm2	210	m1	200	x	8		
a	140	Dm3	18	m2	150	y	8		
b	100	DNa	150	n1	400	z	90		
d	42	DNrr	125	n2	500				
Da1	285	e	110	s1	23				
Da2	240	f	530	t	12				
Da3	22	h1	315	u	45				
Dm1	250	h2	400	w	370				

Performance curves

SN4E125-400-I-GR-TM-GG

MEI ≥ 0,40

Performances				
Speed		1.450 1/min	Density	998 kg/m ³
Flow	Min.	120 m ³ /h	Viscosity	1 mm ² /s
	Max.	378 m ³ /h	Temperature	20 °C
Efficiency	Max.	256 m ³ /h	Tolerances	ISO 9906 Grade 3B



Types of installation

SN4E125-400-I-GR-TM-GG

MEI ≥ 0,40



Total weight		171 kg			Dimensions in mm	
1		125-400	t		12	
a		140	u		45	
b		100	w		370	
d		42	x		8	
Da1		285	y		8	
Da2		240	z		90	
Da3		22				
Dm1		250				
Dm2		210				
Dm3		18				
DNa		150				
DNm		125				
e		110				
f		530				
h1		315				
h2		400				
m1		200				
m2		150				
n1		400				
n2		500				
s1		23				