

## Product description

SN4E125-400-F-GR-TM-GG

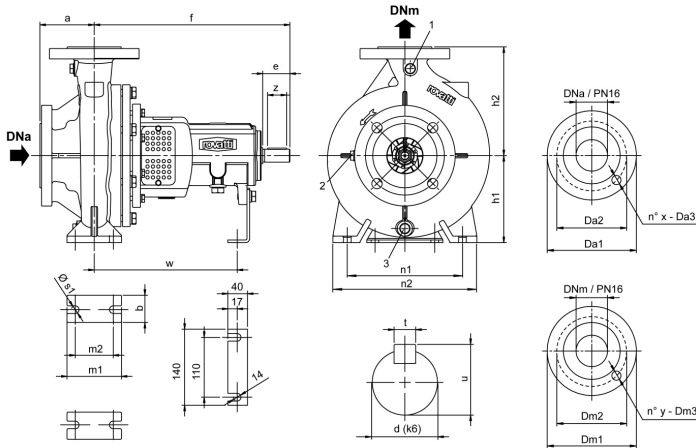
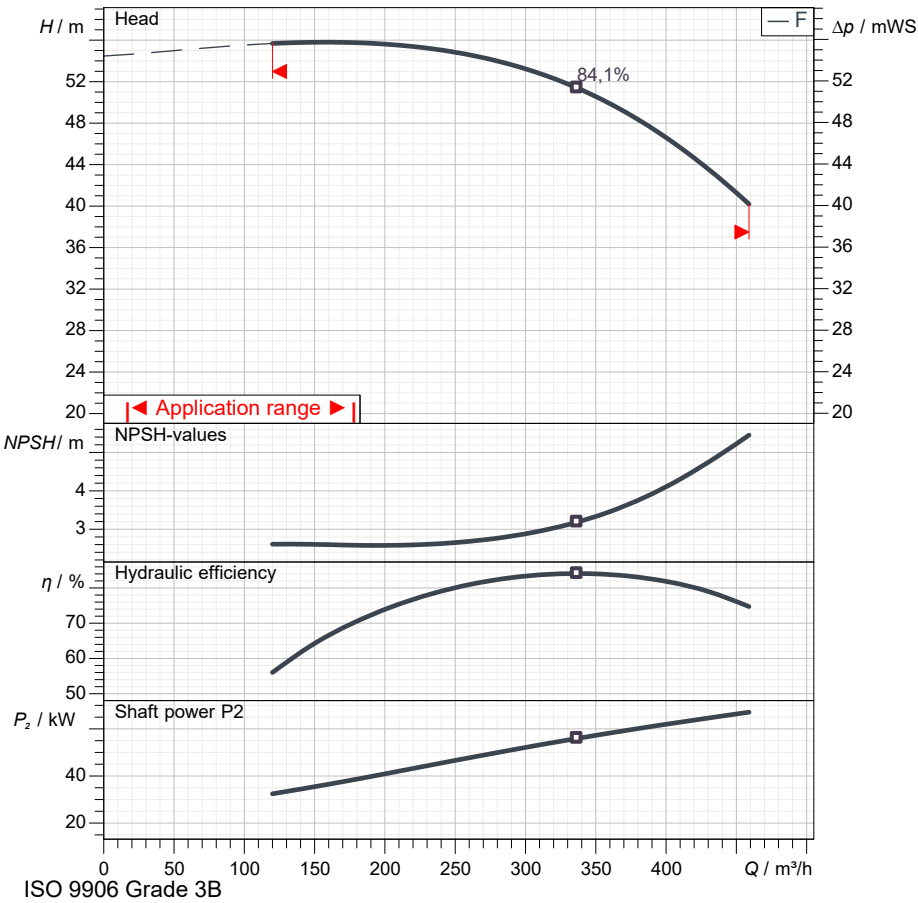
MEI ≥ 0,40

| Pos.no | Description   | Item no | Qty. | UP / €        | TP / €        |
|--------|---|---------|------|---------------|---------------|
| 1      | <b>High efficiency centrifugal pump according to EN 733 (DIN 24255)</b>   |         |      |               |               |
| 2      | Centrifugal pump: SN4E125-400-F-GR-TM-GG  |         | 1    | Price on req. | Price on req. |
| 3      | <p>Pump bodies</p> <p>Horizontal single-stage centrifugal pump with axial inlet, scroll outlet with upwards delivery flange. Dimensions and performance according to EN 733 standards.</p> <p>Duty point<br/>Flow : / Head :</p> <p>Pump operating data<br/>Impeller diameter : 400 mm / Speed : 1.450 1/min<br/>Flow : / Head :<br/>Shaft power P2 : / Efficiency :<br/>Head (Q = 0) : 54,47 m</p> <p>Pump body : Cast iron<br/>Impeller : Carbon steel + Cataphoresis<br/>Wear ring : Cast iron<br/>Support : Cast iron<br/>Bearing support : Cast iron<br/>Shaft : Stainless steel</p> <p>Max. solid contents : 60 g/m<sup>3</sup><br/>Max. water temperature : 90 °C<br/>Max. running time with Q=0 : 2 min</p> |         |      |               |               |
| 4      | Shaft seal: Mechanical seal   |         | 1    |               |               |
| 5      | <p>Cover : Cast iron<br/>Spacer : Stainless steel<br/>Seal face : Graphite<br/>Seat : Ceramic<br/>Seal ring : NBR<br/>Spring : AISI 304 stainless steel</p>   |         |      |               |               |
| 6      | Bearing bracket: Grease lubrication   |         | 1    |               |               |
| 7      | Bearings lubrication : Graese   |         |      |               |               |

## Technical data

### SN4E125-400-F-GR-TM-GG

### MEI ≥ 0,40



| Dimensions in |        | mm   |     | Total weight |     | 171 kg |    |
|---------------|--------|------|-----|--------------|-----|--------|----|
| 1             | 25-400 | Dm2  | 210 | m1           | 200 | x      | 8  |
| a             | 140    | Dm3  | 18  | m2           | 150 | y      | 8  |
| b             | 100    | DNa  | 150 | n1           | 400 | z      | 90 |
| d             | 42     | DNrr | 125 | n2           | 500 |        |    |
| Da1           | 285    | e    | 110 | s1           | 23  |        |    |
| Da2           | 240    | f    | 530 | t            | 12  |        |    |
| Da3           | 22     | h1   | 315 | u            | 45  |        |    |
| Dm1           | 250    | h2   | 400 | w            | 370 |        |    |

| Operating data specification |                    |
|------------------------------|--------------------|
| Capacity                     |                    |
| Head                         |                    |
| Fluid                        | Pure water         |
| Type of installation         | <Single head pump> |

| Pump operating data   |                        |
|-----------------------|------------------------|
| Design                | SN4E125-400-F-GR-TM-GG |
| Impeller Ø            | 400 mm                 |
| Speed                 | 1.450 1/min            |
| Flow                  |                        |
| Head                  |                        |
| Shaft power P2        |                        |
| Efficiency            |                        |
| Head (Q=0)            | 54,5 m                 |
| Non return valve loss |                        |

| Electric motor technical data |  |
|-------------------------------|--|
| Design                        |  |
| Rated power                   |  |
| Frequency                     |  |
| Number of poles               |  |
| Nominal speed                 |  |
| Rated voltage                 |  |
| Starting mode                 |  |
| Rated current                 |  |
| Insulation class              |  |
| Degree of protection          |  |

| Use limits                     |           |
|--------------------------------|-----------|
| Max N° startings/hour          |           |
| Max. running time with Q=0     | 2 min     |
| Max. solids contents           | 60 g/m³   |
| Max. pumped liquid temperature | 90 °C     |
| Maximum density                | 998 kg/m³ |
| Maximum viscosity              | 1 mm²/s   |

| Materials       |                             |
|-----------------|-----------------------------|
| Pump body       | Cast iron                   |
| Impeller        | Carbon steel + Cataphoresis |
| Wear ring       | Cast iron                   |
| Support         | Cast iron                   |
| Bearing support | Cast iron                   |
| Shaft           | Stainless steel             |

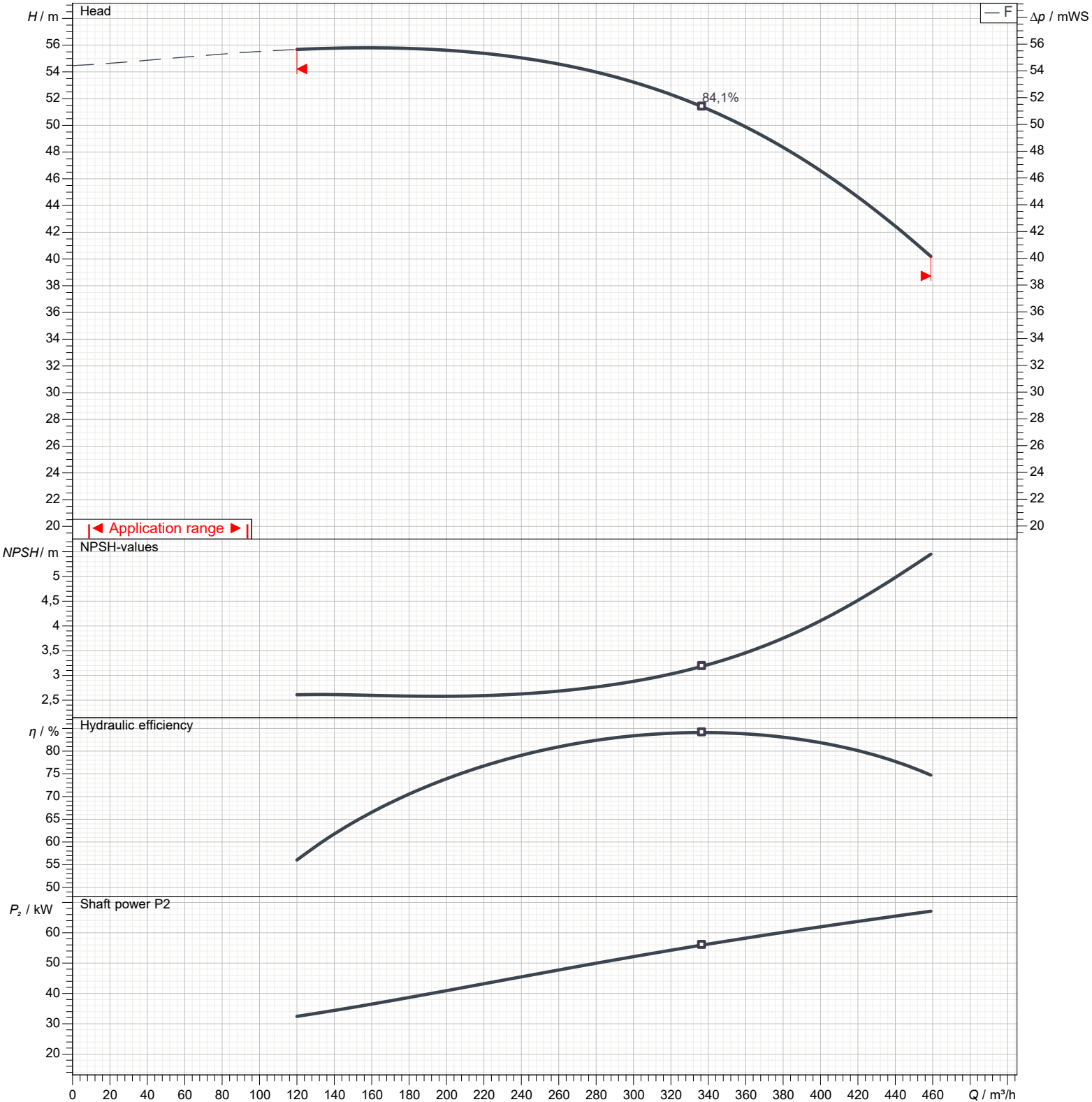
| Shaft seal |                          |
|------------|--------------------------|
| Cover      | Cast iron                |
| Spacer     | Stainless steel          |
| Seal face  | Graphite                 |
| Seat       | Ceramic                  |
| Seal ring  | NBR                      |
| Spring     | AISI 304 stainless steel |

## Performance curves

SN4E125-400-F-GR-TM-GG

MEI ≥ 0,40

| Performances |      |                       |             |                       |
|--------------|------|-----------------------|-------------|-----------------------|
| Speed        |      | 1.450 1/min           | Density     | 998 kg/m <sup>3</sup> |
| Flow         | Min. | 120 m <sup>3</sup> /h | Viscosity   | 1 mm <sup>2</sup> /s  |
|              | Max. | 459 m <sup>3</sup> /h |             |                       |
| Efficiency   | Max. | 337 m <sup>3</sup> /h | Temperature | 20 °C                 |
|              |      |                       |             | Tolerances            |



## Types of installation

SN4E125-400-F-GR-TM-GG

MEI ≥ 0,40



| Total weight |  | 171 kg  |   |  | Dimensions in mm |  |
|--------------|--|---------|---|--|------------------|--|
| 1            |  | 125-400 | t |  | 12               |  |
| a            |  | 140     | u |  | 45               |  |
| b            |  | 100     | w |  | 370              |  |
| d            |  | 42      | x |  | 8                |  |
| Da1          |  | 285     | y |  | 8                |  |
| Da2          |  | 240     | z |  | 90               |  |
| Da3          |  | 22      |   |  |                  |  |
| Dm1          |  | 250     |   |  |                  |  |
| Dm2          |  | 210     |   |  |                  |  |
| Dm3          |  | 18      |   |  |                  |  |
| DNa          |  | 150     |   |  |                  |  |
| DNm          |  | 125     |   |  |                  |  |
| e            |  | 110     |   |  |                  |  |
| f            |  | 530     |   |  |                  |  |
| h1           |  | 315     |   |  |                  |  |
| h2           |  | 400     |   |  |                  |  |
| m1           |  | 200     |   |  |                  |  |
| m2           |  | 150     |   |  |                  |  |
| n1           |  | 400     |   |  |                  |  |
| n2           |  | 500     |   |  |                  |  |
| s1           |  | 23      |   |  |                  |  |