

Product description

SN4E125-315-G-GR-TM-GG

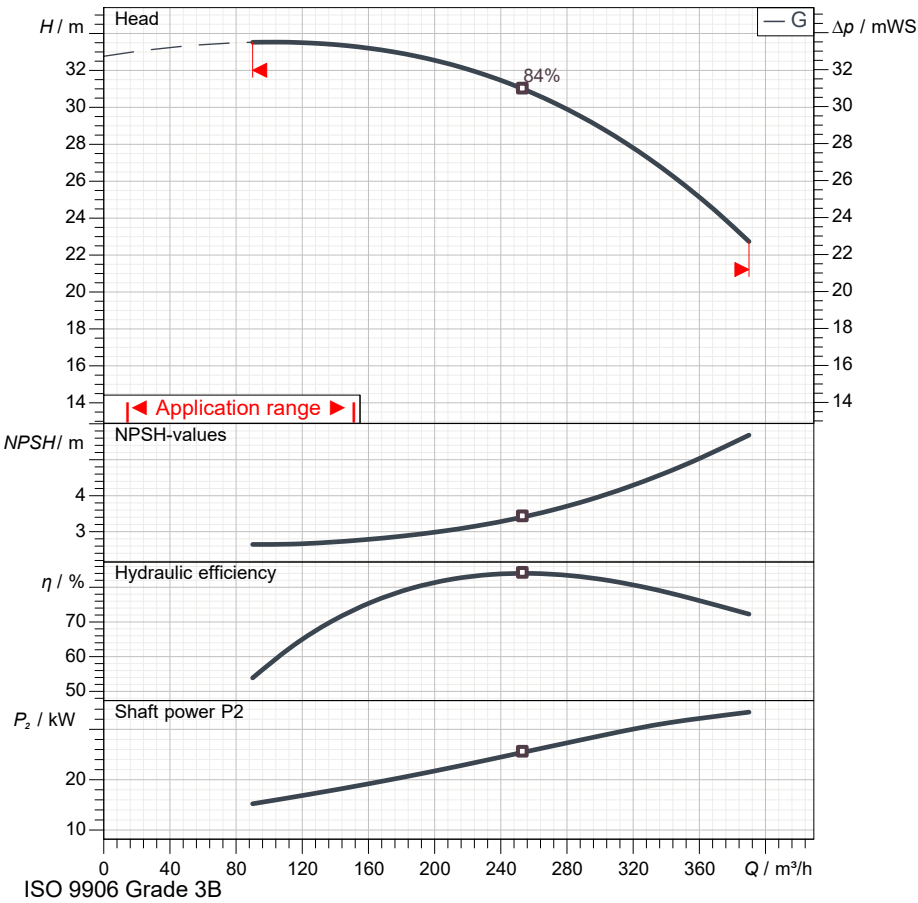
MEI ≥ 0,40

| Pos.no | Description | Item no | Qty. | UP / € | TP / € |
|--------|---|---------|------|---------------|---------------|
| 1 | High efficiency centrifugal pump according to EN 733 (DIN 24255) | | | | |
| 2 | Centrifugal pump: SN4E125-315-G-GR-TM-GG | | 1 | Price on req. | Price on req. |
| 3 | <p>Pump bodies</p> <p>Horizontal single-stage centrifugal pump with axial inlet, scroll outlet with upwards delivery flange. Dimensions and performance according to EN 733 standards.</p> <p>Duty point</p> <p>Flow : / Head :</p> <p>Pump operating data</p> <p>Impeller diameter : 310 mm / Speed : 1.450 1/min</p> <p>Flow : / Head :</p> <p>Shaft power P2 : / Efficiency :</p> <p>Head (Q = 0) : 32,77 m</p> <p>Pump body : Cast iron</p> <p>Impeller : Carbon steel + Cataphoresis</p> <p>Wear ring : Cast iron</p> <p>Support : Cast iron</p> <p>Bearing support : Cast iron</p> <p>Shaft : Stainless steel</p> <p>Max. solid contents : 60 g/m³</p> <p>Max. water temperature : 90 °C</p> <p>Max. running time with Q=0 : 2 min</p> | | | | |
| 4 | Shaft seal: Mechanical seal | | 1 | | |
| 5 | <p>Cover : Cast iron</p> <p>Spacer : Stainless steel</p> <p>Seal face : Graphite</p> <p>Seat : Ceramic</p> <p>Seal ring : NBR</p> <p>Spring : AISI 304 stainless steel</p> | | | | |
| 6 | Bearing bracket: Grease lubrication | | 1 | | |
| 7 | Bearings lubrication : Graese | | | | |

Technical data

SN4E125-315-G-GR-TM-GG

MEI ≥ 0,40



| Operating data specification | |
|------------------------------|--------------------|
| Capacity | |
| Head | |
| Fluid | Pure water |
| Type of installation | <Single head pump> |

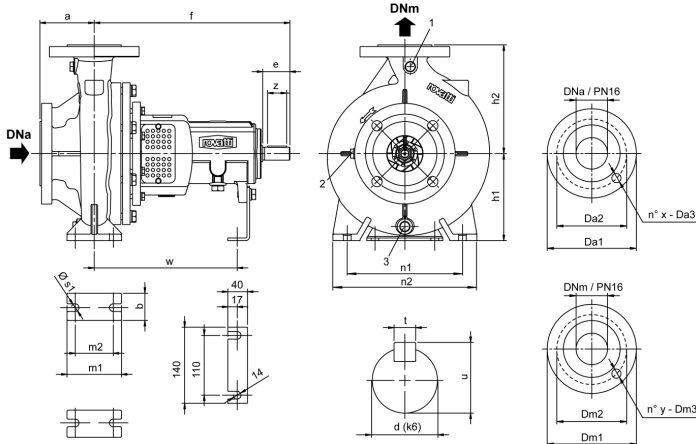
| Pump operating data | |
|----------------------------|------------------------|
| Design | SN4E125-315-G-GR-TM-GC |
| Impeller Ø | 310 mm |
| Speed | 1.450 1/min |
| Flow | |
| Head | |
| Shaft power P ₂ | |
| Efficiency | |
| Head (Q=0) | 32,8 m |
| Non return valve loss | |

| Electric motor technical data | |
|-------------------------------|--|
| Design | |
| Rated power | |
| Frequency | |
| Number of poles | |
| Nominal speed | |
| Rated voltage | |
| Starting mode | |
| Rated current | |
| Insulation class | |
| Degree of protection | |

| Use limits | |
|--------------------------------|-----------------------|
| Max N° startings/hour | |
| Max. running time with Q=0 | 2 min |
| Max. solids contents | 60 g/m ³ |
| Max. pumped liquid temperature | 90 °C |
| Maximum density | 998 kg/m ³ |
| Maximum viscosity | 1 mm ² /s |

| Materials | |
|-----------------|-----------------------------|
| Pump body | Cast iron |
| Impeller | Carbon steel + Cataphoresis |
| Wear ring | Cast iron |
| Support | Cast iron |
| Bearing support | Cast iron |
| Shaft | Stainless steel |

| Shaft seal | |
|------------|--------------------------|
| Cover | Cast iron |
| Spacer | Stainless steel |
| Seal face | Graphite |
| Seat | Ceramic |
| Seal ring | NBR |
| Spring | AISI 304 stainless steel |



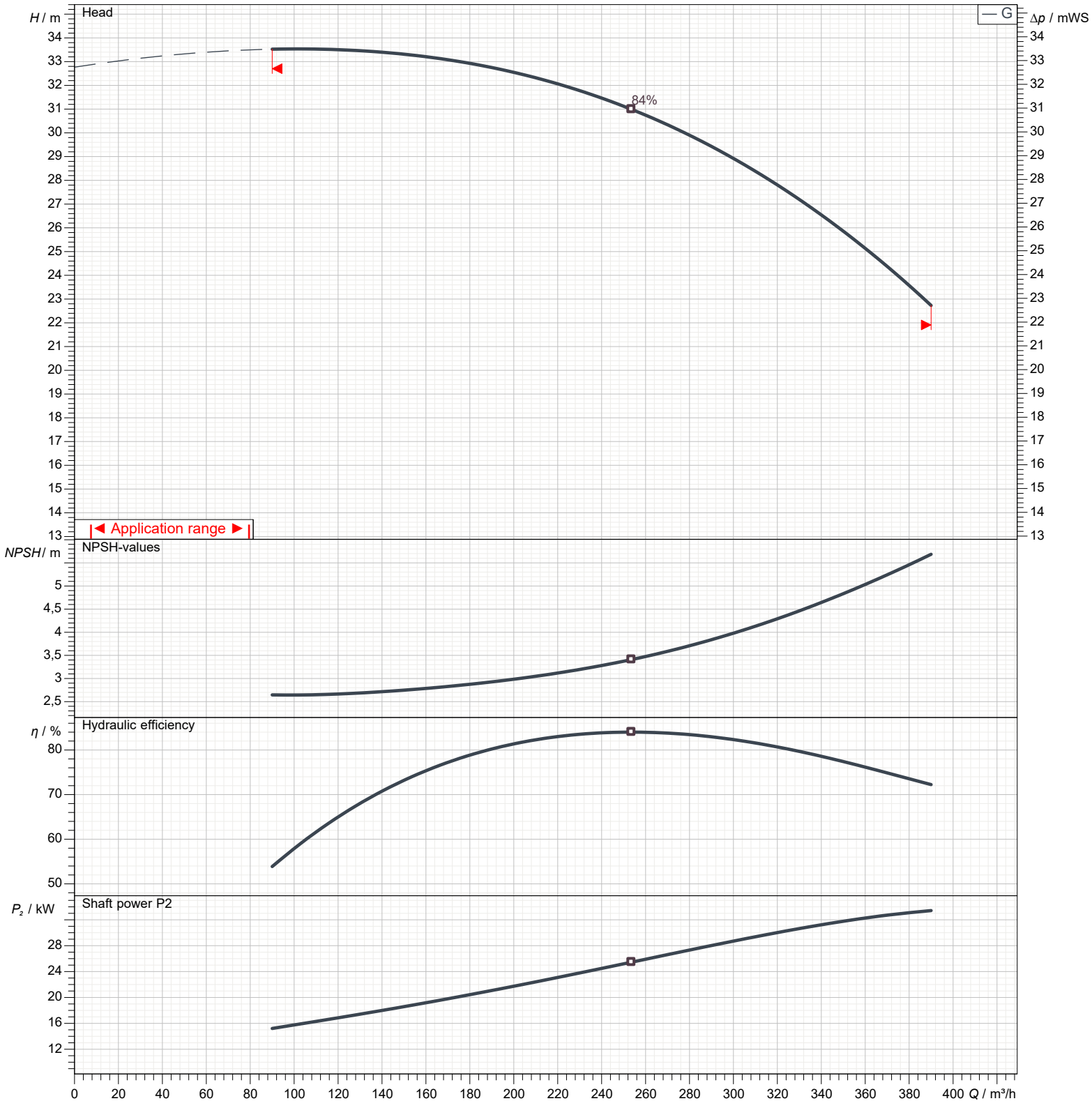
| Dimensions in | | | | | mm | | Total weight | | 142 kg | |
|---------------|--------|------|-----|----|-----|---|--------------|--|--------|--|
| 1 | 25-315 | Dm2 | 210 | m1 | 200 | x | 8 | | | |
| a | 140 | Dm3 | 18 | m2 | 150 | y | 8 | | | |
| b | 100 | DNa | 150 | n1 | 400 | z | 90 | | | |
| d | 42 | DNrr | 125 | n2 | 500 | | | | | |
| Da1 | 285 | e | 110 | s1 | 23 | | | | | |
| Da2 | 240 | f | 530 | t | 12 | | | | | |
| Da3 | 22 | h1 | 280 | u | 45 | | | | | |
| Dm1 | 250 | h2 | 355 | w | 370 | | | | | |

Performance curves

SN4E125-315-G-GR-TM-GG

MEI ≥ 0,40

| Performances | | | | |
|--------------|------|-----------------------|-------------|-----------------------|
| Speed | | 1.450 1/min | Density | 998 kg/m ³ |
| Flow | Min. | 90 m ³ /h | Viscosity | 1 mm ² /s |
| | Max. | 390 m ³ /h | | |
| Efficiency | Max. | 254 m ³ /h | Temperature | 20 °C |
| | | | Tolerances | ISO 9906 Grade 3B |



Types of installation

SN4E125-315-G-GR-TM-GG

MEI ≥ 0,40



| Total weight | | 142 kg | | | Dimensions in mm | |
|--------------|--|---------|---|--|------------------|--|
| 1 | | 125-315 | t | | 12 | |
| a | | 140 | u | | 45 | |
| b | | 100 | w | | 370 | |
| d | | 42 | x | | 8 | |
| Da1 | | 285 | y | | 8 | |
| Da2 | | 240 | z | | 90 | |
| Da3 | | 22 | | | | |
| Dm1 | | 250 | | | | |
| Dm2 | | 210 | | | | |
| Dm3 | | 18 | | | | |
| DNa | | 150 | | | | |
| DNm | | 125 | | | | |
| e | | 110 | | | | |
| f | | 530 | | | | |
| h1 | | 280 | | | | |
| h2 | | 355 | | | | |
| m1 | | 200 | | | | |
| m2 | | 150 | | | | |
| n1 | | 400 | | | | |
| n2 | | 500 | | | | |
| s1 | | 23 | | | | |