

## Product description

SN4E100-400-G-GR-TM-GG

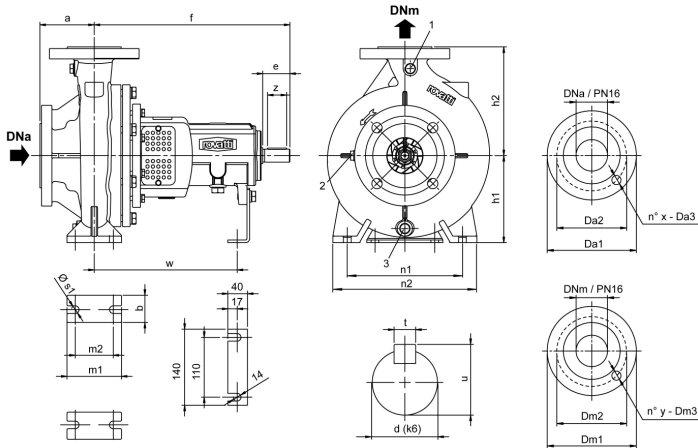
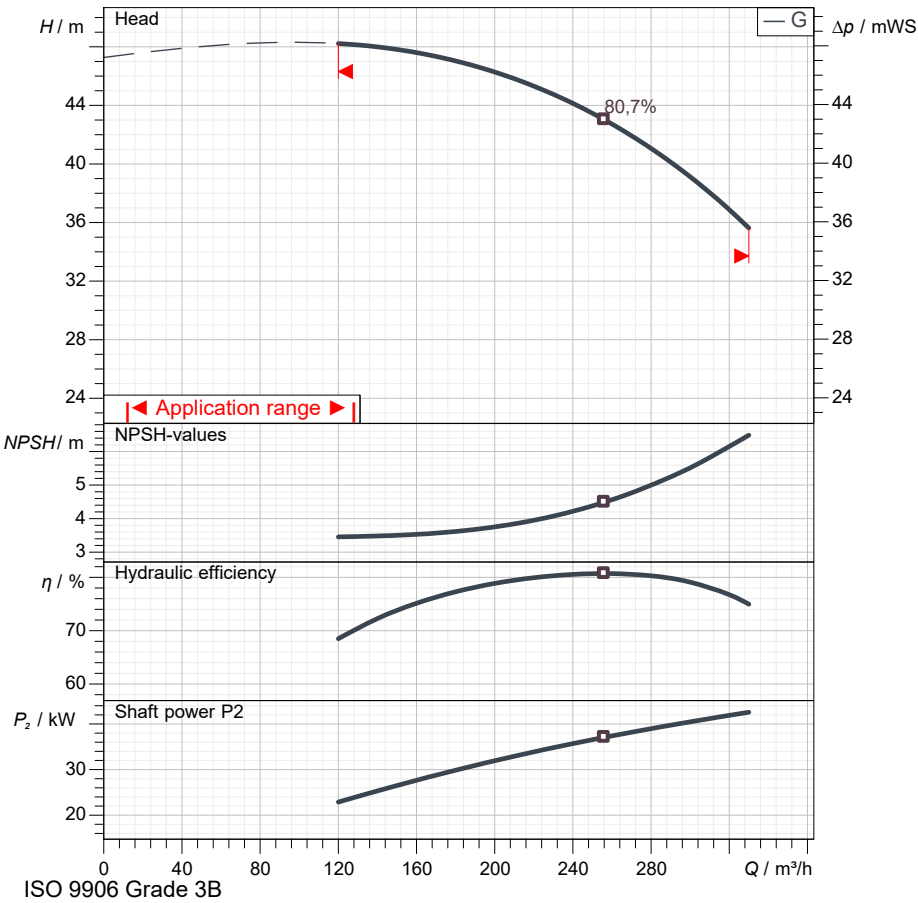
MEI ≥ 0,40

Pos.no	Description	Item no	Qty.	UP / €	TP / €
1	<b>High efficiency centrifugal pump according to EN 733 (DIN 24255)</b>				
2	Centrifugal pump: SN4E100-400-G-GR-TM-GG		1	Price on req.	Price on req.
3	<p>Pump bodies</p> <p>Horizontal single-stage centrifugal pump with axial inlet, scroll outlet with upwards delivery flange. Dimensions and performance according to EN 733 standards.</p> <p>Duty point</p> <p>Flow : / Head :</p> <p>Pump operating data</p> <p>Impeller diameter : 380 mm / Speed : 1.450 1/min</p> <p>Flow : / Head :</p> <p>Shaft power P2 : / Efficiency :</p> <p>Head (Q = 0) : 47,27 m</p> <p>Pump body : Cast iron</p> <p>Impeller : Carbon steel + Cataphoresis</p> <p>Wear ring : Cast iron</p> <p>Support : Cast iron</p> <p>Bearing support : Cast iron</p> <p>Shaft : Stainless steel</p> <p>Max. solid contents : 60 g/m<sup>3</sup></p> <p>Max. water temperature : 90 °C</p> <p>Max. running time with Q=0 : 2 min</p>				
4	Shaft seal: Mechanical seal		1		
5	<p>Cover : Cast iron</p> <p>Spacer : Stainless steel</p> <p>Seal face : Graphite</p> <p>Seat : Ceramic</p> <p>Seal ring : NBR</p> <p>Spring : AISI 304 stainless steel</p>				
6	Bearing bracket: Grease lubrication		1		
7	Bearings lubrication : Graese				

## Technical data

### SN4E100-400-G-GR-TM-GG

### MEI ≥ 0,40



Dimensions in				mm				Total weight				158 kg			
1	30-400	Dm2	180	m1	200	x	8								
a	140	Dm3	18	m2	150	y	8								
b	100	DNa	125	n1	400	z	90								
d	42	DNrr	100	n2	500										
Da1	250	e	110	s1	23										
Da2	210	f	530	t	12										
Da3	18	h1	280	u	45										
Dm1	220	h2	355	w	370										

#### Operating data specification

Capacity	
Head	
Fluid	Pure water
Type of installation	<Single head pump>

#### Pump operating data

Design	SN4E100-400-G-GR-TM-GC
Impeller Ø	380 mm
Speed	1.450 1/min
Flow	
Head	
Shaft power P2	
Efficiency	
Head (Q=0)	47,3 m
Non return valve loss	

#### Electric motor technical data

Design	
Rated power	
Frequency	
Number of poles	
Nominal speed	
Rated voltage	
Starting mode	
Rated current	
Insulation class	
Degree of protection	

#### Use limits

Max N° startings/hour	
Max. running time with Q=0	2 min
Max. solids contents	60 g/m³
Max. pumped liquid temperature	90 °C
Maximum density	998 kg/m³
Maximum viscosity	1 mm²/s

#### Materials

Pump body	Cast iron
Impeller	Carbon steel + Cataphoresis
Wear ring	Cast iron
Support	Cast iron
Bearing support	Cast iron
Shaft	Stainless steel

#### Shaft seal

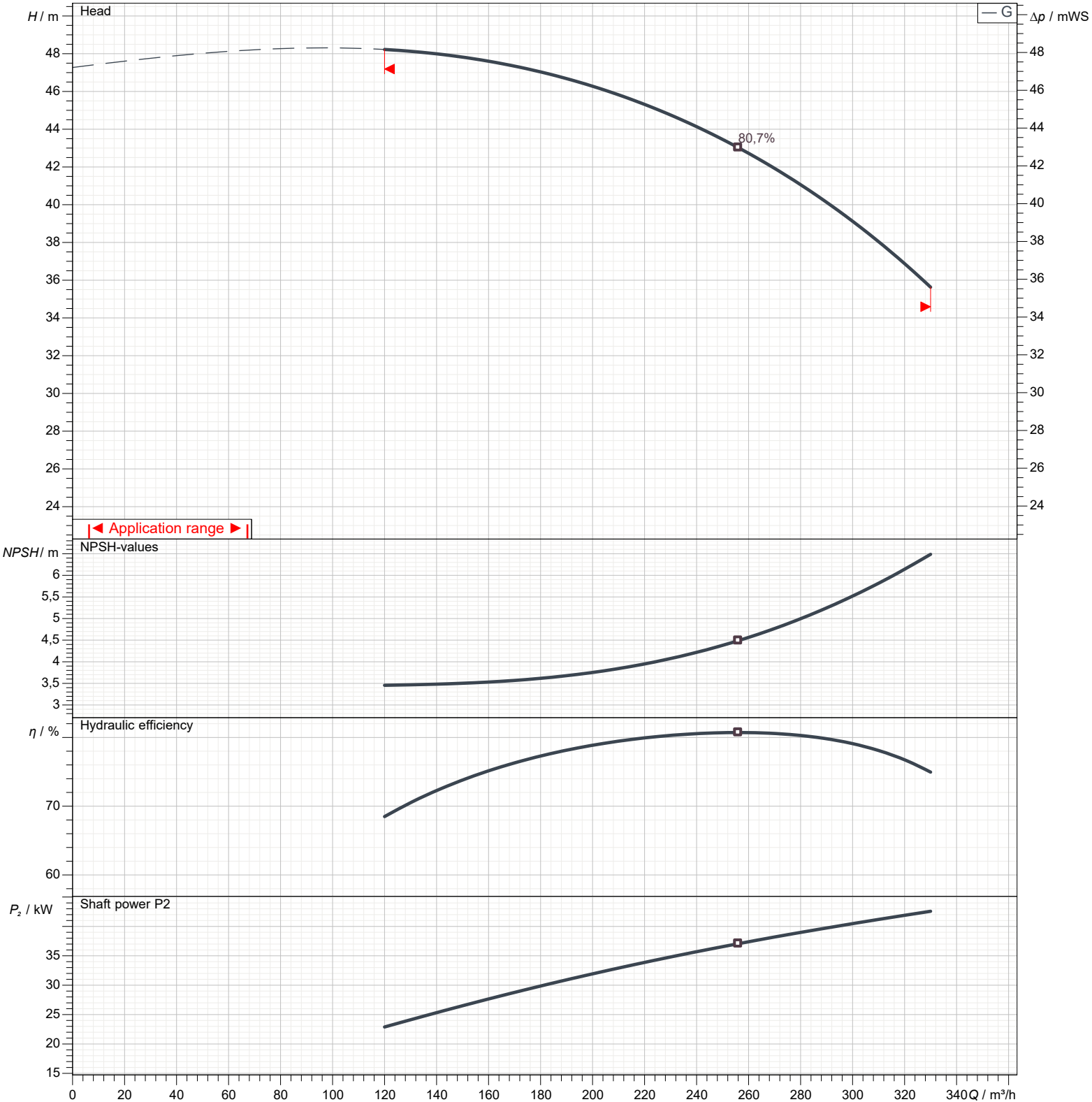
Cover	Cast iron
Spacer	Stainless steel
Seal face	Graphite
Seat	Ceramic
Seal ring	NBR
Spring	AISI 304 stainless steel

## Performance curves

SN4E100-400-G-GR-TM-GG

MEI ≥ 0,40

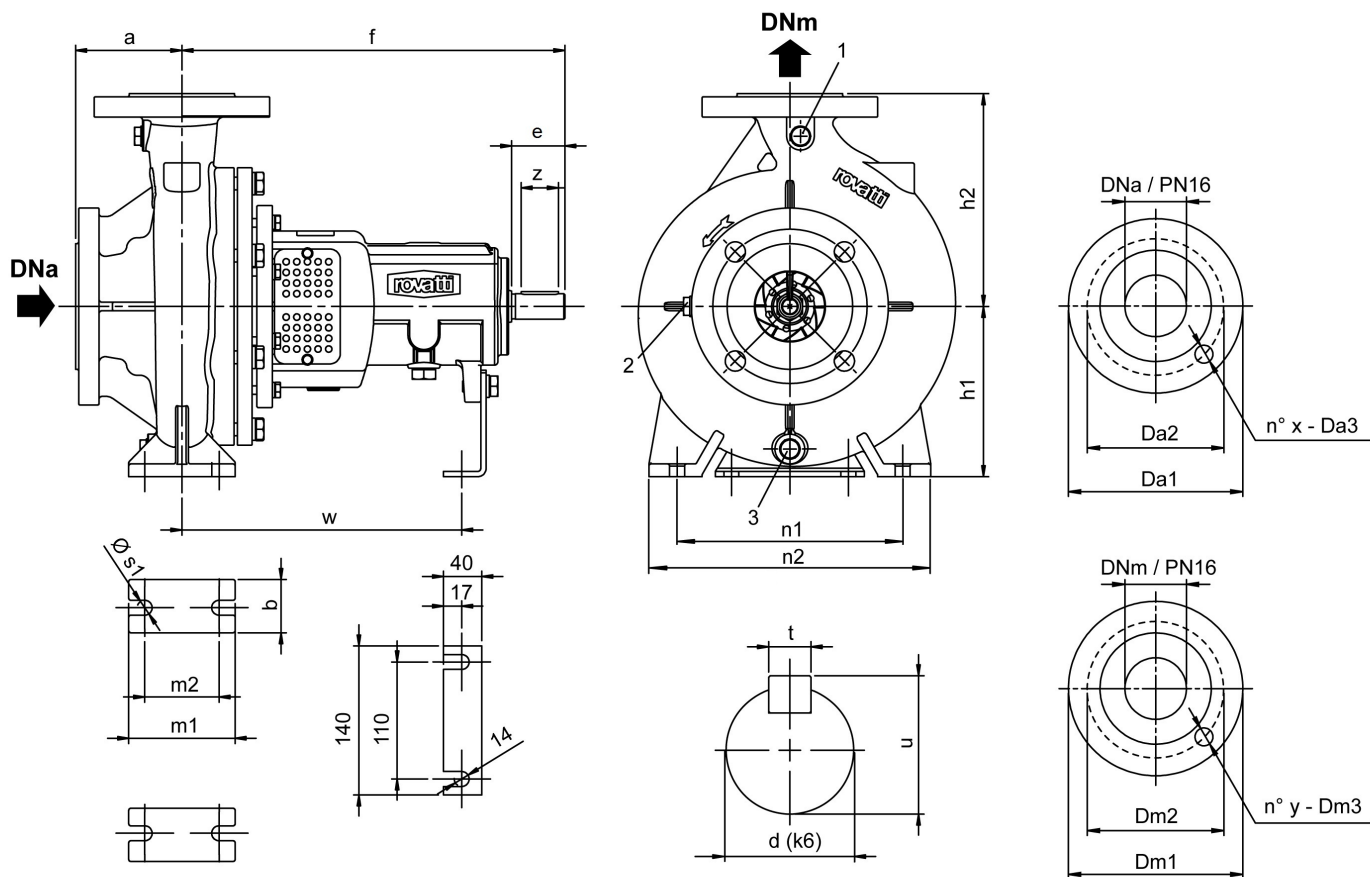
Performances				
Speed		1.450 1/min	Density	998 kg/m <sup>3</sup>
Flow	Min.	120 m <sup>3</sup> /h	Viscosity	1 mm <sup>2</sup> /s
	Max.	330 m <sup>3</sup> /h	Temperature	20 °C
Efficiency	Max.	256 m <sup>3</sup> /h	Tolerances	ISO 9906 Grade 3B



## Types of installation

SN4E100-400-G-GR-TM-GG

MEI ≥ 0,40



Total weight		158 kg	Dimensions in mm			
1	100-400	<i>t</i>	12			
<i>a</i>	140	<i>u</i>	45			
<i>b</i>	100	<i>w</i>	370			
<i>d</i>	42	<i>x</i>	8			
<i>Da1</i>	250	<i>y</i>	8			
<i>Da2</i>	210	<i>z</i>	90			
<i>Da3</i>	18					
<i>Dm1</i>	220					
<i>Dm2</i>	180					
<i>Dm3</i>	18					
<i>DNa</i>	125					
<i>DNm</i>	100					
<i>e</i>	110					
<i>f</i>	530					
<i>h1</i>	280					
<i>h2</i>	355					
<i>m1</i>	200					
<i>m2</i>	150					
<i>n1</i>	400					
<i>n2</i>	500					
<i>s1</i>	23					