

Product description

SN3E80-250-H-GR-TM-SS

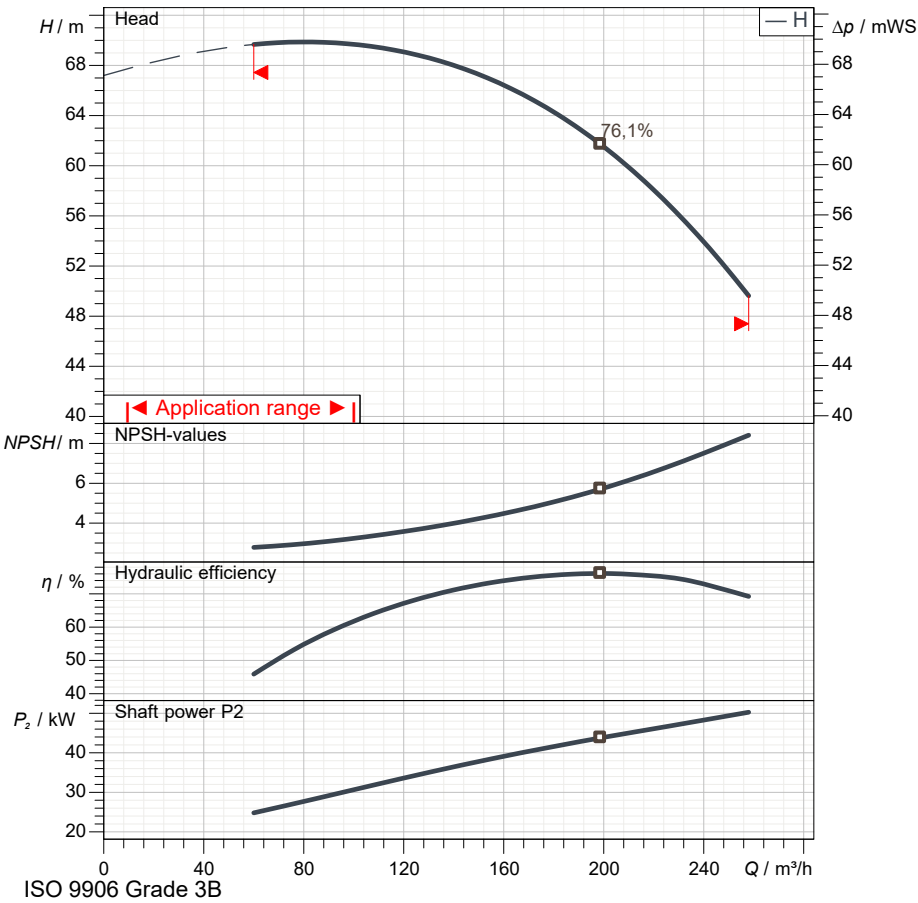
MEI ≥ 0,40

Pos.no	Description	Item no	Qty.	UP / €	TP / €
1	High efficiency centrifugal pump according to EN 733 (DIN 24255)				
2	Centrifugal pump: SN3E80-250-H-GR-TM-SS		1	Price on req.	Price on req.
3	Pump bodies Horizontal single-stage centrifugal pump with axial inlet, scroll outlet with upwards delivery flange. Dimensions and performance according to EN 733 standards. Duty point Flow : / Head : Pump operating data Impeller diameter : 225 mm / Speed : 2.900 1/min Flow : / Head : Shaft power P2 : / Efficiency : Head (Q = 0) : 67,2 m Pump body : Cast iron Impeller : AISI 304 stainless steel Wear ring : Cast iron Support : Cast iron Bearing support : Cast iron Shaft : Stainless steel Max. solid contents : 60 g/m ³ Max. water temperature : 90 °C Max. running time with Q=0 : 2 min				
4	Shaft seal: Mechanical seal		1		
5	Cover : Cast iron Spacer : Stainless steel Seal face : Graphite Seat : Ceramic Seal ring : NBR Spring : AISI 304 stainless steel				
6	Bearing bracket: Grease lubrication		1		
7	Bearings lubrication : Graese				

Technical data

SN3E80-250-H-GR-TM-SS

MEI ≥ 0,40



Operating data specification	
Capacity	
Head	
Fluid	Pure water
Type of installation	<Single head pump>

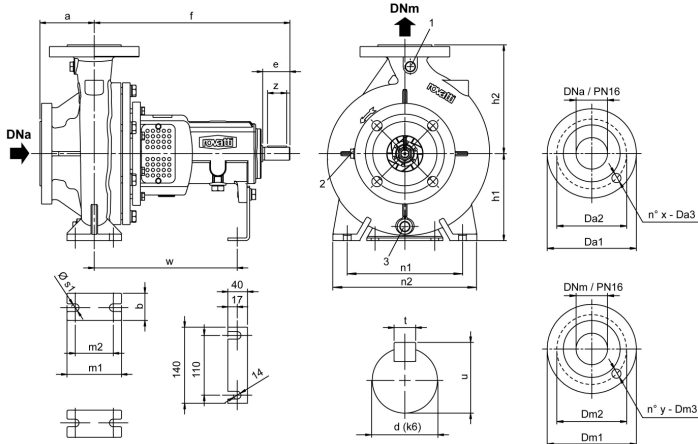
Pump operating data	
Design	SN3E80-250-H-GR-TM-SS
Impeller Ø	225 mm
Speed	2.900 1/min
Flow	
Head	
Shaft power P2	
Efficiency	
Head (Q=0)	67,2 m
Non return valve loss	

Electric motor technical data	
Design	
Rated power	
Frequency	
Number of poles	
Nominal speed	
Rated voltage	
Starting mode	
Rated current	
Insulation class	
Degree of protection	

Use limits	
Max N° startings/hour	
Max. running time with Q=0	2 min
Max. solids contents	60 g/m³
Max. pumped liquid temperature	90 °C
Maximum density	998 kg/m³
Maximum viscosity	1 mm²/s

Materials	
Pump body	Cast iron
Impeller	AISI 304 stainless steel
Wear ring	Cast iron
Support	Cast iron
Bearing support	Cast iron
Shaft	Stainless steel

Shaft seal	
Cover	Cast iron
Spacer	Stainless steel
Seal face	Graphite
Seat	Ceramic
Seal ring	NBR
Spring	AISI 304 stainless steel



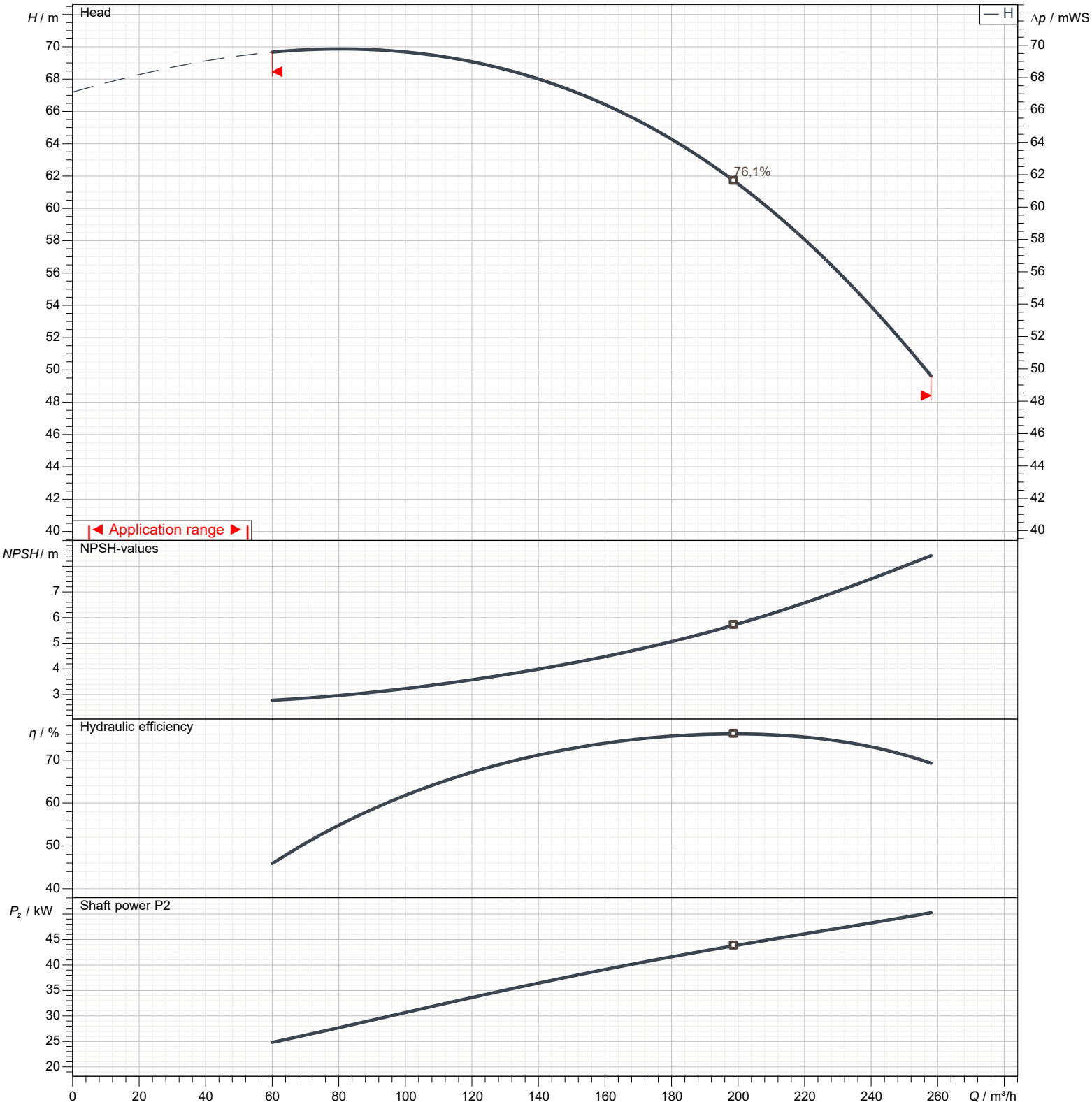
Dimensions in		mm		Total weight		89 kg	
1	30-250	Dm2	160	m1	160	x	8
a	125	Dm3	18	m2	120	y	8
b	80	DNa	100	n1	315	z	60
d	32	DNrr	80	n2	400		
Da1	220	e	80	s1	18		
Da2	180	f	470	t	10		
Da3	18	h1	200	u	35		
Dm1	200	h2	280	w	340		

Performance curves

SN3E80-250-H-GR-TM-SS

MEI ≥ 0,40

Performances				
Speed		2.900 1/min	Density	998 kg/m ³
Flow	Min.	60 m ³ /h	Viscosity	1 mm ² /s
	Max.	258 m ³ /h		
Efficiency	Max.	199 m ³ /h	Temperature	20 °C
				Tolerances



Types of installation

SN3E80-250-H-GR-TM-SS

MEI ≥ 0,40



Total weight		89 kg	Dimensions in mm			
1	80-250		<i>t</i>	10		
<i>a</i>	125		<i>u</i>	35		
<i>b</i>	80		<i>w</i>	340		
<i>d</i>	32		<i>x</i>	8		
<i>Da1</i>	220		<i>y</i>	8		
<i>Da2</i>	180		<i>z</i>	60		
<i>Da3</i>	18					
<i>Dm1</i>	200					
<i>Dm2</i>	160					
<i>Dm3</i>	18					
<i>DNa</i>	100					
<i>DNm</i>	80					
<i>e</i>	80					
<i>f</i>	470					
<i>h1</i>	200					
<i>h2</i>	280					
<i>m1</i>	160					
<i>m2</i>	120					
<i>n1</i>	315					
<i>n2</i>	400					
<i>s1</i>	18					