

## Product description

SN3E65-250-G-GR-TM-SS

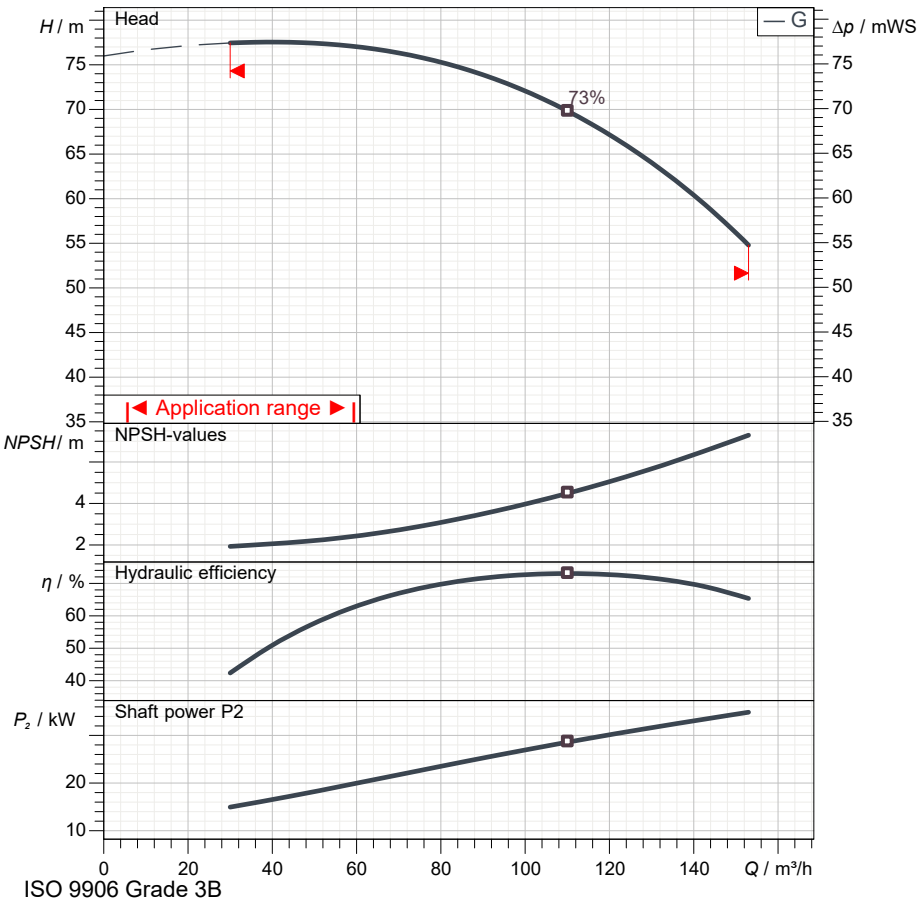
MEI ≥ 0,40

Pos.no	Description	Item no	Qty.	UP / €	TP / €
1	<b>High efficiency centrifugal pump according to EN 733 (DIN 24255)</b>				
2	Centrifugal pump: SN3E65-250-G-GR-TM-SS		1	Price on req.	Price on req.
3	<p>Pump bodies</p> <p>Horizontal single-stage centrifugal pump with axial inlet, scroll outlet with upwards delivery flange. Dimensions and performance according to EN 733 standards.</p> <p>Duty point</p> <p>Flow : / Head :</p> <p>Pump operating data</p> <p>Impeller diameter : 240 mm / Speed : 2.900 1/min</p> <p>Flow : / Head :</p> <p>Shaft power P2 : / Efficiency :</p> <p>Head (Q = 0) : 75,99 m</p> <p>Pump body : Cast iron</p> <p>Impeller : AISI 304 stainless steel</p> <p>Wear ring : Cast iron</p> <p>Support : Cast iron</p> <p>Bearing support : Cast iron</p> <p>Shaft : Stainless steel</p> <p>Max. solid contents : 60 g/m<sup>3</sup></p> <p>Max. water temperature : 90 °C</p> <p>Max. running time with Q=0 : 2 min</p>				
4	Shaft seal: Mechanical seal		1		
5	<p>Cover : Cast iron</p> <p>Spacer : Stainless steel</p> <p>Seal face : Graphite</p> <p>Seat : Ceramic</p> <p>Seal ring : NBR</p> <p>Spring : AISI 304 stainless steel</p>				
6	Bearing bracket: Grease lubrication		1		
7	Bearings lubrication : Graese				

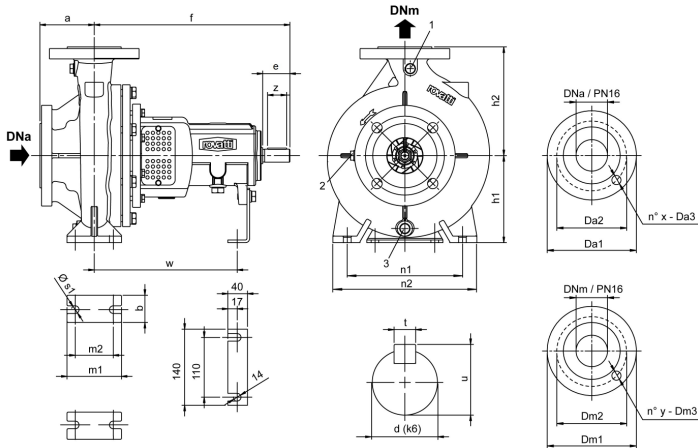
## Technical data

### SN3E65-250-G-GR-TM-SS

### MEI ≥ 0,40



ISO 9906 Grade 3B



Dimensions in		mm		Total weight		83 kg	
1	35-250	Dm2	145	m1	160	x	8
a	100	Dm3	18	m2	120	y	4
b	80	DNa	80	n1	280	z	60
d	32	DNrr	65	n2	360		
Da1	200	e	80	s1	18		
Da2	160	f	470	t	10		
Da3	18	h1	200	u	35		
Dm1	185	h2	250	w	340		

#### Operating data specification

Capacity	
Head	
Fluid	Pure water
Type of installation	<Single head pump>

#### Pump operating data

Design	SN3E65-250-G-GR-TM-SS
Impeller Ø	240 mm
Speed	2.900 1/min
Flow	
Head	
Shaft power P2	
Efficiency	
Head (Q=0)	76 m
Non return valve loss	

#### Electric motor technical data

Design	
Rated power	
Frequency	
Number of poles	
Nominal speed	
Rated voltage	
Starting mode	
Rated current	
Insulation class	
Degree of protection	

#### Use limits

Max N° startings/hour	
Max. running time with Q=0	2 min
Max. solids contents	60 g/m³
Max. pumped liquid temperature	90 °C
Maximum density	998 kg/m³
Maximum viscosity	1 mm²/s

#### Materials

Pump body	Cast iron
Impeller	AISI 304 stainless steel
Wear ring	Cast iron
Support	Cast iron
Bearing support	Cast iron
Shaft	Stainless steel

#### Shaft seal

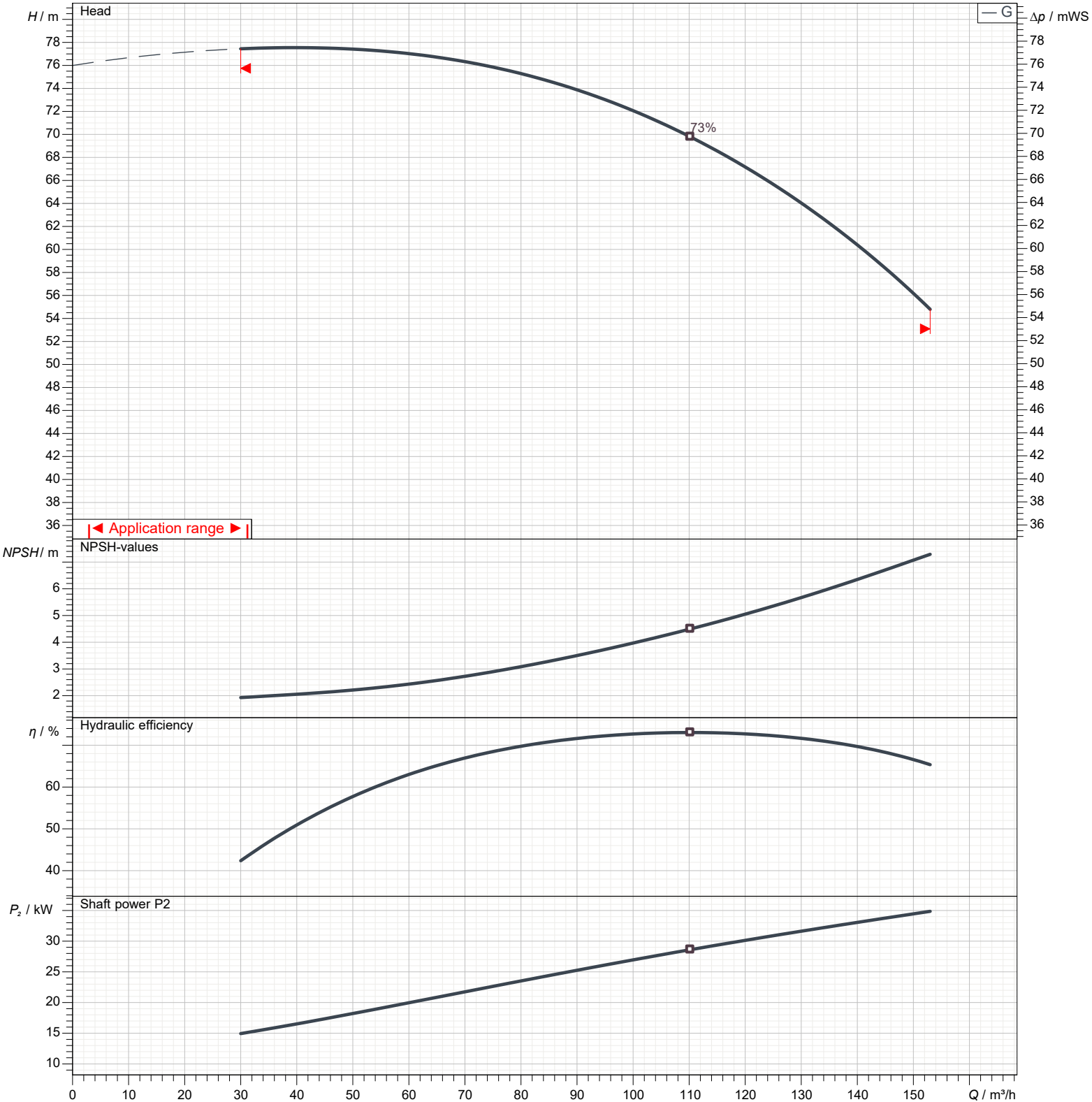
Cover	Cast iron
Spacer	Stainless steel
Seal face	Graphite
Seat	Ceramic
Seal ring	NBR
Spring	AISI 304 stainless steel

## Performance curves

SN3E65-250-G-GR-TM-SS

MEI ≥ 0,40

Performances				
Speed		2.900 1/min	Density	998 kg/m <sup>3</sup>
Flow	Min.	30 m <sup>3</sup> /h	Viscosity	1 mm <sup>2</sup> /s
	Max.	153 m <sup>3</sup> /h	Temperature	20 °C
Efficiency	Max.	110 m <sup>3</sup> /h	Tolerances	ISO 9906 Grade 3B



## Types of installation

SN3E65-250-G-GR-TM-SS

MEI ≥ 0,40



Total weight		83 kg			Dimensions in mm	
1		65-250	t		10	
a		100	u		35	
b		80	w		340	
d		32	x		8	
Da1		200	y		4	
Da2		160	z		60	
Da3		18				
Dm1		185				
Dm2		145				
Dm3		18				
DNa		80				
DNm		65				
e		80				
f		470				
h1		200				
h2		250				
m1		160				
m2		120				
n1		280				
n2		360				
s1		18				