

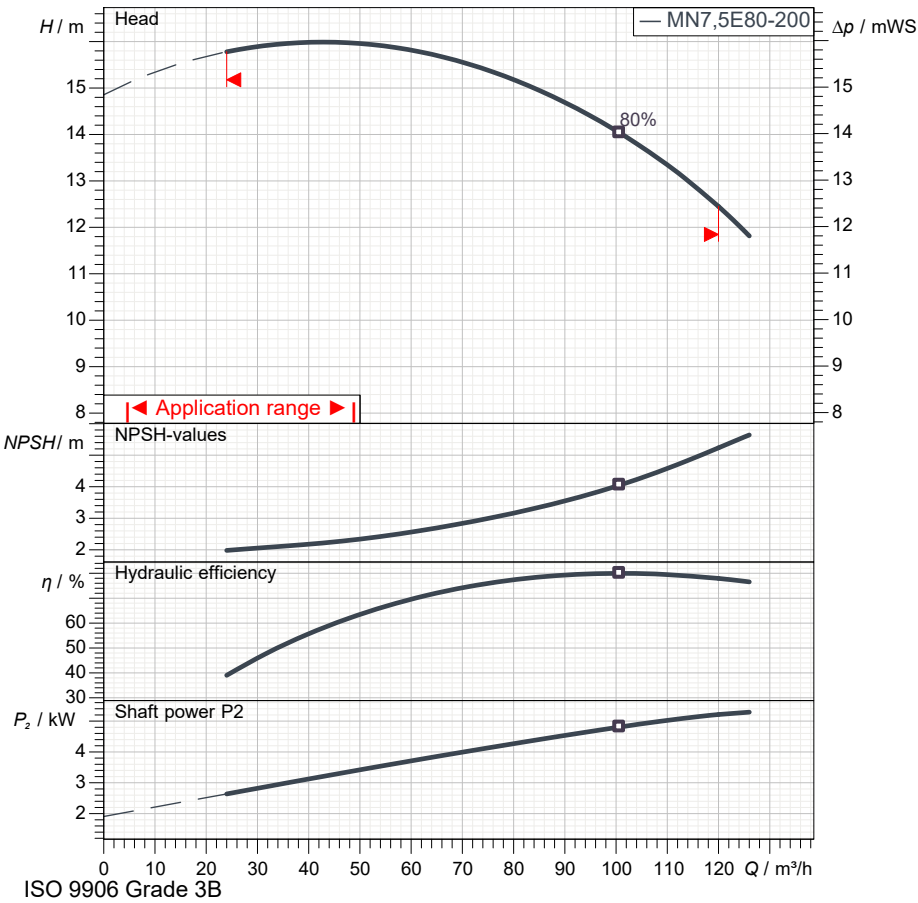
Product description

MN7,5E80-200-4P-50-TM-SS

Pos.no	Description	Item no	Qty.	UP / €	TP / €
1	Close-coupled electric pump according to EN 733 (DIN 24255)				
2	Centrifugal pump: MN7,5E80-200-4P-50-TM-SS		1	Price on req.	Price on req.
3	Pump bodies Close-coupled electric pumps in compliance with EN 733 - DIN 24255 standards coupled to IEC standard electric motors through rigid coupling. Duty point Flow : / Head : Pump operating data Impeller diameter : 211 mm / Speed : 1.450 1/min Flow : / Head : Shaft power P2 : / Efficiency : Head (Q = 0) : 14,85 m Pump body : Cast iron Impeller : Stainless steel Wear ring : Cast iron Support : Cast iron Coupling : Cast iron Shaft : Stainless steel Max. solid contents : 40 g/m ³ Max. water temperature : 90 °C Max. running time with Q=0 : 2 min				
4	Motor: IEC 7,5 - 4		1		
5	Electric motor Three-phase IE3 asynchronous squirrel cage motor. Casing : Aluminium Protection : IP 55 Insulation class : F Number of startings : max 14 Max environment temperature : 40 °C Max altimetric level : 1000 m Weight : 50 kg Frequency : 50 Hz N. poles : 4 P2 : 5,5 kW U : 400 V In 1/1 : 10,8 A EFF : 89,6 % CosPhi : 0,82				
6	Shaft seal: Mechanical seal		1		
7	Cover : Cast iron Spacer : Stainless steel Seal face : Graphite Seat : Ceramic Seal ring : NBR Spring : AISI 304 stainless steel				

Technical data

MN7,5E80-200-4P-50-TM-SS



Operating data specification	
Capacity	
Head	
Fluid	Pure water
Type of installation	<Single head pump>

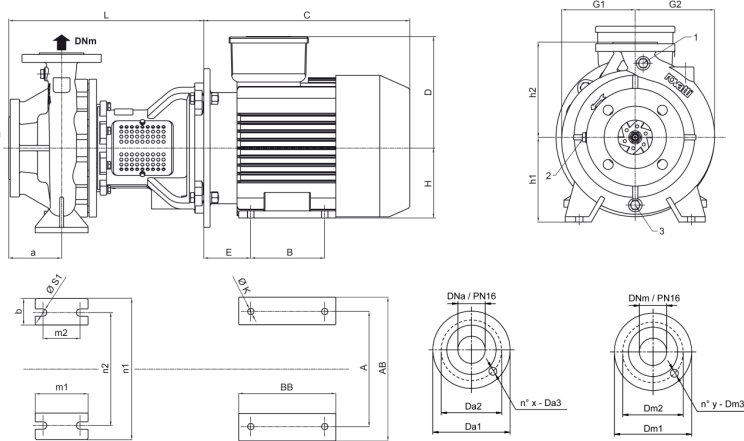
Pump operating data	
Design	MN7,5E80-200-4P-50-TM-S:
Impeller \varnothing	211 mm
Speed	1.450 1/min
Flow	
Head	
Shaft power P_2	
Efficiency	
Head ($Q=0$)	14,9 m
Non return valve loss	

Electric motor technical data	
Design	IEC 7,5 - 4
Rated power	5,5 kW
Frequency	50 Hz
Number of poles	4
Nominal speed	1.450 1/min
Rated voltage	3~ 400 V
Starting mode	Direct starting
Rated current	10,8 A
Insulation class	F
Degree of protection	IP 55

Use limits	
Max N° startings/hour	14
Max. running time with $Q=0$	2 min
Max. solids contents	40 g/m^3
Max. pumped liquid temperature	90 °C
Maximum density	998 kg/m^3
Maximum viscosity	1 mm^2/s

Materials	
Pump body	Cast iron
Impeller	Stainless steel
Wear ring	Cast iron
Support	Cast iron
Coupling	Cast iron
Shaft	Stainless steel

Shaft seal	
Cover	Cast iron
Spacer	Stainless steel
Seal face	Graphite
Seat	Ceramic
Seal ring	NBR
Spring	AISI 304 stainless steel

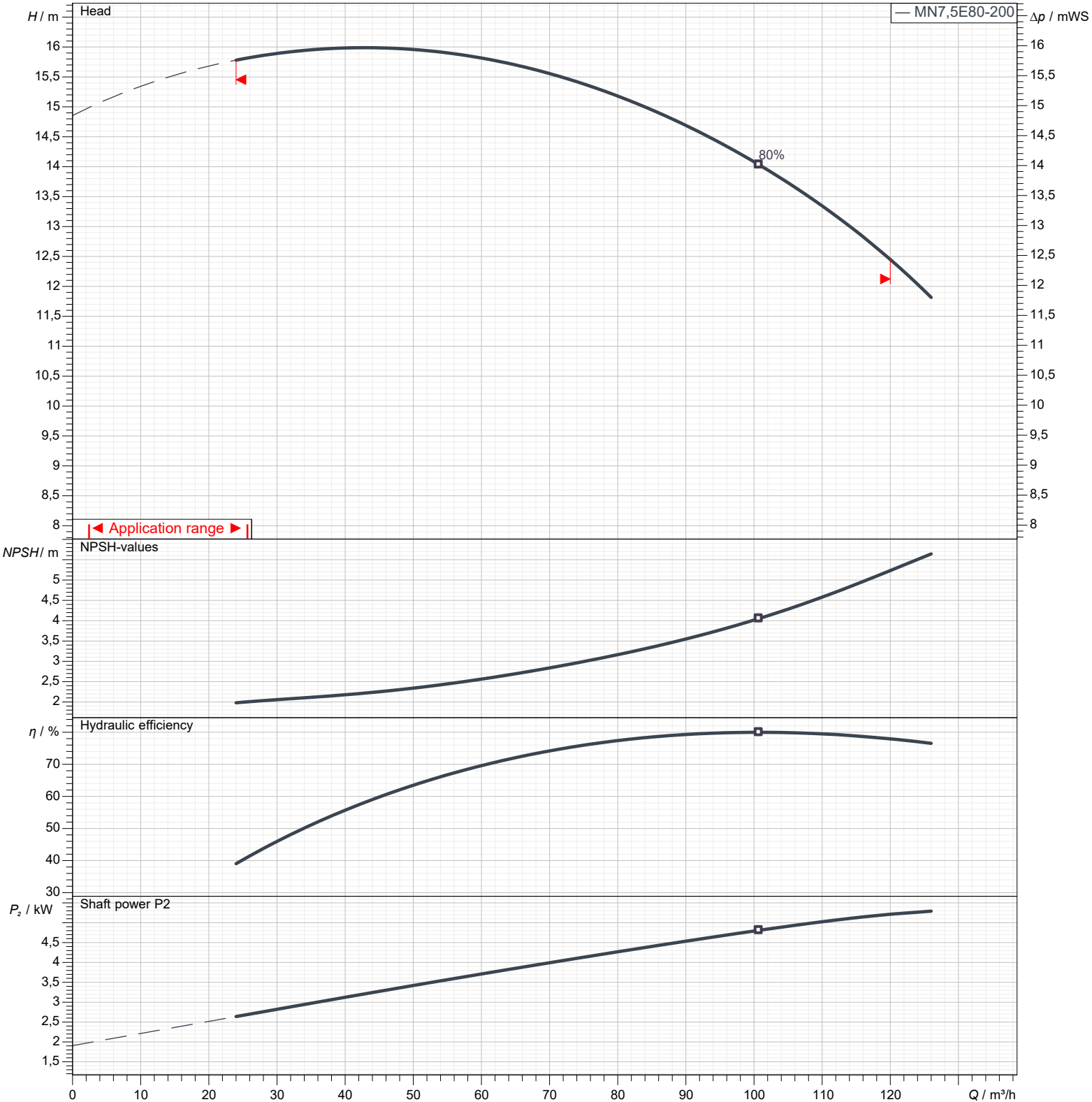


Dimensions in		mm		Total weight		117 kg	
a	125	Da1	220	E	89	m1	125
A	216	Da2	180	G1	163	m2	95
AB	265	Da3	18	G2	188	n1	345
b	65	Dm1	200	H	132	n2	280
B	140	Dm2	160	h1	180	s1	14
BB	190	Dm3	18	h2	250	x	8
C	403	DNa	100	K	12	y	8
D	206	DNrr	80	L	419		

Performance curves

MN7,5E80-200-4P-50-TM-SS

Performances				
Speed		1.450 1/min	Density	998 kg/m ³
Flow	Min.	24 m ³ /h	Viscosity	1 mm ² /s
	Max.	120 m ³ /h	Temperature	20 °C
Efficiency	Max.	101 m ³ /h	Tolerances	ISO 9906 Grade 3B



Types of installation

MN7,5E80-200-4P-50-TM-SS



Total weight		117 kg		Dimensions in mm	
a	125	h2	250		
A	216	K	12		
AB	265	L	419		
b	65	m1	125		
B	140	m2	95		
BB	190	n1	345		
C	403	n2	280		
D	206	s1	14		
Da1	220	x	8		
Da2	180	y	8		
Da3	18				
Dm1	200				
Dm2	160				
Dm3	18				
DNa	100				
DNm	80				
E	89				
G1	163				
G2	188				
H	132				
h1	180				