

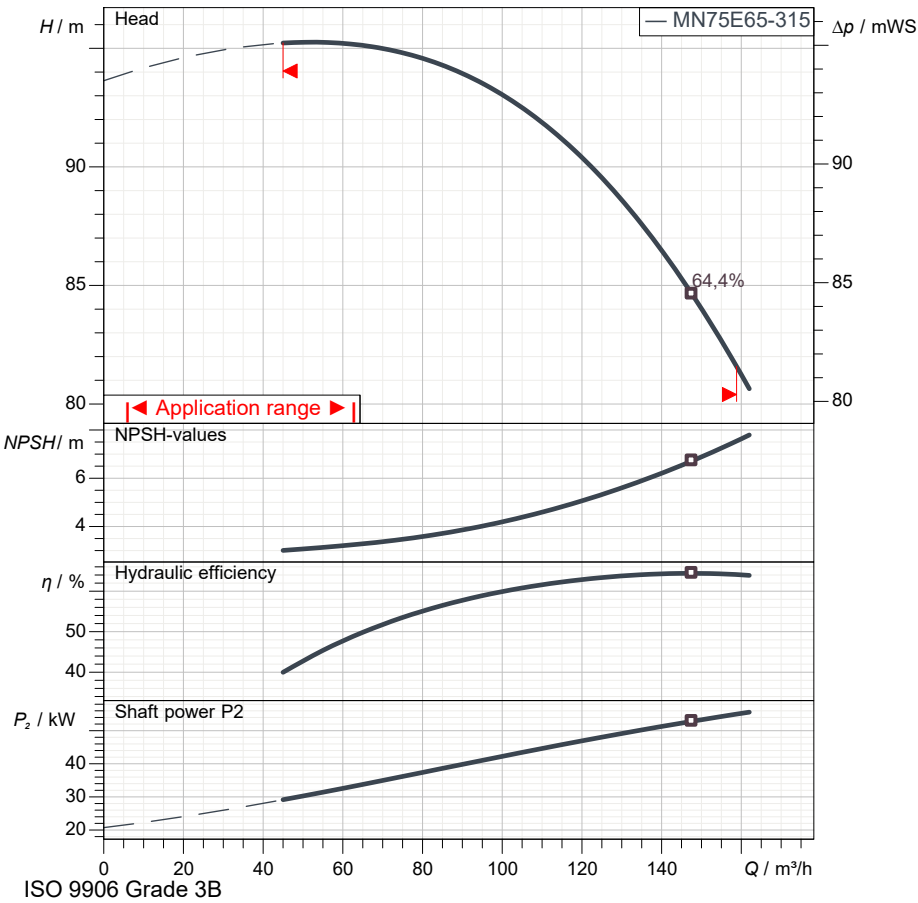
Product description

MN75E65-315-2P-50-TM-SS

Pos.no	Description	Item no	Qty.	UP / €	TP / €
1	Close-coupled electric pump according to EN 733 (DIN 24255)				
2	Centrifugal pump: MN75E65-315-2P-50-TM-SS		1	Price on req.	Price on req.
3	<p>Pump bodies</p> <p>Close-coupled electric pumps in compliance with EN 733 - DIN 24255 standards coupled to IEC standard electric motors through rigid coupling.</p> <p>Duty point</p> <p>Flow : / Head :</p> <p>Pump operating data</p> <p>Impeller diameter : 257 mm / Speed : 2.900 1/min</p> <p>Flow : / Head :</p> <p>Shaft power P2 : / Efficiency :</p> <p>Head (Q = 0) : 93,64 m</p> <p>Pump body : Cast iron</p> <p>Impeller : Stainless steel</p> <p>Wear ring : Cast iron</p> <p>Support : Cast iron</p> <p>Coupling : Cast iron</p> <p>Shaft : Stainless steel</p> <p>Max. solid contents : 40 g/m³</p> <p>Max. water temperature : 90 °C</p> <p>Max. running time with Q=0 : 2 min</p>				
4	Motor: IEC 75 - 2		1		
5	<p>Electric motor</p> <p>Three-phase IE3 asynchronous squirrel cage motor.</p> <p>Casing : Cast iron</p> <p>Protection : IP 55</p> <p>Insulation class : F</p> <p>Number of startings : max 4</p> <p>Max environment temperature : 40 °C</p> <p>Max altimetric level : 1000 m</p> <p>Weight : 426 kg</p> <p>Frequency : 50 Hz</p> <p>N. poles : 2</p> <p>P2 : 55 kW</p> <p>U : 400 V</p> <p>In 1/1 : 94,6 A</p> <p>EFF : 94,3 %</p> <p>CosPhi : 0,89</p>				
6	Shaft seal: Mechanical seal		1		
7	<p>Cover : Cast iron</p> <p>Spacer : Stainless steel</p> <p>Seal face : Graphite</p> <p>Seat : Ceramic</p> <p>Seal ring : NBR</p> <p>Spring : AISI 304 stainless steel</p>				

Technical data

MN75E65-315-2P-50-TM-SS



Operating data specification	
Capacity	
Head	
Fluid	Pure water
Type of installation	<Single head pump>

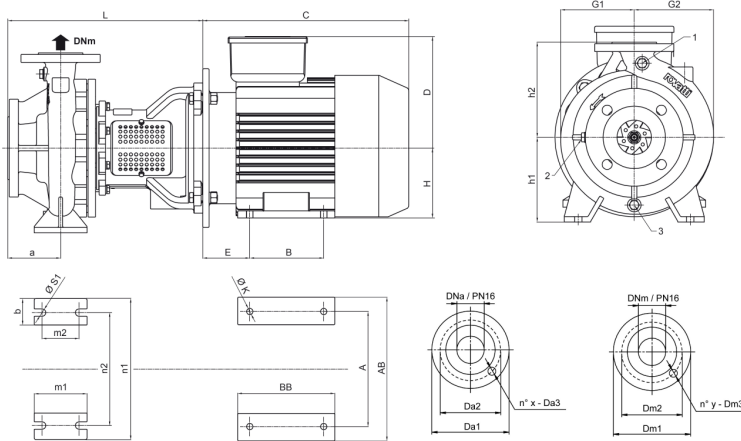
Pump operating data	
Design	MN75E65-315-2P-50-TM-SS
Impeller Ø	257 mm
Speed	2.900 1/min
Flow	
Head	
Shaft power P2	
Efficiency	
Head (Q=0)	93,6 m
Non return valve loss	

Electric motor technical data	
Design	IEC 75 - 2
Rated power	55 kW
Frequency	50 Hz
Number of poles	2
Nominal speed	2.900 1/min
Rated voltage	3~ 400 V
Starting mode	Direct starting
Rated current	94,6 A
Insulation class	F
Degree of protection	IP 55

Use limits	
Max N° startings/hour	4
Max. running time with Q=0	2 min
Max. solids contents	40 g/m³
Max. pumped liquid temperature	90 °C
Maximum density	998 kg/m³
Maximum viscosity	1 mm²/s

Materials	
Pump body	Cast iron
Impeller	Stainless steel
Wear ring	Cast iron
Support	Cast iron
Coupling	Cast iron
Shaft	Stainless steel

Shaft seal	
Cover	Cast iron
Spacer	Stainless steel
Seal face	Graphite
Seat	Ceramic
Seal ring	NBR
Spring	AISI 304 stainless steel

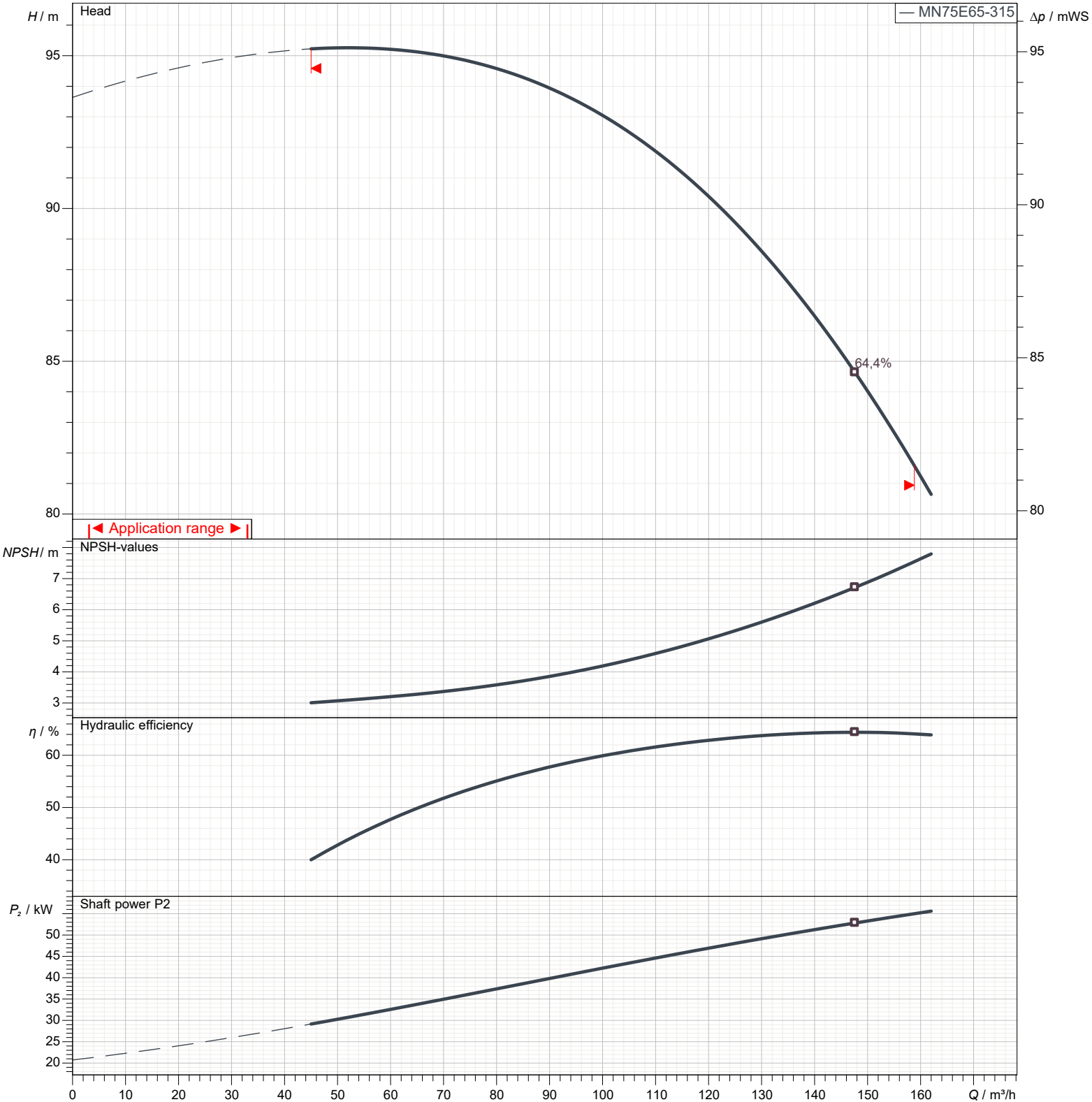


Dimensions in mm				Total weight				545 kg	
a	125	Da1	200	E	168	m1	160		
A	406	Da2	160	G1	207	m2	120		
AB	485	Da3	18	G2	226	n1	400		
b	80	Dm1	185	H	250	n2	315		
B	349	Dm2	145	h1	225	s1	19		
BB	445	Dm3	18	h2	280	x	8		
C	770	DNa	80	K	19	y	4		
D	375	DNrr	65	L	487				

Performance curves

MN75E65-315-2P-50-TM-SS

Performances				
Speed		2.900 1/min	Density	998 kg/m ³
Flow	Min.	45 m ³ /h	Viscosity	1 mm ² /s
	Max.	162 m ³ /h	Temperature	20 °C
Efficiency	Max.	148 m ³ /h	Tolerances	ISO 9906 Grade 3B



Types of installation

MN75E65-315-2P-50-TM-SS



Total weight		545 kg		Dimensions in mm	
a	125	h2	280		
A	406	K	19		
AB	485	L	487		
b	80	m1	160		
B	349	m2	120		
BB	445	n1	400		
C	770	n2	315		
D	375	s1	19		
Da1	200	x	8		
Da2	160	y	4		
Da3	18				
Dm1	185				
Dm2	145				
Dm3	18				
DNa	80				
DNm	65				
E	168				
G1	207				
G2	226				
H	250				
h1	225				