

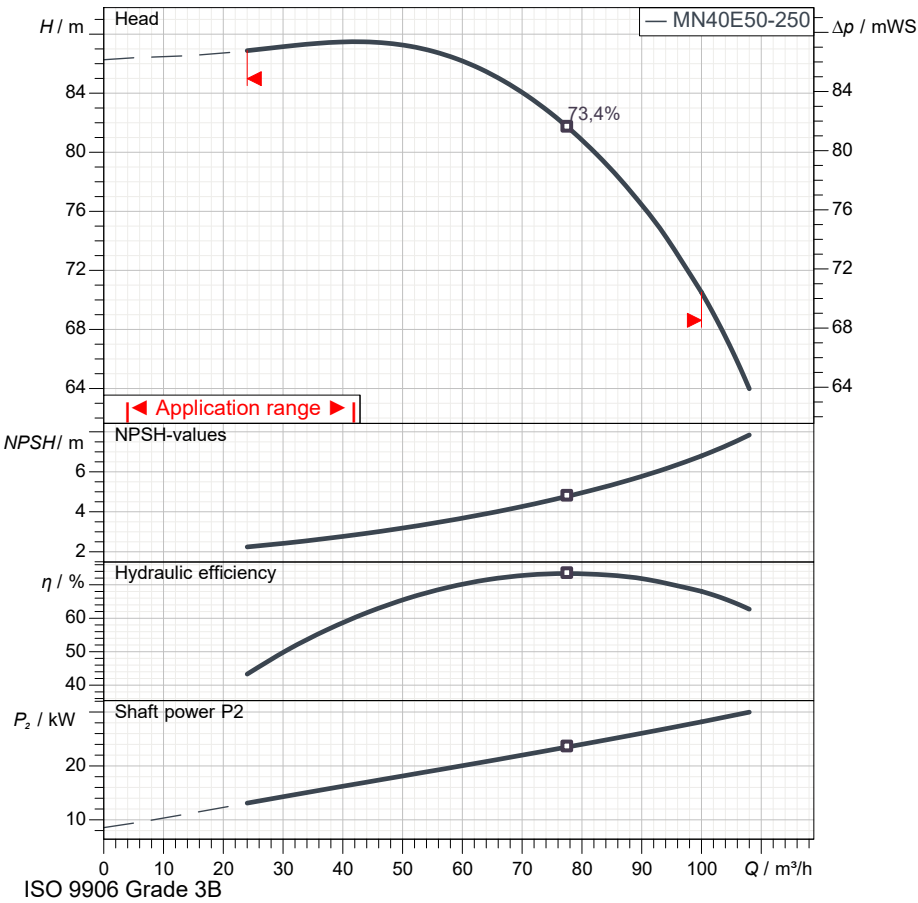
Product description

MN40E50-250-2P-50-TM-SS

Pos.no	Description	Item no	Qty.	UP / €	TP / €
1	Close-coupled electric pump according to EN 733 (DIN 24255)				
2	Centrifugal pump: MN40E50-250-2P-50-TM-SS		1	Price on req.	Price on req.
3	<p>Pump bodies</p> <p>Close-coupled electric pumps in compliance with EN 733 - DIN 24255 standards coupled to IEC standard electric motors through rigid coupling.</p> <p>Duty point</p> <p>Flow : / Head :</p> <p>Pump operating data</p> <p>Impeller diameter : 242 mm / Speed : 2.900 1/min</p> <p>Flow : / Head :</p> <p>Shaft power P2 : / Efficiency :</p> <p>Head (Q = 0) : 86,27 m</p> <p>Pump body : Cast iron</p> <p>Impeller : Stainless steel</p> <p>Wear ring : Cast iron</p> <p>Support : Cast iron</p> <p>Coupling : Cast iron</p> <p>Shaft : Stainless steel</p> <p>Max. solid contents : 40 g/m³</p> <p>Max. water temperature : 90 °C</p> <p>Max. running time with Q=0 : 2 min</p>				
4	Motor: IEC 40 - 2		1		
5	<p>Electric motor</p> <p>Three-phase IE3 asynchronous squirrel cage motor.</p> <p>Casing : Cast iron</p> <p>Protection : IP 55</p> <p>Insulation class : F</p> <p>Number of startings : max 5</p> <p>Max environment temperature : 40 °C</p> <p>Max altimetric level : 1000 m</p> <p>Weight : 250 kg</p> <p>Frequency : 50 Hz</p> <p>N. poles : 2</p> <p>P2 : 30 kW</p> <p>U : 400 V</p> <p>In 1/1 : 52,1 A</p> <p>EFF : 93,3 %</p> <p>CosPhi : 0,89</p>				
6	Shaft seal: Mechanical seal		1		
7	<p>Cover : Cast iron</p> <p>Spacer : Stainless steel</p> <p>Seal face : Graphite</p> <p>Seat : Ceramic</p> <p>Seal ring : NBR</p> <p>Spring : AISI 304 stainless steel</p>				

Technical data

MN40E50-250-2P-50-TM-SS



Operating data specification	
Capacity	
Head	
Fluid	Pure water
Type of installation	<Single head pump>

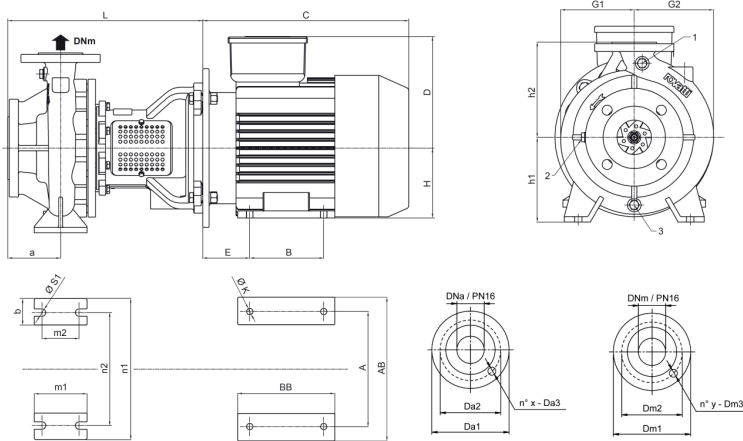
Pump operating data	
Design	MN40E50-250-2P-50-TM-SS
Impeller Ø	242 mm
Speed	2.900 1/min
Flow	
Head	
Shaft power P2	
Efficiency	
Head (Q=0)	86,3 m
Non return valve loss	

Electric motor technical data	
Design	IEC 40 - 2
Rated power	30 kW
Frequency	50 Hz
Number of poles	2
Nominal speed	2.900 1/min
Rated voltage	3~ 400 V
Starting mode	Direct starting
Rated current	52,1 A
Insulation class	F
Degree of protection	IP 55

Use limits	
Max N° startings/hour	5
Max. running time with Q=0	2 min
Max. solids contents	40 g/m ³
Max. pumped liquid temperature	90 °C
Maximum density	998 kg/m ³
Maximum viscosity	1 mm ² /s

Materials	
Pump body	Cast iron
Impeller	Stainless steel
Wear ring	Cast iron
Support	Cast iron
Coupling	Cast iron
Shaft	Stainless steel

Shaft seal	
Cover	Cast iron
Spacer	Stainless steel
Seal face	Graphite
Seat	Ceramic
Seal ring	NBR
Spring	AISI 304 stainless steel

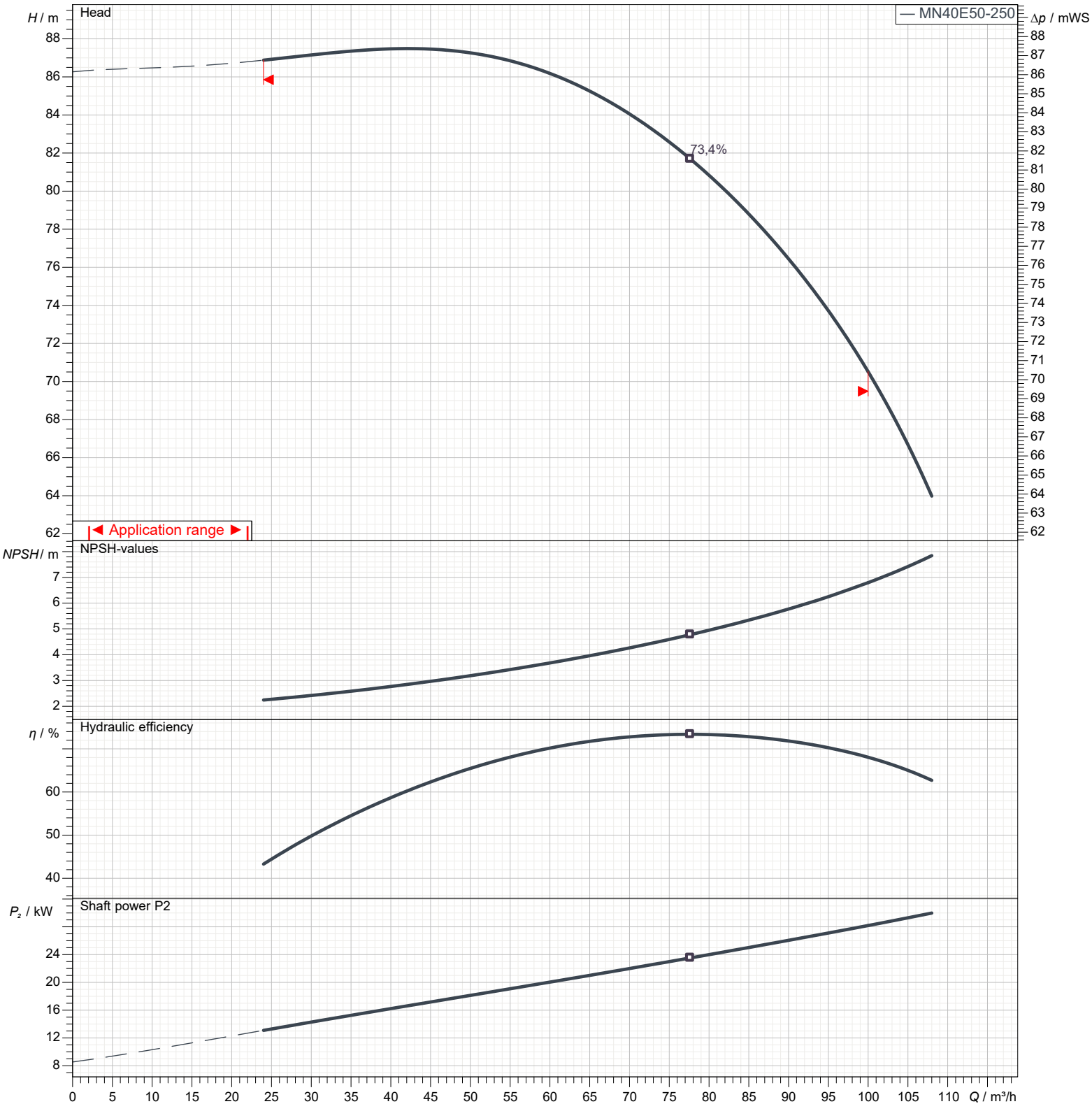


Dimensions in mm				Total weight				318 kg	
a	100	Da1	185	E	133	m1	125		
A	318	Da2	145	G1	167	m2	95		
AB	390	Da3	18	G2	179	n1	320		
b	65	Dm1	165	H	200	n2	250		
B	305	Dm2	125	h1	180	s1	14		
BB	370	Dm3	18	h2	225	x	4		
C	675	DNa	65	K	19	y	4		
D	300	DNrr	50	L	407				

Performance curves

MN40E50-250-2P-50-TM-SS

Performances				
Speed		2.900 1/min	Density	998 kg/m ³
Flow	Min.	24 m ³ /h	Viscosity	1 mm ² /s
	Max.	100 m ³ /h	Temperature	20 °C
Efficiency	Max.	77,6 m ³ /h	Tolerances	ISO 9906 Grade 3B



Types of installation

MN40E50-250-2P-50-TM-SS



Total weight		318 kg		Dimensions in mm	
a	100	h2	225		
A	318	K	19		
AB	390	L	407		
b	65	m1	125		
B	305	m2	95		
BB	370	n1	320		
C	675	n2	250		
D	300	s1	14		
Da1	185	x	4		
Da2	145	y	4		
Da3	18				
Dm1	165				
Dm2	125				
Dm3	18				
DNa	65				
DNm	50				
E	133				
G1	167				
G2	179				
H	200				
h1	180				