

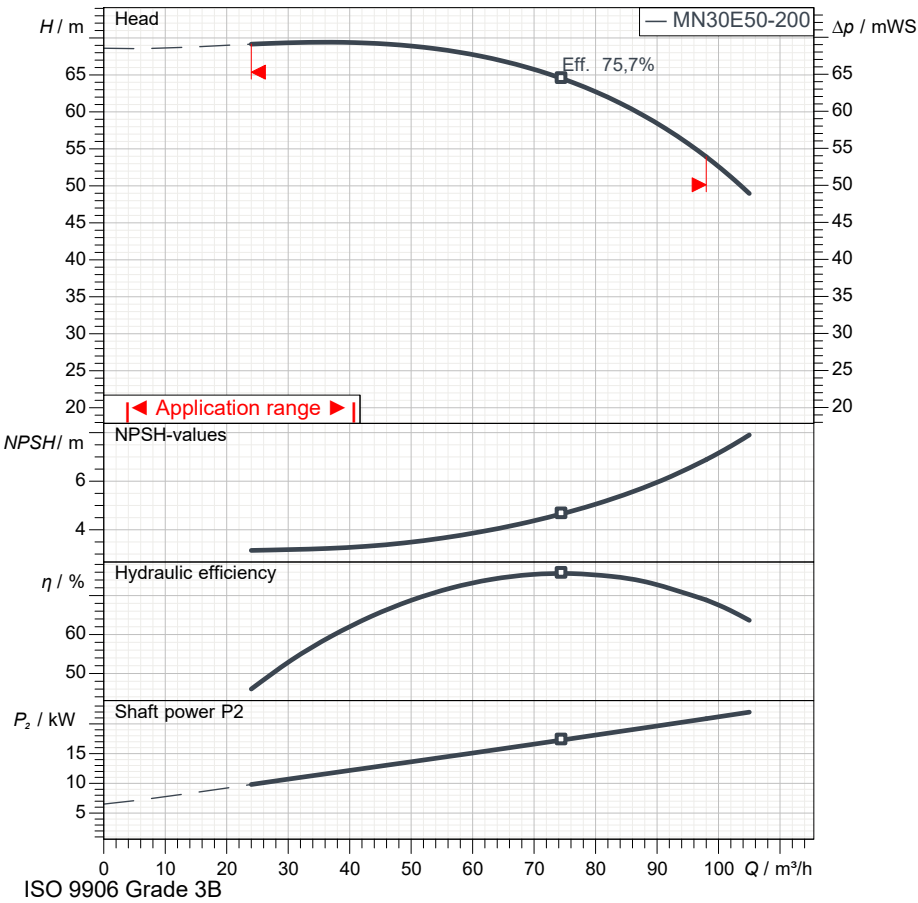
## Product description

### MN30E50-200-2P-50-TM-SS

Pos.no	Description	Item no	Qty.	UP / €	TP / €
1	<b>Close-coupled electric pump according to EN 733 (DIN 24255)</b>				
2	Centrifugal pump: MN30E50-200-2P-50-TM-SS		1	Price on req.	Price on req.
3	<p>Pump bodies</p> <p>Close-coupled electric pumps in compliance with EN 733 - DIN 24255 standards coupled to IEC standard electric motors through rigid coupling.</p> <p>Duty point</p> <p>Flow : / Head :</p> <p>Pump operating data</p> <p>Impeller diameter : 213 mm / Speed : 2.900 1/min</p> <p>Flow : / Head :</p> <p>Shaft power P2 : / Efficiency :</p> <p>Head (Q = 0) : 68,61 m</p> <p>Pump body : Cast iron</p> <p>Impeller : Stainless steel</p> <p>Wear ring : Cast iron</p> <p>Support : Cast iron</p> <p>Coupling : Cast iron</p> <p>Shaft : Stainless steel</p> <p>Max. solid contents : 40 g/m<sup>3</sup></p> <p>Max. water temperature : 90 °C</p> <p>Max. running time with Q=0 : 2 min</p>				
4	Motor: IEC 30 - 2		1		
5	<p>Electric motor</p> <p>Three-phase IE3 asynchronous squirrel cage motor.</p> <p>Casing : Cast iron</p> <p>Protection : IP 55</p> <p>Insulation class : F</p> <p>Number of startings : max 6</p> <p>Max environment temperature : 40 °C</p> <p>Max altimetric level : 1000 m</p> <p>Weight : 182 kg</p> <p>Frequency : 50 Hz</p> <p>N. poles : 2</p> <p>P2 : 22 kW</p> <p>U : 400 V</p> <p>In 1/1 : 38,1 A</p> <p>EFF : 92,7 %</p> <p>CosPhi : 0,9</p>				
6	Shaft seal: Mechanical seal		1		
7	<p>Cover : Cast iron</p> <p>Spacer : Stainless steel</p> <p>Seal face : Graphite</p> <p>Seat : Ceramic</p> <p>Seal ring : NBR</p> <p>Spring : AISI 304 stainless steel</p>				

## Technical data

### MN30E50-200-2P-50-TM-SS



Operating data specification	
Capacity	
Head	
Fluid	Pure water
Type of installation	<Single head pump>

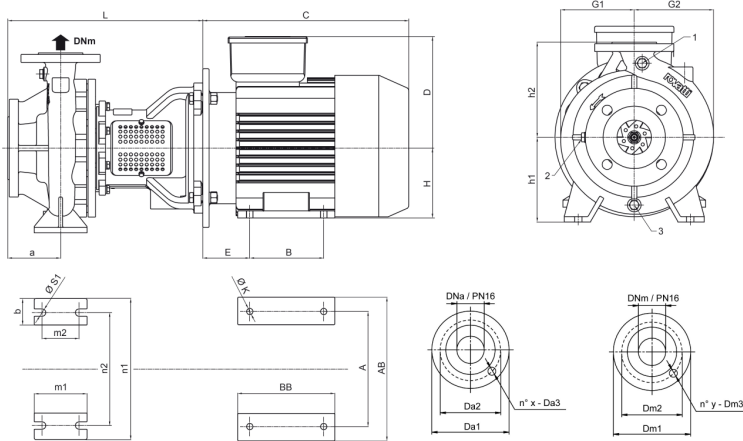
Pump operating data	
Design	MN30E50-200-2P-50-TM-SS
Impeller Ø	213 mm
Speed	2.900 1/min
Flow	
Head	
Shaft power P2	
Efficiency	
Head (Q=0)	68,6 m
Non return valve loss	

Electric motor technical data	
Design	IEC 30 - 2
Rated power	22 kW
Frequency	50 Hz
Number of poles	2
Nominal speed	2.900 1/min
Rated voltage	3~ 400 V
Starting mode	Direct starting
Rated current	38,1 A
Insulation class	F
Degree of protection	IP 55

Use limits	
Max N° startings/hour	6
Max. running time with Q=0	2 min
Max. solids contents	40 g/m³
Max. pumped liquid temperature	90 °C
Maximum density	998 kg/m³
Maximum viscosity	1 mm²/s

Materials	
Pump body	Cast iron
Impeller	Stainless steel
Wear ring	Cast iron
Support	Cast iron
Coupling	Cast iron
Shaft	Stainless steel

Shaft seal	
Cover	Cast iron
Spacer	Stainless steel
Seal face	Graphite
Seat	Ceramic
Seal ring	NBR
Spring	AISI 304 stainless steel

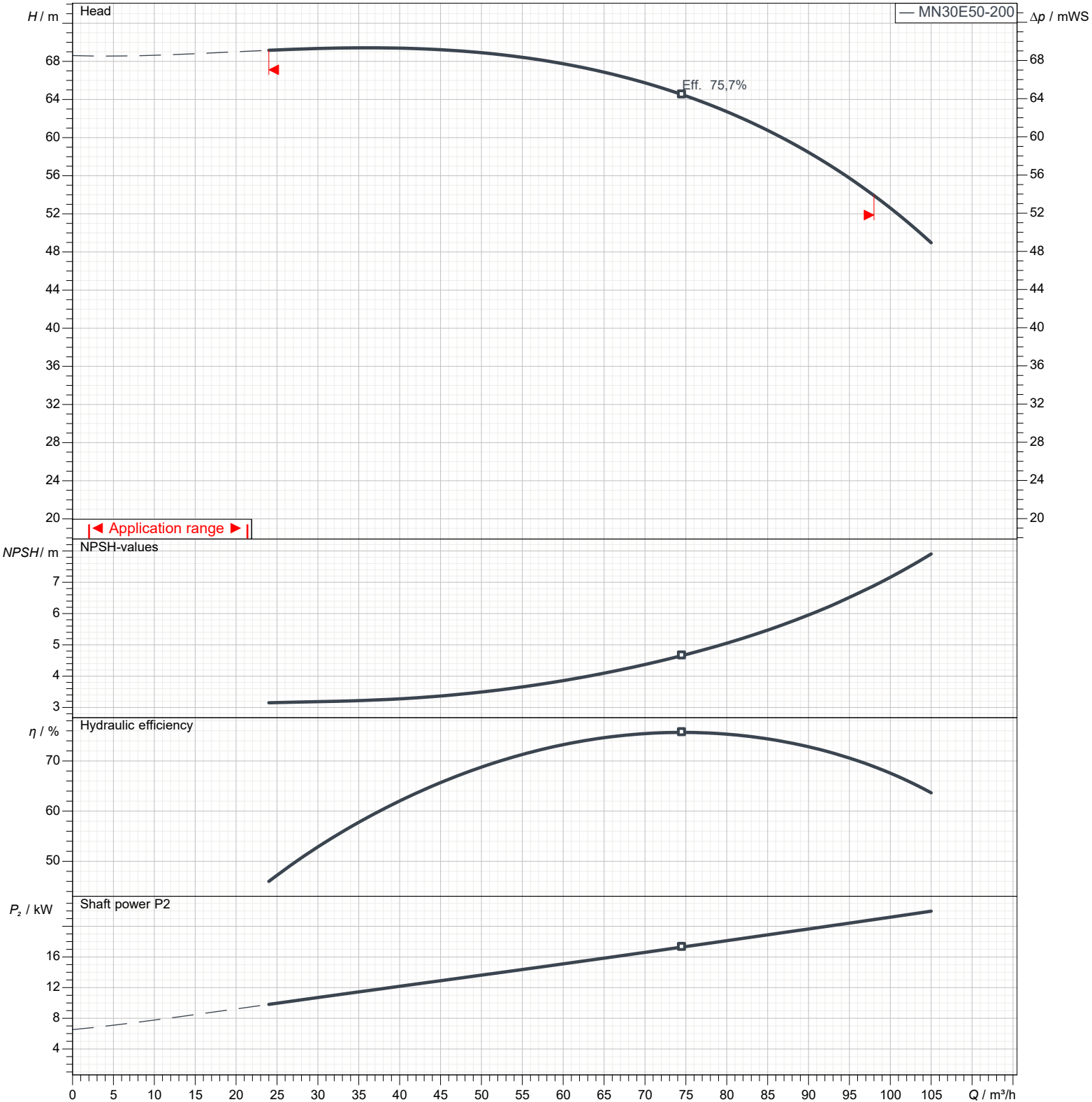


Dimensions in mm				Total weight 234 kg			
a	100	Da1	185	E	121	m1	100
A	279	Da2	145	G1	143	m2	70
AB	350	Da3	18	G2	156	n1	265
b	50	Dm1	165	H	180	n2	212
B	241	Dm2	125	h1	160	s1	14
BB	315	Dm3	18	h2	200	x	4
C	580	DNa	65	K	15	y	4
D	280	DNrr	50	L	407		

## Performance curves

### MN30E50-200-2P-50-TM-SS

Performances				
Speed		2.900 1/min	Density	998 kg/m <sup>3</sup>
Flow	Min.	24 m <sup>3</sup> /h	Viscosity	1 mm <sup>2</sup> /s
	Max.	98 m <sup>3</sup> /h	Temperature	20 °C
Efficiency	Max.	74,5 m <sup>3</sup> /h	Tolerances	ISO 9906 Grade 3B



## Types of installation

MN30E50-200-2P-50-TM-SS



Total weight		234 kg		Dimensions in mm	
a	100	h2	200		
A	279	K	15		
AB	350	L	407		
b	50	m1	100		
B	241	m2	70		
BB	315	n1	265		
C	580	n2	212		
D	280	s1	14		
Da1	185	x	4		
Da2	145	y	4		
Da3	18				
Dm1	165				
Dm2	125				
Dm3	18				
DNa	65				
DNm	50				
E	121				
G1	143				
G2	156				
H	180				
h1	160				