

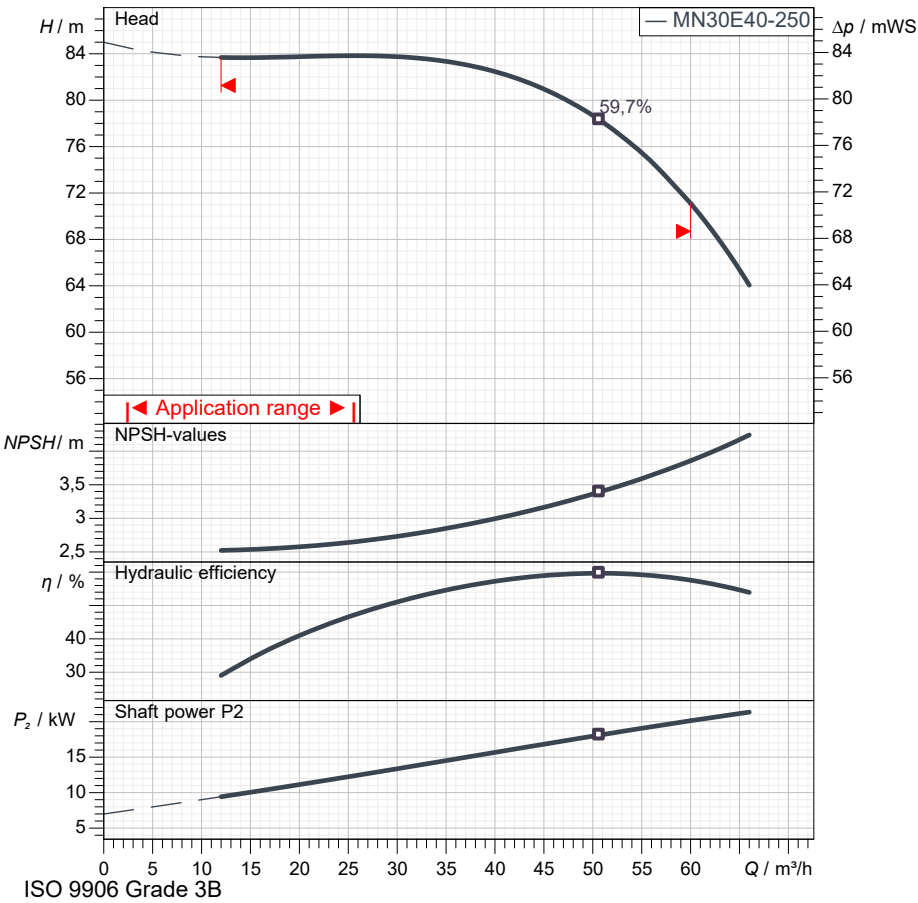
## Product description

### MN30E40-250-2P-50-TM-SS

Pos.no	Description	Item no	Qty.	UP / €	TP / €
1	<b>Close-coupled electric pump according to EN 733 (DIN 24255)</b>				
2	Centrifugal pump: MN30E40-250-2P-50-TM-SS		1	Price on req.	Price on req.
3	<p>Pump bodies</p> <p>Close-coupled electric pumps in compliance with EN 733 - DIN 24255 standards coupled to IEC standard electric motors through rigid coupling.</p> <p>Duty point</p> <p>Flow : / Head :</p> <p>Pump operating data</p> <p>Impeller diameter : 243 mm / Speed : 2.900 1/min</p> <p>Flow : / Head :</p> <p>Shaft power P2 : / Efficiency :</p> <p>Head (Q = 0) : 84,99 m</p> <p>Pump body : Cast iron</p> <p>Impeller : Stainless steel</p> <p>Wear ring : Cast iron</p> <p>Support : Cast iron</p> <p>Coupling : Cast iron</p> <p>Shaft : Stainless steel</p> <p>Max. solid contents : 40 g/m<sup>3</sup></p> <p>Max. water temperature : 90 °C</p> <p>Max. running time with Q=0 : 2 min</p>				
4	Motor: IEC 30 - 2		1		
5	<p>Electric motor</p> <p>Three-phase IE3 asynchronous squirrel cage motor.</p> <p>Casing : Cast iron</p> <p>Protection : IP 55</p> <p>Insulation class : F</p> <p>Number of startings : max 6</p> <p>Max environment temperature : 40 °C</p> <p>Max altimetric level : 1000 m</p> <p>Weight : 182 kg</p> <p>Frequency : 50 Hz</p> <p>N. poles : 2</p> <p>P2 : 22 kW</p> <p>U : 400 V</p> <p>In 1/1 : 38,1 A</p> <p>EFF : 92,7 %</p> <p>CosPhi : 0,9</p>				
6	Shaft seal: Mechanical seal		1		
7	<p>Cover : Cast iron</p> <p>Spacer : Stainless steel</p> <p>Seal face : Graphite</p> <p>Seat : Ceramic</p> <p>Seal ring : NBR</p> <p>Spring : AISI 304 stainless steel</p>				

## Technical data

### MN30E40-250-2P-50-TM-SS



Operating data specification	
Capacity	
Head	
Fluid	Pure water
Type of installation	<Single head pump>

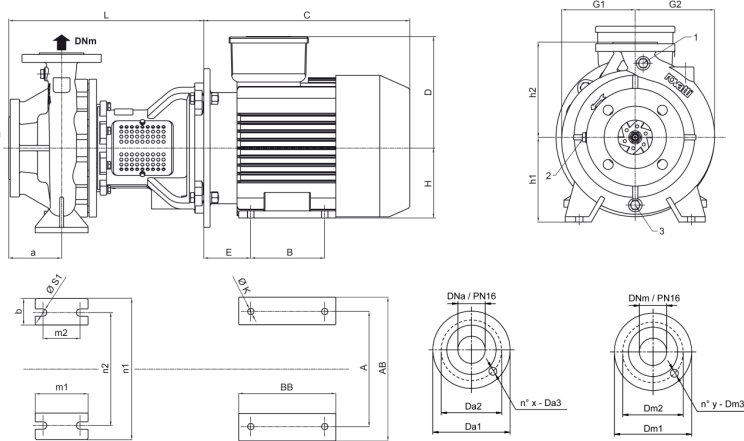
Pump operating data	
Design	MN30E40-250-2P-50-TM-SS
Impeller Ø	243 mm
Speed	2.900 1/min
Flow	
Head	
Shaft power P2	
Efficiency	
Head (Q=0)	85 m
Non return valve loss	

Electric motor technical data	
Design	IEC 30 - 2
Rated power	22 kW
Frequency	50 Hz
Number of poles	2
Nominal speed	2.900 1/min
Rated voltage	3~ 400 V
Starting mode	Direct starting
Rated current	38,1 A
Insulation class	F
Degree of protection	IP 55

Use limits	
Max N° startings/hour	6
Max. running time with Q=0	2 min
Max. solids contents	40 g/m³
Max. pumped liquid temperature	90 °C
Maximum density	998 kg/m³
Maximum viscosity	1 mm²/s

Materials	
Pump body	Cast iron
Impeller	Stainless steel
Wear ring	Cast iron
Support	Cast iron
Coupling	Cast iron
Shaft	Stainless steel

Shaft seal	
Cover	Cast iron
Spacer	Stainless steel
Seal face	Graphite
Seat	Ceramic
Seal ring	NBR
Spring	AISI 304 stainless steel

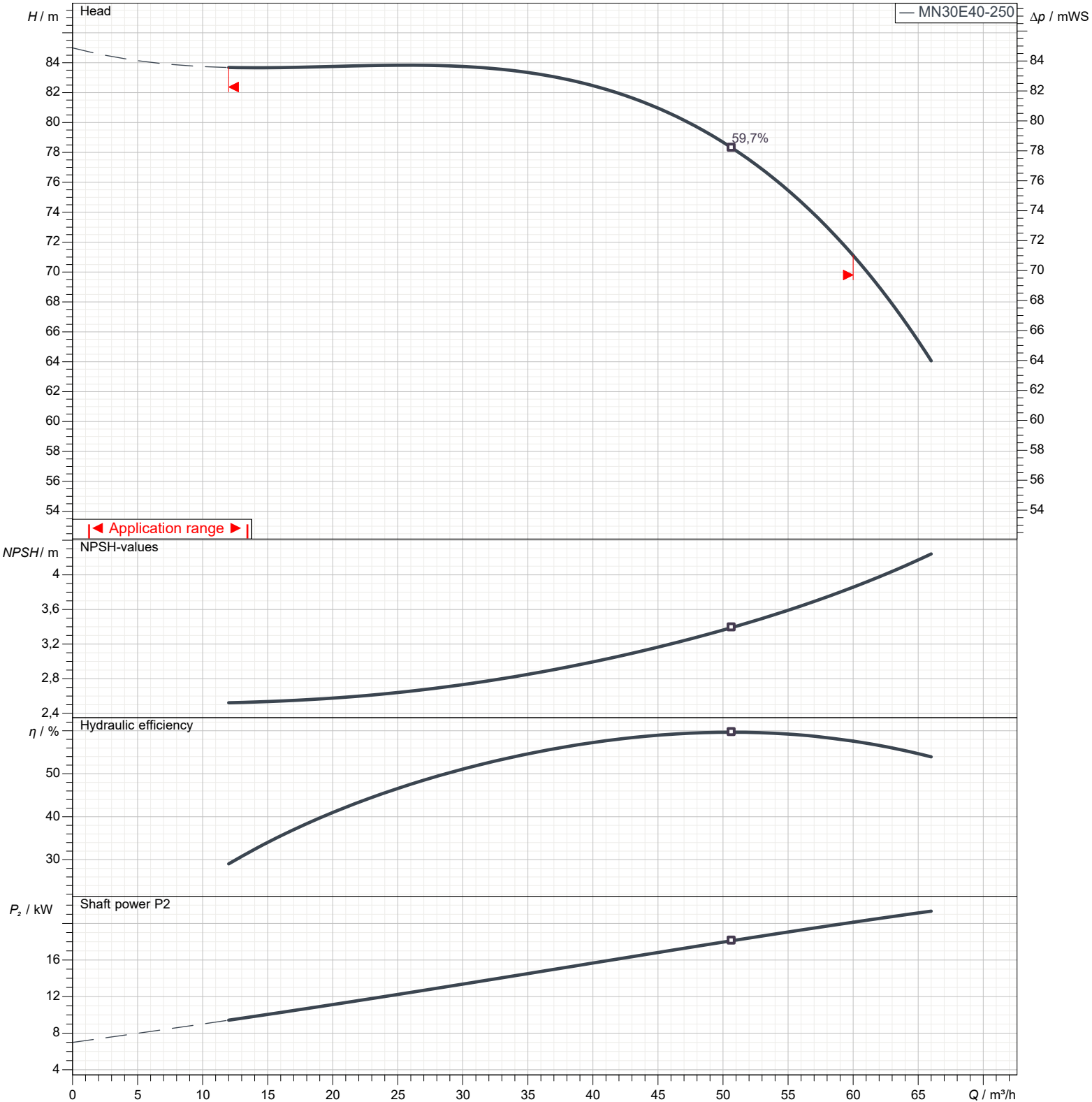


Dimensions in		mm		Total weight		245 kg	
a	100	Da1	185	E	121	m1	125
A	279	Da2	145	G1	166	m2	95
AB	350	Da3	18	G2	175	n1	320
b	65	Dm1	150	H	180	n2	250
B	241	Dm2	110	h1	180	s1	14
BB	315	Dm3	18	h2	225	x	4
C	580	DNa	65	K	15	y	4
D	280	DNrr	40	L	407		

## Performance curves

### MN30E40-250-2P-50-TM-SS

Performances				
Speed		2.900 1/min	Density	998 kg/m <sup>3</sup>
Flow	Min.	12 m <sup>3</sup> /h	Viscosity	1 mm <sup>2</sup> /s
	Max.	60 m <sup>3</sup> /h		
Efficiency	Max.	50,7 m <sup>3</sup> /h	Temperature	20 °C
				Tolerances



## Types of installation

### MN30E40-250-2P-50-TM-SS



Total weight		245 kg		Dimensions in mm	
a	100	h2	225		
A	279	K	15		
AB	350	L	407		
b	65	m1	125		
B	241	m2	95		
BB	315	n1	320		
C	580	n2	250		
D	280	s1	14		
Da1	185	x	4		
Da2	145	y	4		
Da3	18				
Dm1	150				
Dm2	110				
Dm3	18				
DNa	65				
DNm	40				
E	121				
G1	166				
G2	175				
H	180				
h1	180				