

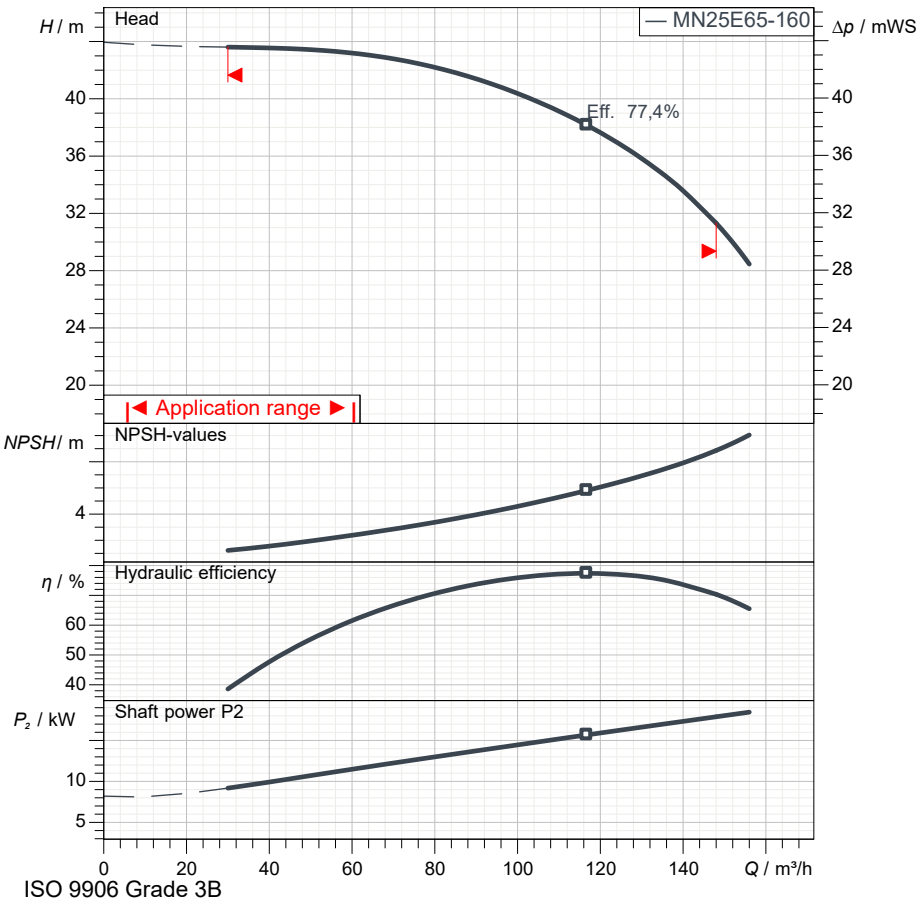
## Product description

### MN25E65-160-2P-50-TM-SS

Pos.no	Description	Item no	Qty.	UP / €	TP / €
1	<b>Close-coupled electric pump according to EN 733 (DIN 24255)</b>				
2	Centrifugal pump: MN25E65-160-2P-50-TM-SS		1	Price on req.	Price on req.
3	<p>Pump bodies</p> <p>Close-coupled electric pumps in compliance with EN 733 - DIN 24255 standards coupled to IEC standard electric motors through rigid coupling.</p> <p>Duty point</p> <p>Flow : / Head :</p> <p>Pump operating data</p> <p>Impeller diameter : 175 mm / Speed : 2.900 1/min</p> <p>Flow : / Head :</p> <p>Shaft power P2 : / Efficiency :</p> <p>Head (Q = 0) : 43,95 m</p> <p>Pump body : Cast iron</p> <p>Impeller : Stainless steel</p> <p>Wear ring : Cast iron</p> <p>Support : Cast iron</p> <p>Coupling : Cast iron</p> <p>Shaft : Stainless steel</p> <p>Max. solid contents : 40 g/m<sup>3</sup></p> <p>Max. water temperature : 90 °C</p> <p>Max. running time with Q=0 : 2 min</p>				
4	Motor: IEC 25 - 2		1		
5	<p>Electric motor</p> <p>Three-phase IE3 asynchronous squirrel cage motor.</p> <p>Casing : Cast iron</p> <p>Protection : IP 55</p> <p>Insulation class : F</p> <p>Number of startings : max 6</p> <p>Max environment temperature : 40 °C</p> <p>Max altimetric level : 1000 m</p> <p>Weight : 138 kg</p> <p>Frequency : 50 Hz</p> <p>N. poles : 2</p> <p>P2 : 18,5 kW</p> <p>U : 400 V</p> <p>In 1/1 : 32,5 A</p> <p>EFF : 92,4 %</p> <p>CosPhi : 0,89</p>				
6	Shaft seal: Mechanical seal		1		
7	<p>Cover : Cast iron</p> <p>Spacer : Stainless steel</p> <p>Seal face : Graphite</p> <p>Seat : Ceramic</p> <p>Seal ring : NBR</p> <p>Spring : AISI 304 stainless steel</p>				

## Technical data

### MN25E65-160-2P-50-TM-SS



Operating data specification	
Capacity	
Head	
Fluid	Pure water
Type of installation	<Single head pump>

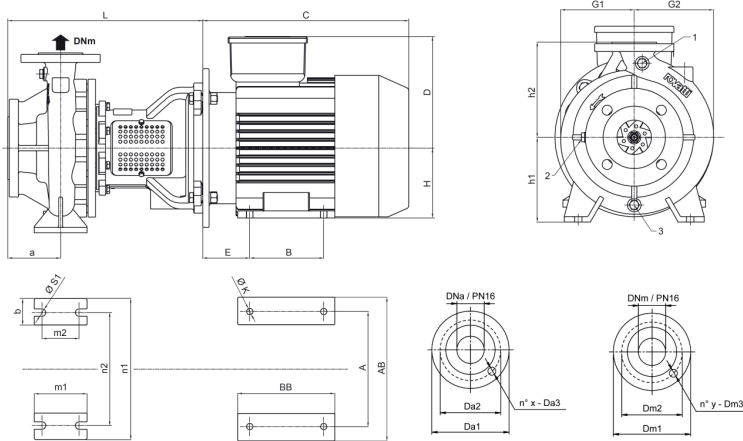
Pump operating data	
Design	MN25E65-160-2P-50-TM-SS
Impeller Ø	175 mm
Speed	2.900 1/min
Flow	
Head	
Shaft power P2	
Efficiency	
Head (Q=0)	43,9 m
Non return valve loss	

Electric motor technical data	
Design	IEC 25 - 2
Rated power	18,5 kW
Frequency	50 Hz
Number of poles	2
Nominal speed	2.900 1/min
Rated voltage	3~ 400 V
Starting mode	Direct starting
Rated current	32,5 A
Insulation class	F
Degree of protection	IP 55

Use limits	
Max N° startings/hour	6
Max. running time with Q=0	2 min
Max. solids contents	40 g/m³
Max. pumped liquid temperature	90 °C
Maximum density	998 kg/m³
Maximum viscosity	1 mm²/s

Materials	
Pump body	Cast iron
Impeller	Stainless steel
Wear ring	Cast iron
Support	Cast iron
Coupling	Cast iron
Shaft	Stainless steel

Shaft seal	
Cover	Cast iron
Spacer	Stainless steel
Seal face	Graphite
Seat	Ceramic
Seal ring	NBR
Spring	AISI 304 stainless steel

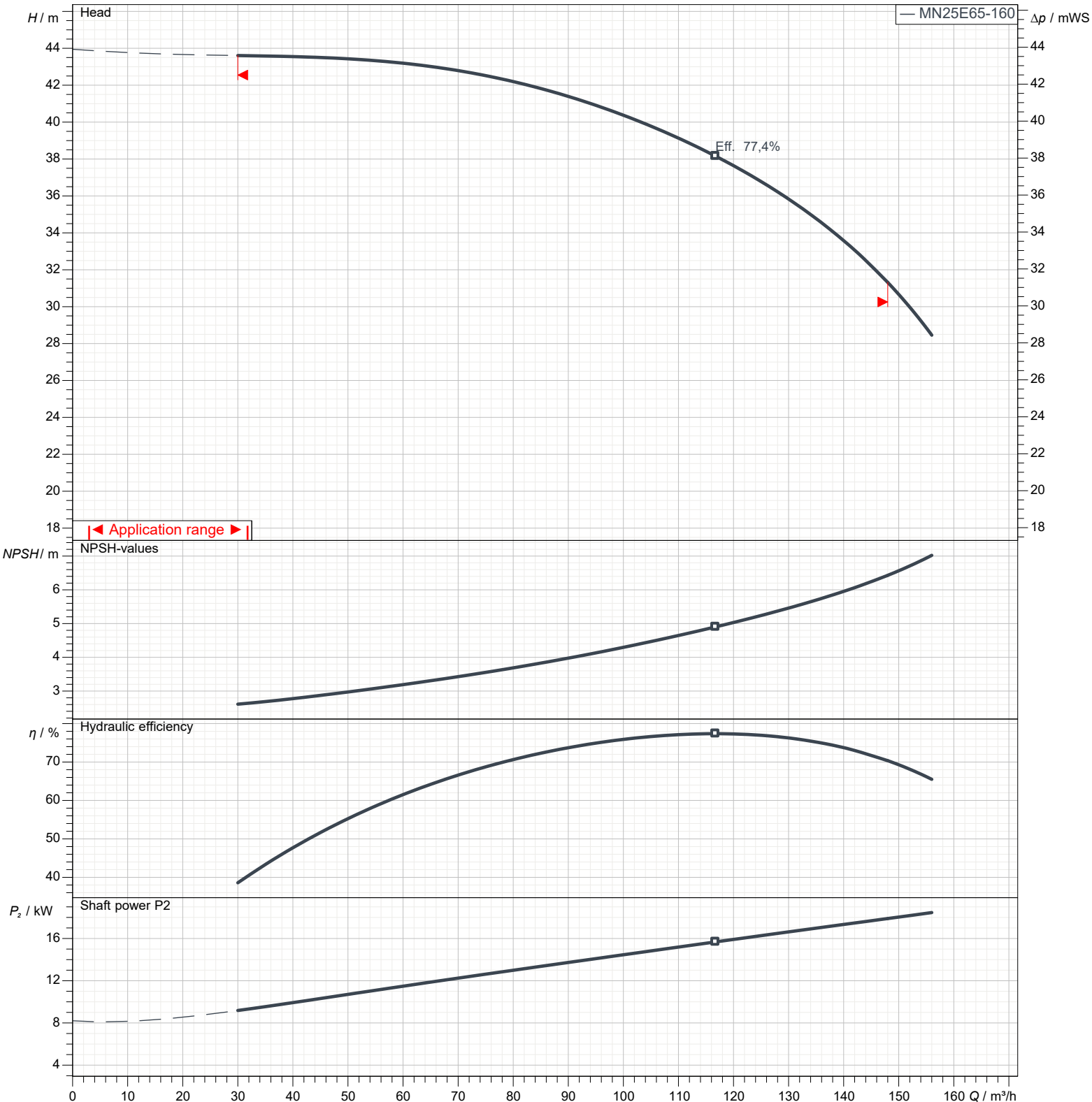


Dimensions in mm				Total weight				189 kg	
a	100	Da1	200	E	108	m1	125		
A	254	Da2	160	G1	137	m2	95		
AB	315	Da3	18	G2	160	n1	280		
b	65	Dm1	185	H	160	n2	212		
B	254	Dm2	145	h1	160	s1	14		
BB	305	Dm3	18	h2	200	x	8		
C	543	DNa	80	K	15	y	4		
D	250	DNrr	65	L	407				

## Performance curves

### MN25E65-160-2P-50-TM-SS

Performances				
Speed		2.900 1/min	Density	998 kg/m <sup>3</sup>
Flow	Min.	30 m <sup>3</sup> /h	Viscosity	1 mm <sup>2</sup> /s
	Max.	148 m <sup>3</sup> /h	Temperature	20 °C
Efficiency	Max.	117 m <sup>3</sup> /h	Tolerances	ISO 9906 Grade 3B



## Types of installation

### MN25E65-160-2P-50-TM-SS



Total weight		189 kg		Dimensions in mm	
a	100	h2	200		
A	254	K	15		
AB	315	L	407		
b	65	m1	125		
B	254	m2	95		
BB	305	n1	280		
C	543	n2	212		
D	250	s1	14		
Da1	200	x	8		
Da2	160	y	4		
Da3	18				
Dm1	185				
Dm2	145				
Dm3	18				
DNa	80				
DNm	65				
E	108				
G1	137				
G2	160				
H	160				
h1	160				