

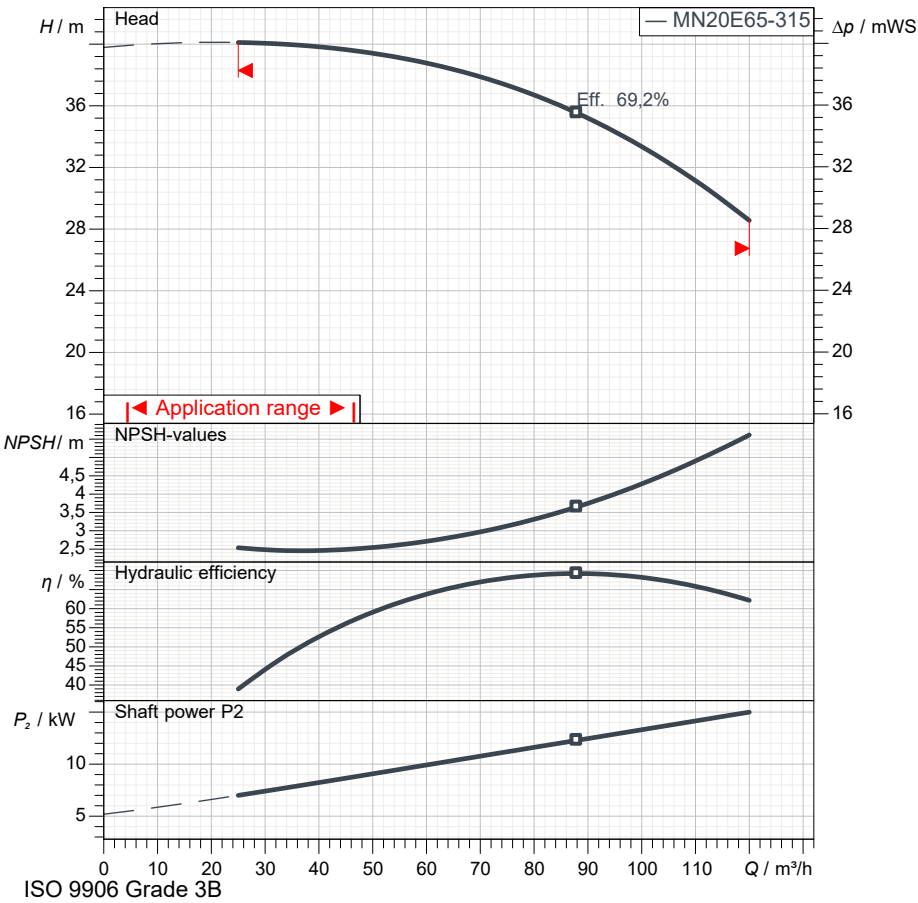
Product description

MN20E65-315-4P-50-TM-SS

Pos.no	Description	Item no	Qty.	UP / €	TP / €
1	Close-coupled electric pump according to EN 733 (DIN 24255)				
2	Centrifugal pump: MN20E65-315-4P-50-TM-SS		1	Price on req.	Price on req.
3	Pump bodies Close-coupled electric pumps in compliance with EN 733 - DIN 24255 standards coupled to IEC standard electric motors through rigid coupling. Duty point Flow : / Head : Pump operating data Impeller diameter : 330 mm / Speed : 1.450 1/min Flow : / Head : Shaft power P2 : / Efficiency : Head (Q = 0) : 39,79 m Pump body : Cast iron Impeller : Stainless steel Wear ring : Cast iron Support : Cast iron Coupling : Cast iron Shaft : Stainless steel Max. solid contents : 40 g/m ³ Max. water temperature : 90 °C Max. running time with Q=0 : 2 min				
4	Motor: IEC 20 - 4		1		
5	Electric motor Three-phase IE3 asynchronous squirrel cage motor. Casing : Cast iron Protection : IP 55 Insulation class : F Number of startings : max 14 Max environment temperature : 40 °C Max altimetric level : 1000 m Weight : 141 kg Frequency : 50 Hz N. poles : 4 P2 : 15 kW U : 400 V In 1/1 : 27,3 A EFF : 92,1 % CosPhi : 0,86				
6	Shaft seal: Mechanical seal		1		
7	Cover : Cast iron Spacer : Stainless steel Seal face : Graphite Seat : Ceramic Seal ring : NBR Spring : AISI 304 stainless steel				

Technical data

MN20E65-315-4P-50-TM-SS



Operating data specification	
Capacity	
Head	
Fluid	Pure water
Type of installation	<Single head pump>

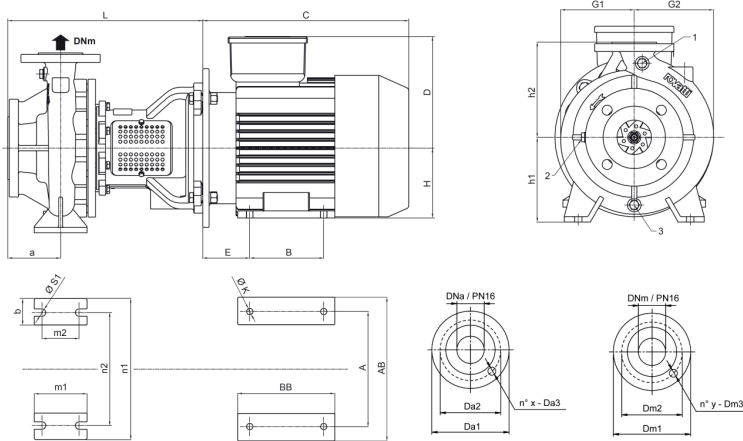
Pump operating data	
Design	MN20E65-315-4P-50-TM-SS
Impeller Ø	330 mm
Speed	1.450 1/min
Flow	
Head	
Shaft power P2	
Efficiency	
Head (Q=0)	39,8 m
Non return valve loss	

Electric motor technical data	
Design	IEC 20 - 4
Rated power	15 kW
Frequency	50 Hz
Number of poles	4
Nominal speed	1.450 1/min
Rated voltage	3~ 400 V
Starting mode	Direct starting
Rated current	27,3 A
Insulation class	F
Degree of protection	IP 55

Use limits	
Max N° startings/hour	14
Max. running time with Q=0	2 min
Max. solids contents	40 g/m³
Max. pumped liquid temperature	90 °C
Maximum density	998 kg/m³
Maximum viscosity	1 mm²/s

Materials	
Pump body	Cast iron
Impeller	Stainless steel
Wear ring	Cast iron
Support	Cast iron
Coupling	Cast iron
Shaft	Stainless steel

Shaft seal	
Cover	Cast iron
Spacer	Stainless steel
Seal face	Graphite
Seat	Ceramic
Seal ring	NBR
Spring	AISI 304 stainless steel

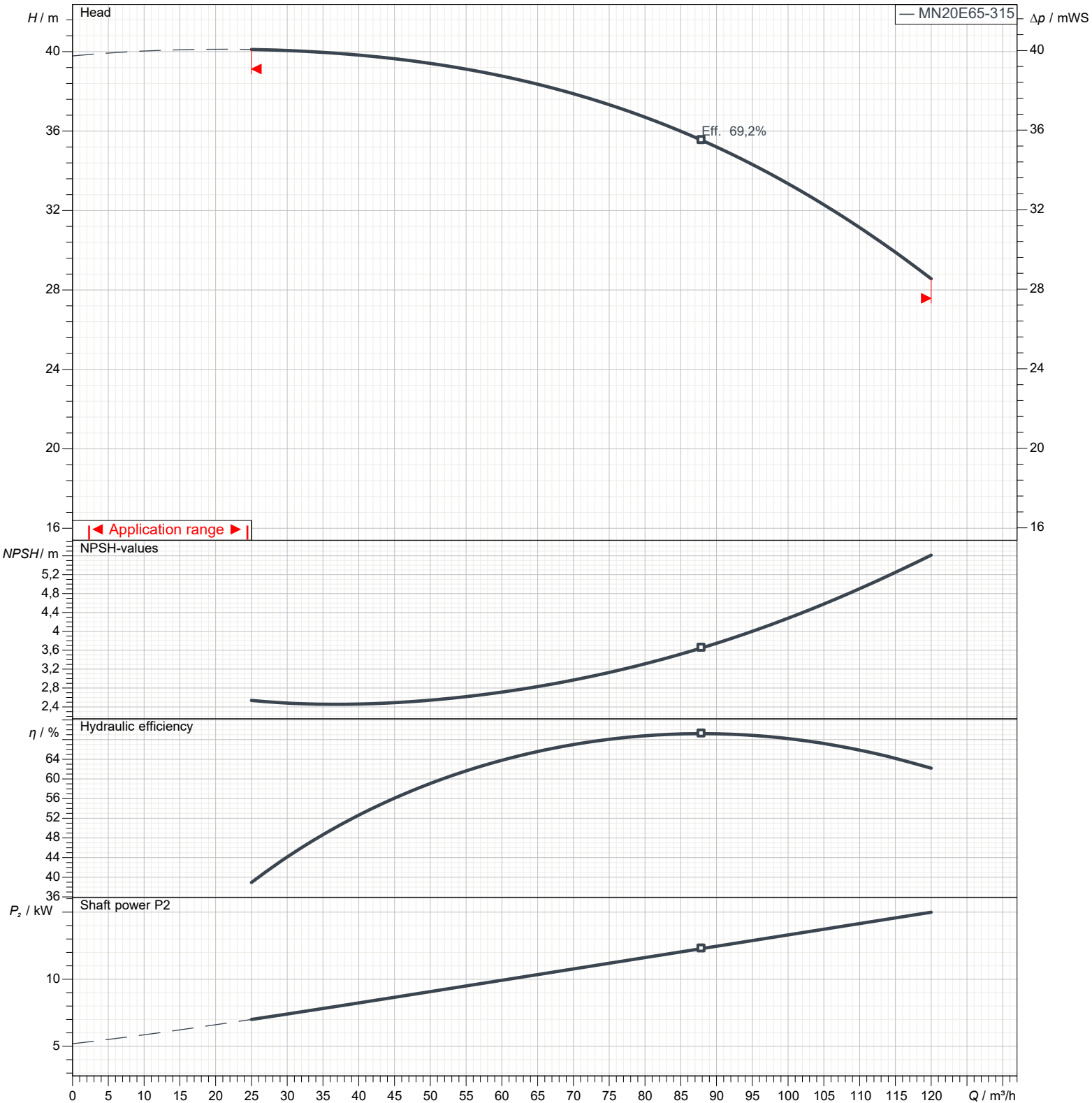


Dimensions in mm				Total weight 240 kg			
a	125	Da1	200	E	108	m1	160
A	254	Da2	160	G1	207	m2	120
AB	315	Da3	18	G2	226	n1	400
b	80	Dm1	185	H	160	n2	315
B	254	Dm2	145	h1	225	s1	19
BB	305	Dm3	18	h2	280	x	8
C	542	DNa	80	K	15	y	4
D	265	DNr	65	L	457		

Performance curves

MN20E65-315-4P-50-TM-SS

Performances				
Speed		1.450 1/min	Density	998 kg/m ³
Flow	Min.	25 m ³ /h	Viscosity	1 mm ² /s
	Max.	120 m ³ /h		
Efficiency	Max.	87,9 m ³ /h	Temperature	20 °C
				Tolerances



Types of installation

MN20E65-315-4P-50-TM-SS



Total weight		240 kg		Dimensions in mm	
a	125	h2	280		
A	254	K	15		
AB	315	L	457		
b	80	m1	160		
B	254	m2	120		
BB	305	n1	400		
C	542	n2	315		
D	265	s1	19		
Da1	200	x	8		
Da2	160	y	4		
Da3	18				
Dm1	185				
Dm2	145				
Dm3	18				
DNa	80				
DNm	65				
E	108				
G1	207				
G2	226				
H	160				
h1	225				