

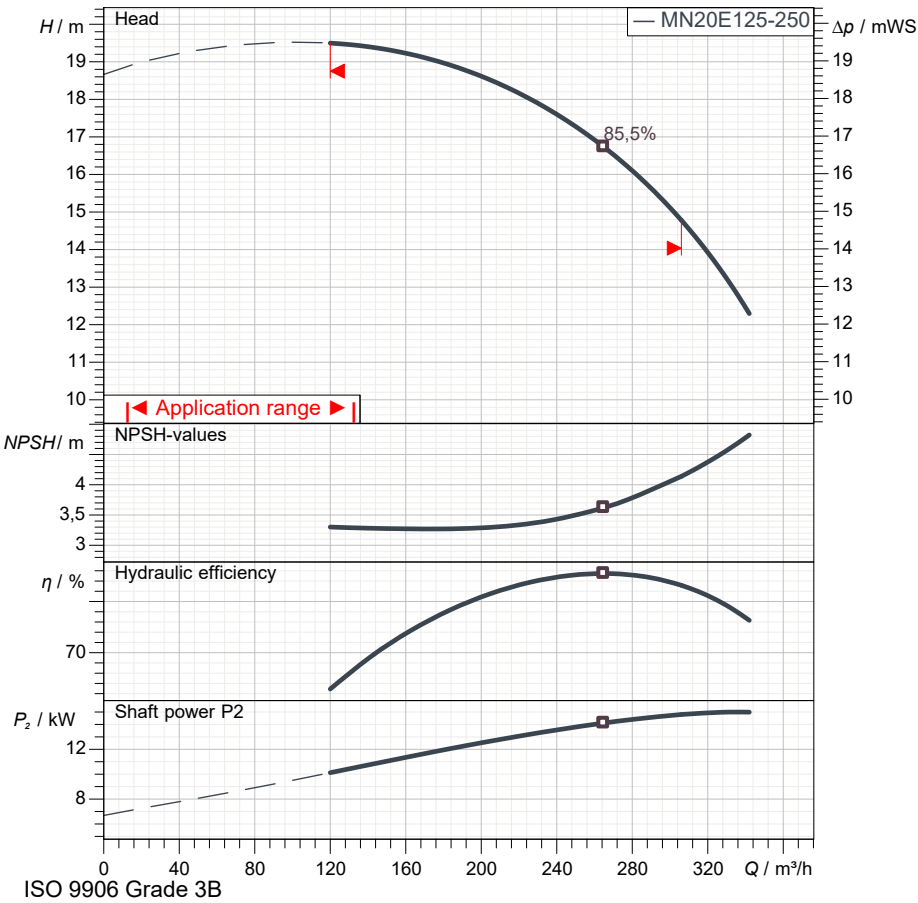
## Product description

### MN20E125-250-4P-50-TM-SS

Pos.no	Description	Item no	Qty.	UP / €	TP / €
1	<b>Close-coupled electric pump according to EN 733 (DIN 24255)</b>				
2	Centrifugal pump: MN20E125-250-4P-50-TM-SS		1	Price on req.	Price on req.
3	<p>Pump bodies</p> <p>Close-coupled electric pumps in compliance with EN 733 - DIN 24255 standards coupled to IEC standard electric motors through rigid coupling.</p> <p>Duty point</p> <p>Flow : / Head :</p> <p>Pump operating data</p> <p>Impeller diameter : 247 mm / Speed : 1.450 1/min</p> <p>Flow : / Head :</p> <p>Shaft power P2 : / Efficiency :</p> <p>Head (Q = 0) : 18,66 m</p> <p>Pump body : Cast iron</p> <p>Impeller : Stainless steel</p> <p>Wear ring : Cast iron</p> <p>Support : Cast iron</p> <p>Coupling : Cast iron</p> <p>Shaft : Stainless steel</p> <p>Max. solid contents : 40 g/m<sup>3</sup></p> <p>Max. water temperature : 90 °C</p> <p>Max. running time with Q=0 : 2 min</p>				
4	Motor: IEC 20 - 4		1		
5	<p>Electric motor</p> <p>Three-phase IE3 asynchronous squirrel cage motor.</p> <p>Casing : Cast iron</p> <p>Protection : IP 55</p> <p>Insulation class : F</p> <p>Number of startings : max 14</p> <p>Max environment temperature : 40 °C</p> <p>Max altimetric level : 1000 m</p> <p>Weight : 141 kg</p> <p>Frequency : 50 Hz</p> <p>N. poles : 4</p> <p>P2 : 15 kW</p> <p>U : 400 V</p> <p>In 1/1 : 27,3 A</p> <p>EFF : 92,1 %</p> <p>CosPhi : 0,86</p>				
6	Shaft seal: Mechanical seal		1		
7	<p>Cover : Cast iron</p> <p>Spacer : Stainless steel</p> <p>Seal face : Graphite</p> <p>Seat : Ceramic</p> <p>Seal ring : NBR</p> <p>Spring : AISI 304 stainless steel</p>				

## Technical data

### MN20E125-250-4P-50-TM-SS



#### Operating data specification

Capacity	
Head	
Fluid	Pure water
Type of installation	<Single head pump>

#### Pump operating data

Design	MN20E125-250-4P-50-TM-S
Impeller Ø	247 mm
Speed	1.450 1/min
Flow	
Head	
Shaft power P <sub>2</sub>	
Efficiency	
Head (Q=0)	18,7 m
Non return valve loss	

#### Electric motor technical data

Design	IEC 20 - 4
Rated power	15 kW
Frequency	50 Hz
Number of poles	4
Nominal speed	1.450 1/min
Rated voltage	3~ 400 V
Starting mode	Direct starting
Rated current	27,3 A
Insulation class	F
Degree of protection	IP 55

#### Use limits

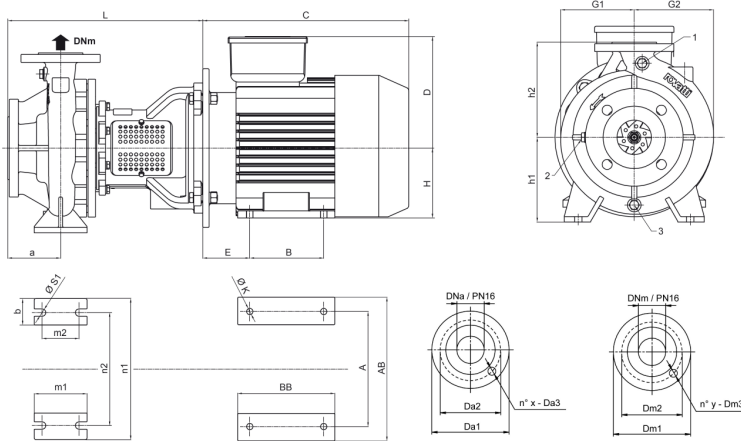
Max N° startings/hour	14
Max. running time with Q=0	2 min
Max. solids contents	40 g/m³
Max. pumped liquid temperature	90 °C
Maximum density	998 kg/m³
Maximum viscosity	1 mm²/s

#### Materials

Pump body	Cast iron
Impeller	Stainless steel
Wear ring	Cast iron
Support	Cast iron
Coupling	Cast iron
Shaft	Stainless steel

#### Shaft seal

Cover	Cast iron
Spacer	Stainless steel
Seal face	Graphite
Seat	Ceramic
Seal ring	NBR
Spring	AISI 304 stainless steel

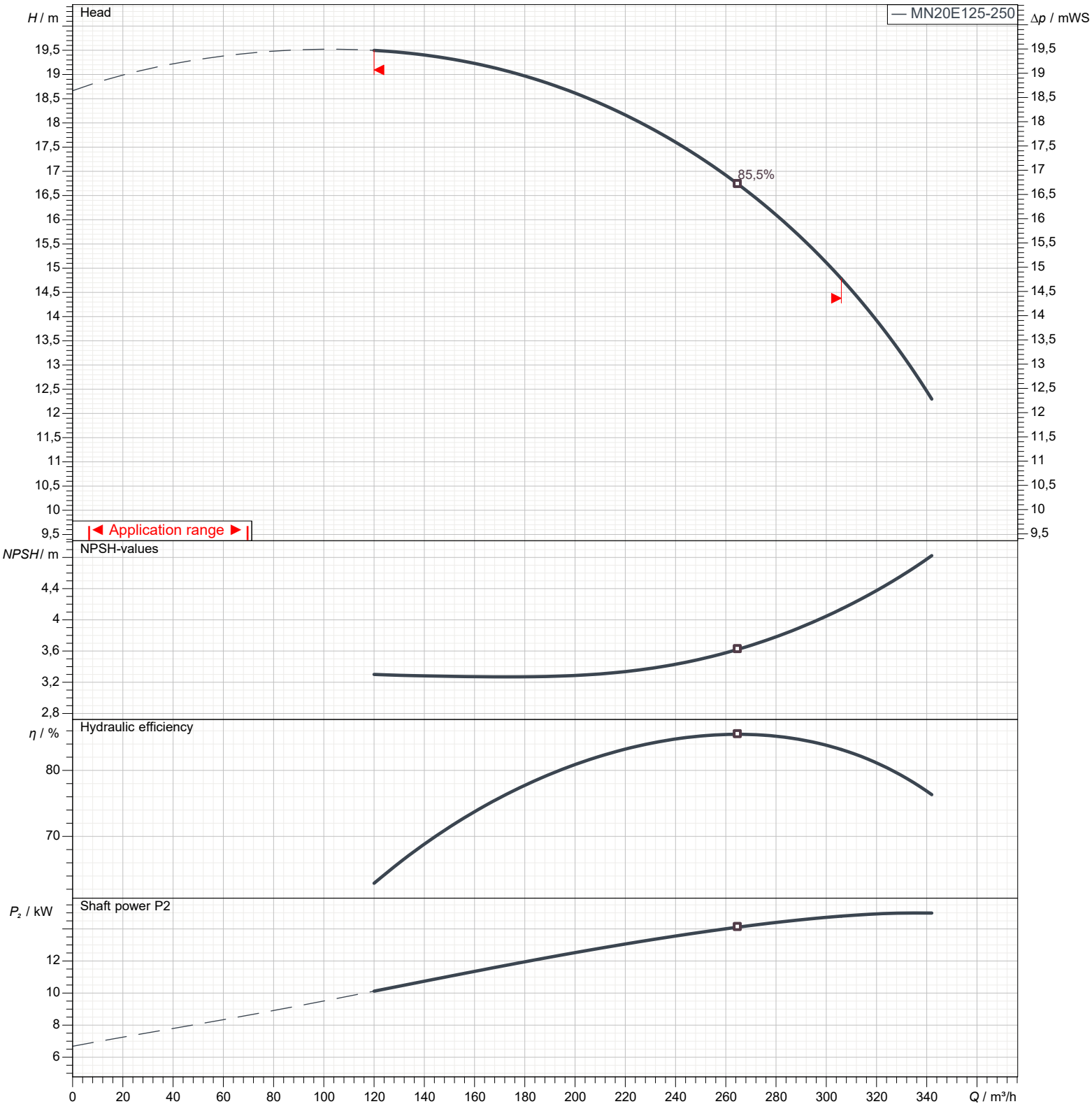


Dimensions in				mm				Total weight				249 kg			
a	140	Da1	285	E	108	m1	160								
A	254	Da2	240	G1	220	m2	120								
AB	315	Da3	22	G2	261	n1	400								
b	80	Dm1	250	H	160	n2	315								
B	254	Dm2	210	h1	250	s1	19								
BB	305	Dm3	18	h2	355	x	8								
C	542	DNa	150	K	15	y	8								
D	265	DNrr	125	L	472										

## Performance curves

### MN20E125-250-4P-50-TM-SS

Performances				
Speed		1.450 1/min	Density	998 kg/m <sup>3</sup>
Flow	Min.	120 m <sup>3</sup> /h	Viscosity	1 mm <sup>2</sup> /s
	Max.	306 m <sup>3</sup> /h	Temperature	20 °C
Efficiency	Max.	265 m <sup>3</sup> /h	Tolerances	ISO 9906 Grade 3B



## Types of installation

### MN20E125-250-4P-50-TM-SS



Total weight		249 kg		Dimensions in mm	
a	140	h2	355		
A	254	K	15		
AB	315	L	472		
b	80	m1	160		
B	254	m2	120		
BB	305	n1	400		
C	542	n2	315		
D	265	s1	19		
Da1	285	x	8		
Da2	240	y	8		
Da3	22				
Dm1	250				
Dm2	210				
Dm3	18				
DNa	150				
DNm	125				
E	108				
G1	220				
G2	261				
H	160				
h1	250				