

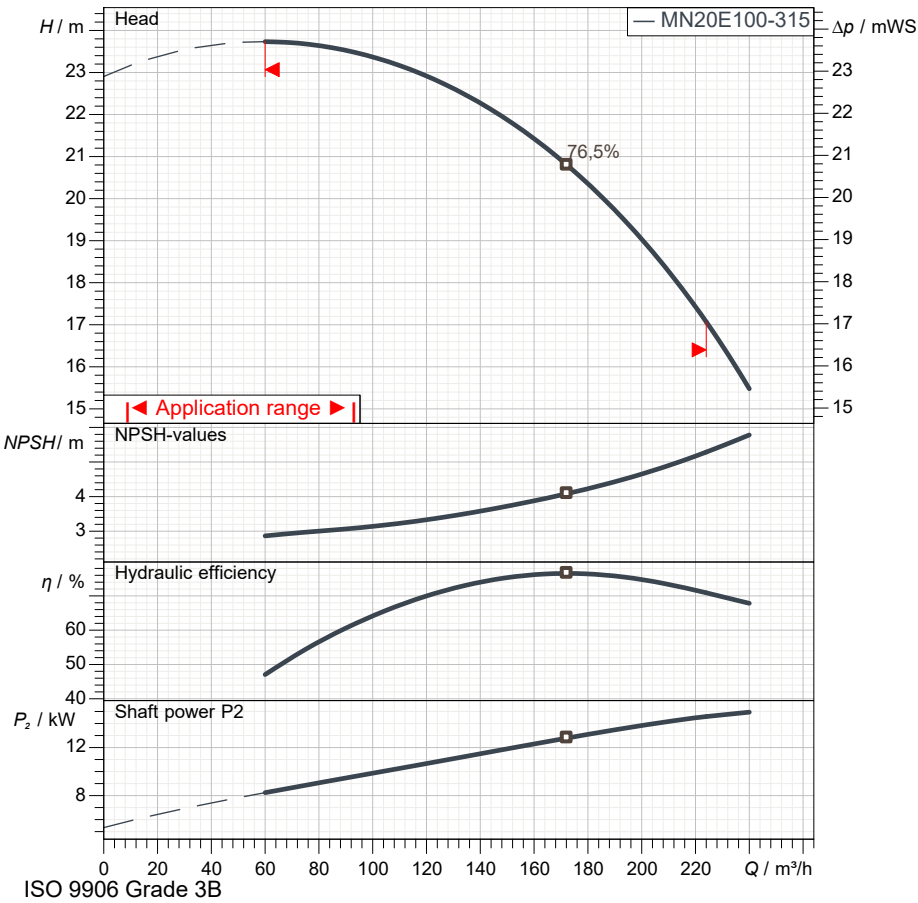
Product description

MN20E100-315-4P-50-TM-SS

Pos.no	Description	Item no	Qty.	UP / €	TP / €
1	Close-coupled electric pump according to EN 733 (DIN 24255)				
2	Centrifugal pump: MN20E100-315-4P-50-TM-SS		1	Price on req.	Price on req.
3	<p>Pump bodies</p> <p>Close-coupled electric pumps in compliance with EN 733 - DIN 24255 standards coupled to IEC standard electric motors through rigid coupling.</p> <p>Duty point</p> <p>Flow : / Head :</p> <p>Pump operating data</p> <p>Impeller diameter : 260 mm / Speed : 1.450 1/min</p> <p>Flow : / Head :</p> <p>Shaft power P2 : / Efficiency :</p> <p>Head (Q = 0) : 22,9 m</p> <p>Pump body : Cast iron</p> <p>Impeller : Stainless steel</p> <p>Wear ring : Cast iron</p> <p>Support : Cast iron</p> <p>Coupling : Cast iron</p> <p>Shaft : Stainless steel</p> <p>Max. solid contents : 40 g/m³</p> <p>Max. water temperature : 90 °C</p> <p>Max. running time with Q=0 : 2 min</p>				
4	Motor: IEC 20 - 4		1		
5	<p>Electric motor</p> <p>Three-phase IE3 asynchronous squirrel cage motor.</p> <p>Casing : Cast iron</p> <p>Protection : IP 55</p> <p>Insulation class : F</p> <p>Number of startings : max 14</p> <p>Max environment temperature : 40 °C</p> <p>Max altimetric level : 1000 m</p> <p>Weight : 141 kg</p> <p>Frequency : 50 Hz</p> <p>N. poles : 4</p> <p>P2 : 15 kW</p> <p>U : 400 V</p> <p>In 1/1 : 27,3 A</p> <p>EFF : 92,1 %</p> <p>CosPhi : 0,86</p>				
6	Shaft seal: Mechanical seal		1		
7	<p>Cover : Cast iron</p> <p>Spacer : Stainless steel</p> <p>Seal face : Graphite</p> <p>Seat : Ceramic</p> <p>Seal ring : NBR</p> <p>Spring : AISI 304 stainless steel</p>				

Technical data

MN20E100-315-4P-50-TM-SS



Operating data specification

Capacity	
Head	
Fluid	Pure water
Type of installation	<Single head pump>

Pump operating data

Design	MN20E100-315-4P-50-TM-S
Impeller \varnothing	260 mm
Speed	1.450 1/min
Flow	
Head	
Shaft power P_2	
Efficiency	
Head (Q=0)	22,9 m
Non return valve loss	

Electric motor technical data

Design	IEC 20 - 4
Rated power	15 kW
Frequency	50 Hz
Number of poles	4
Nominal speed	1.450 1/min
Rated voltage	3~ 400 V
Starting mode	Direct starting
Rated current	27,3 A
Insulation class	F
Degree of protection	IP 55

Use limits

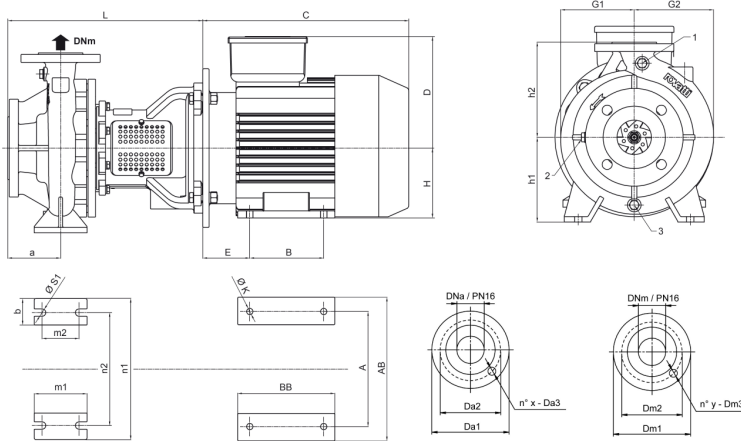
Max N° startings/hour	14
Max. running time with Q=0	2 min
Max. solids contents	40 g/m ³
Max. pumped liquid temperature	90 °C
Maximum density	998 kg/m ³
Maximum viscosity	1 mm ² /s

Materials

Pump body	Cast iron
Impeller	Stainless steel
Wear ring	Cast iron
Support	Cast iron
Coupling	Cast iron
Shaft	Stainless steel

Shaft seal

Cover	Cast iron
Spacer	Stainless steel
Seal face	Graphite
Seat	Ceramic
Seal ring	NBR
Spring	AISI 304 stainless steel

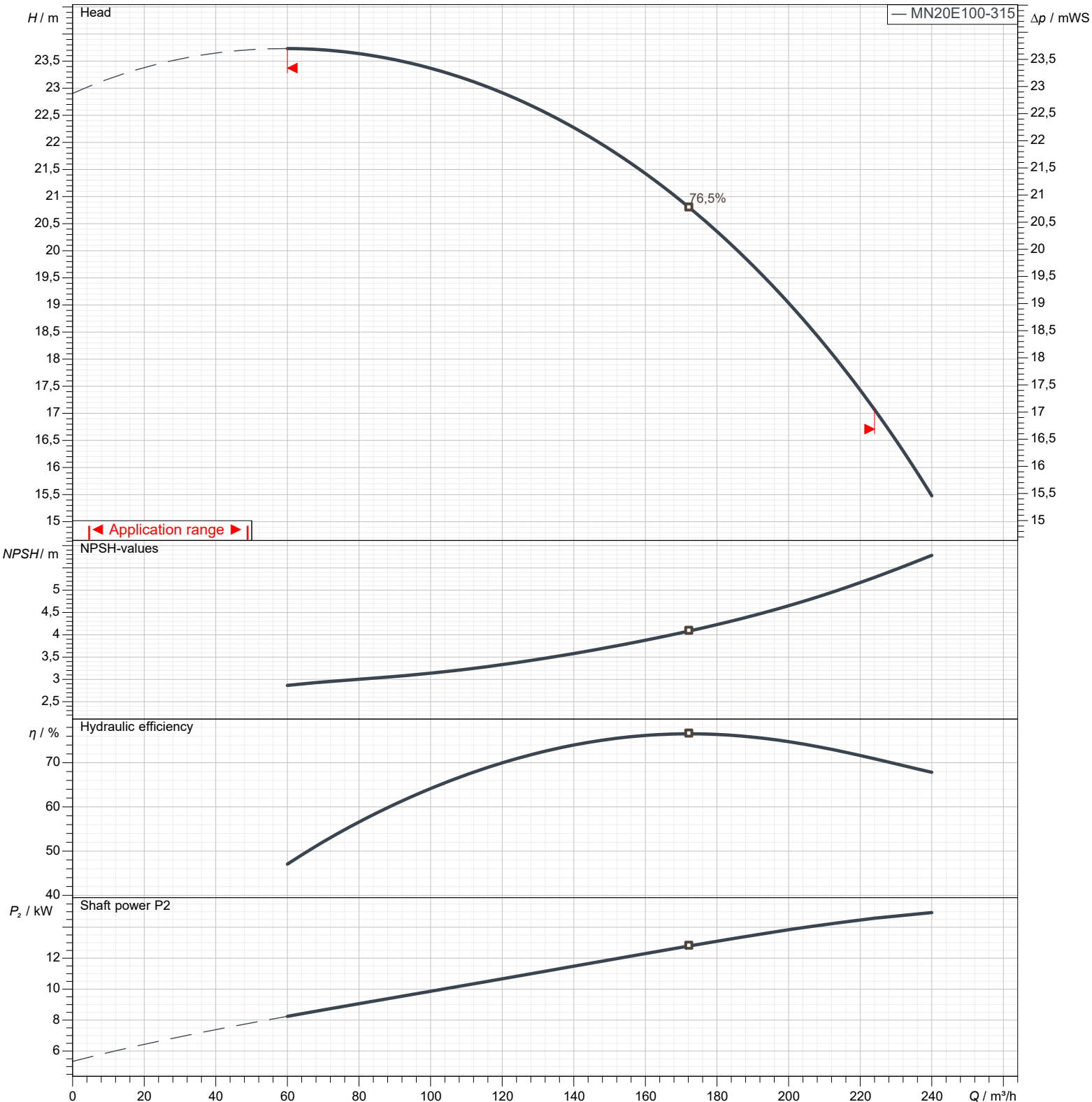


Dimensions in		mm		Total weight		251 kg	
a	140	Da1	250	E	108	m1	160
A	254	Da2	210	G1	225	m2	120
AB	315	Da3	18	G2	257	n1	400
b	80	Dm1	220	H	160	n2	315
B	254	Dm2	180	h1	250	s1	19
BB	305	Dm3	18	h2	315	x	8
C	542	DNa	125	K	15	y	8
D	265	DNrr	100	L	472		

Performance curves

MN20E100-315-4P-50-TM-SS

Performances				
Speed		1.450 1/min	Density	998 kg/m ³
Flow	Min.	60 m ³ /h	Viscosity	1 mm ² /s
	Max.	224 m ³ /h	Temperature	20 °C
Efficiency	Max.	172 m ³ /h	Tolerances	ISO 9906 Grade 3B



Types of installation

MN20E100-315-4P-50-TM-SS



Total weight		251 kg		Dimensions in mm	
a	140	h2	315		
A	254	K	15		
AB	315	L	472		
b	80	m1	160		
B	254	m2	120		
BB	305	n1	400		
C	542	n2	315		
D	265	s1	19		
Da1	250	x	8		
Da2	210	y	8		
Da3	18				
Dm1	220				
Dm2	180				
Dm3	18				
DNa	125				
DNm	100				
E	108				
G1	225				
G2	257				
H	160				
h1	250				