

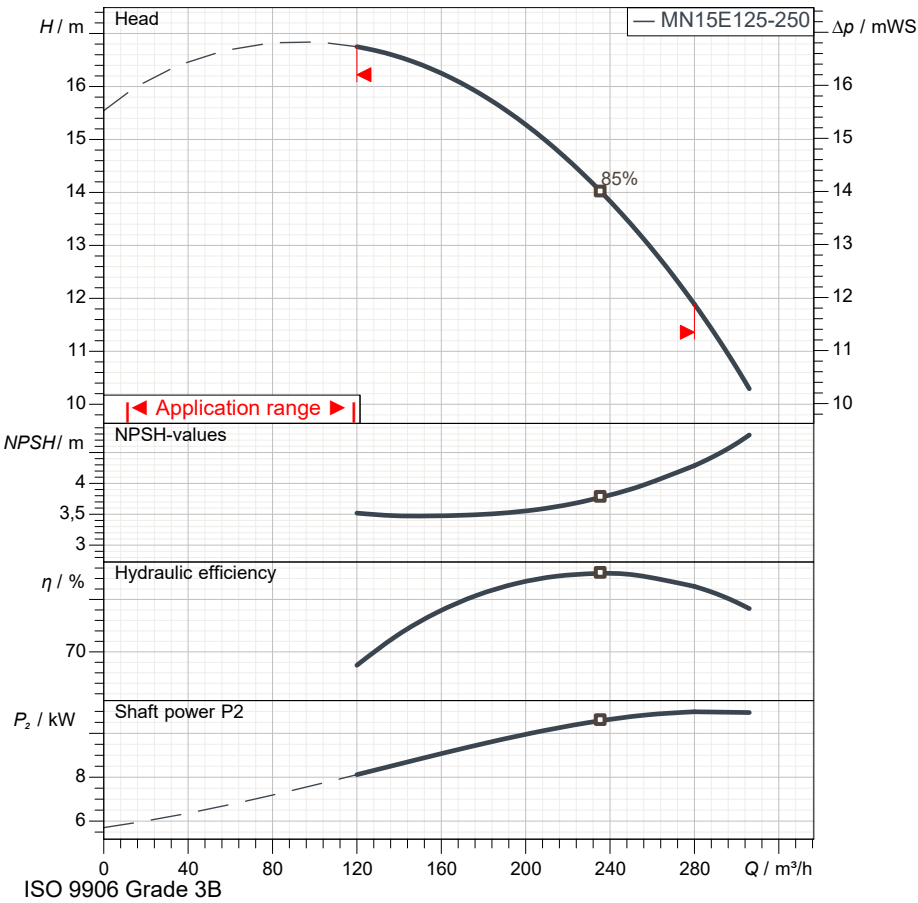
Product description

MN15E125-250-4P-50-TM-SS

Pos.no	Description	Item no	Qty.	UP / €	TP / €
1	Close-coupled electric pump according to EN 733 (DIN 24255)				
2	Centrifugal pump: MN15E125-250-4P-50-TM-SS		1	Price on req.	Price on req.
3	Pump bodies Close-coupled electric pumps in compliance with EN 733 - DIN 24255 standards coupled to IEC standard electric motors through rigid coupling. Duty point Flow : / Head : Pump operating data Impeller diameter : 228 mm / Speed : 1.450 1/min Flow : / Head : Shaft power P2 : / Efficiency : Head (Q = 0) : 15,54 m Pump body : Cast iron Impeller : Stainless steel Wear ring : Cast iron Support : Cast iron Coupling : Cast iron Shaft : Stainless steel Max. solid contents : 40 g/m ³ Max. water temperature : 90 °C Max. running time with Q=0 : 2 min				
4	Motor: IEC 15 - 4		1		
5	Electric motor Three-phase IE3 asynchronous squirrel cage motor. Casing : Cast iron Protection : IP 55 Insulation class : F Number of startings : max 14 Max environment temperature : 40 °C Max altimetric level : 1000 m Weight : 123 kg Frequency : 50 Hz N. poles : 4 P2 : 11 kW U : 400 V In 1/1 : 20,4 A EFF : 91,4 % CosPhi : 0,85				
6	Shaft seal: Mechanical seal		1		
7	Cover : Cast iron Spacer : Stainless steel Seal face : Graphite Seat : Ceramic Seal ring : NBR Spring : AISI 304 stainless steel				

Technical data

MN15E125-250-4P-50-TM-SS



Operating data specification	
Capacity	
Head	
Fluid	Pure water
Type of installation	<Single head pump>

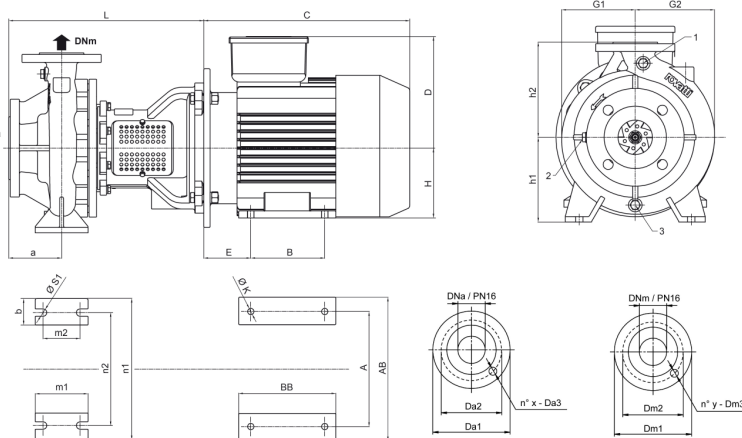
Pump operating data	
Design	MN15E125-250-4P-50-TM-S
Impeller Ø	228 mm
Speed	1.450 1/min
Flow	
Head	
Shaft power P2	
Efficiency	
Head (Q=0)	15,5 m
Non return valve loss	

Electric motor technical data	
Design	IEC 15 - 4
Rated power	11 kW
Frequency	50 Hz
Number of poles	4
Nominal speed	1.450 1/min
Rated voltage	3~ 400 V
Starting mode	Direct starting
Rated current	20,4 A
Insulation class	F
Degree of protection	IP 55

Use limits	
Max N° startings/hour	14
Max. running time with Q=0	2 min
Max. solids contents	40 g/m ³
Max. pumped liquid temperature	90 °C
Maximum density	998 kg/m ³
Maximum viscosity	1 mm ² /s

Materials	
Pump body	Cast iron
Impeller	Stainless steel
Wear ring	Cast iron
Support	Cast iron
Coupling	Cast iron
Shaft	Stainless steel

Shaft seal	
Cover	Cast iron
Spacer	Stainless steel
Seal face	Graphite
Seat	Ceramic
Seal ring	NBR
Spring	AISI 304 stainless steel

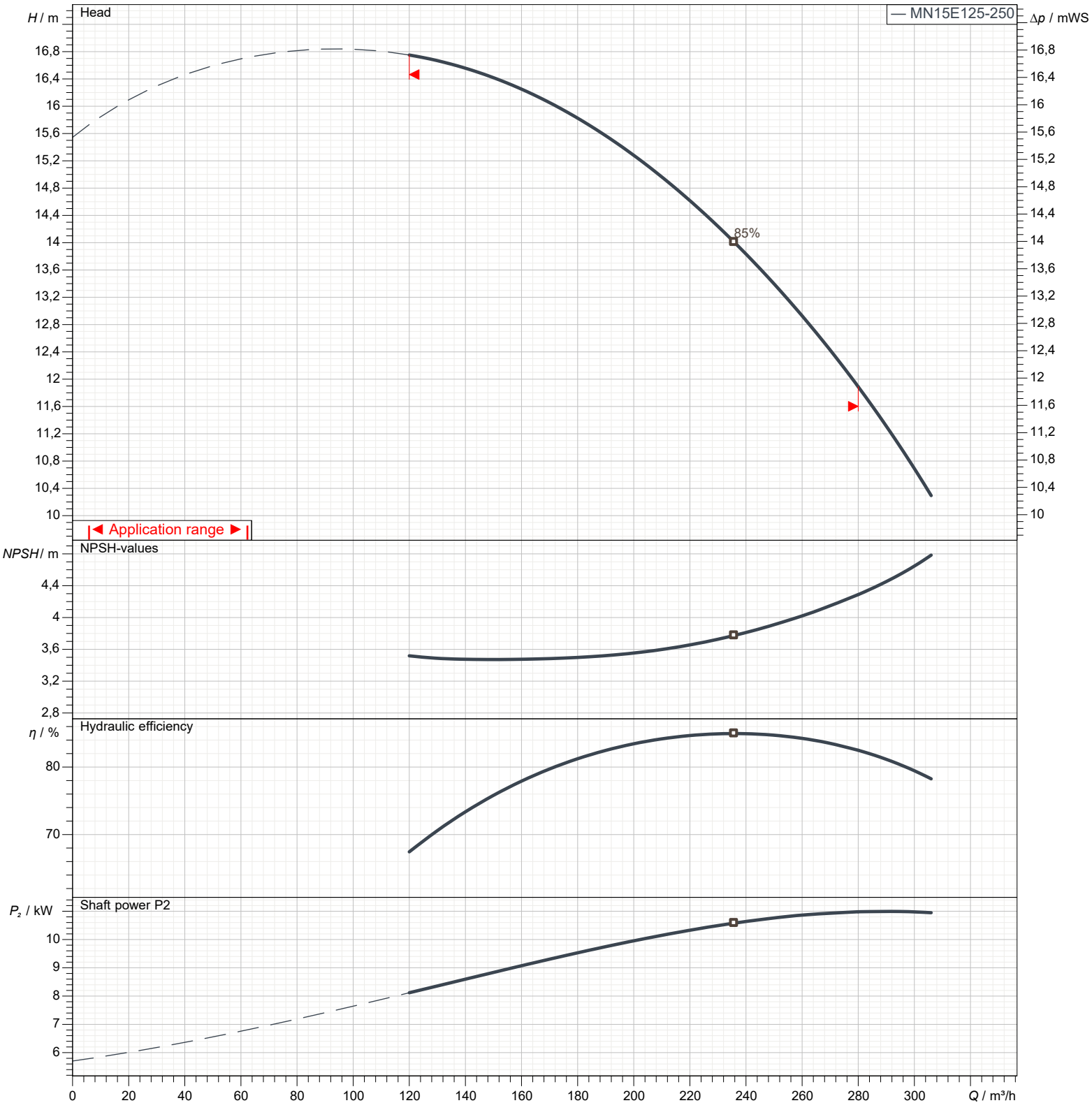


Dimensions in mm					Total weight			
a	140	Da3	22	G2	261	n1	400	231 kg
A	254	Dm1	250	H	160	n2	315	
AB	315	Dm2	210	h1	250	s1	19	
b	80	Dm3	18	h2	355	x	8	
B	210	DNa	150	K	15	y	8	
BB	260	DNrr	125	L	472			
Da1	285	E	108	m1	160			
Da2	240	G1	220	m2	120			

Performance curves

MN15E125-250-4P-50-TM-SS

Performances				
Speed		1.450 1/min	Density	998 kg/m ³
Flow	Min.	120 m ³ /h	Viscosity	1 mm ² /s
	Max.	280 m ³ /h	Temperature	20 °C
Efficiency	Max.	236 m ³ /h	Tolerances	ISO 9906 Grade 3B



Types of installation

MN15E125-250-4P-50-TM-SS



Total weight		231 kg		Dimensions in mm	
a	140	L	472		
A	254	m1	160		
AB	315	m2	120		
b	80	n1	400		
B	210	n2	315		
BB	260	s1	19		
Da1	285	x	8		
Da2	240	y	8		
Da3	22				
Dm1	250				
Dm2	210				
Dm3	18				
DNa	150				
DNm	125				
E	108				
G1	220				
G2	261				
H	160				
h1	250				
h2	355				
K	15				