

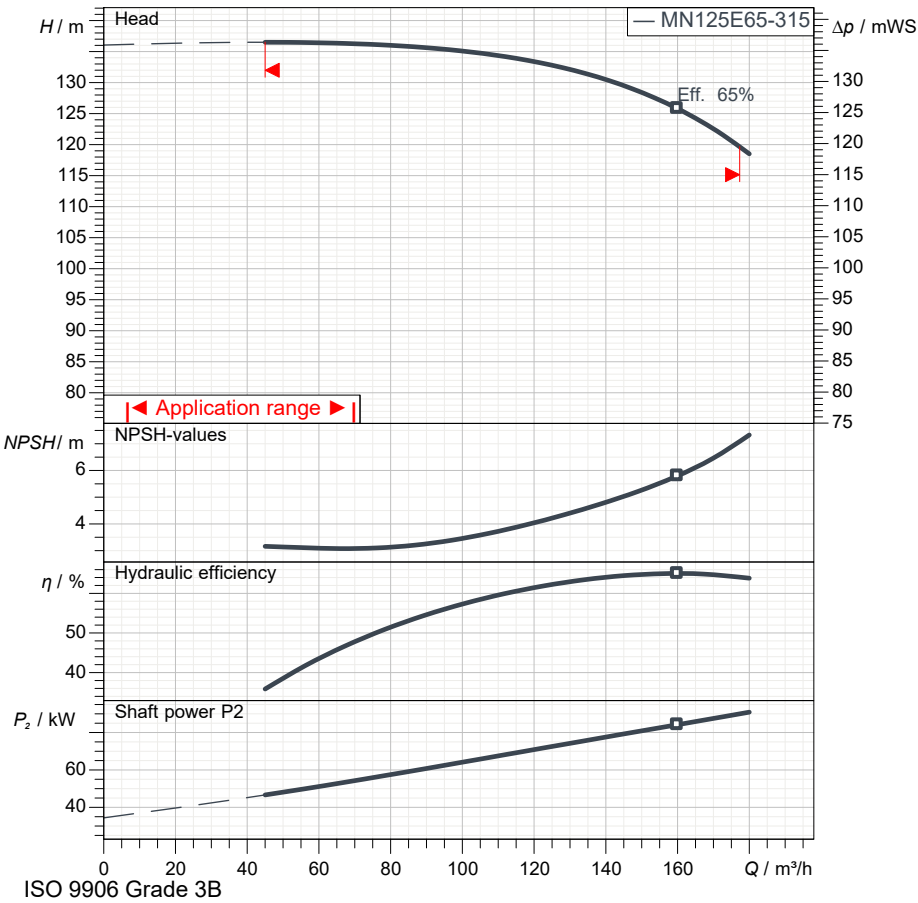
## Product description

### MN125E65-315-2P-50-TM-SS

Pos.no	Description	Item no	Qty.	UP / €	TP / €
1	<b>Close-coupled electric pump according to EN 733 (DIN 24255)</b>				
2	Centrifugal pump: MN125E65-315-2P-50-TM-SS		1	Price on req.	Price on req.
3	<p>Pump bodies</p> <p>Close-coupled electric pumps in compliance with EN 733 - DIN 24255 standards coupled to IEC standard electric motors through rigid coupling.</p> <p>Duty point</p> <p>Flow : / Head :</p> <p>Pump operating data</p> <p>Impeller diameter : 310 mm / Speed : 2.900 1/min</p> <p>Flow : / Head :</p> <p>Shaft power P2 : / Efficiency :</p> <p>Head (Q = 0) : 136 m</p> <p>Pump body : Cast iron</p> <p>Impeller : Stainless steel</p> <p>Wear ring : Cast iron</p> <p>Support : Cast iron</p> <p>Coupling : Cast iron</p> <p>Shaft : Stainless steel</p> <p>Max. solid contents : 40 g/m<sup>3</sup></p> <p>Max. water temperature : 90 °C</p> <p>Max. running time with Q=0 : 2 min</p>				
4	Motor: IEC 125 - 2		1		
5	<p>Electric motor</p> <p>Three-phase IE3 asynchronous squirrel cage motor.</p> <p>Casing : Cast iron</p> <p>Protection : IP 55</p> <p>Insulation class : F</p> <p>Number of startings : max 4</p> <p>Max environment temperature : 40 °C</p> <p>Max altimetric level : 1000 m</p> <p>Weight : 612 kg</p> <p>Frequency : 50 Hz</p> <p>N. poles : 2</p> <p>P2 : 90 kW</p> <p>U : 400 V</p> <p>In 1/1 : 154 A</p> <p>EFF : 95 %</p> <p>CosPhi : 0,89</p>				
6	Shaft seal: Mechanical seal		1		
7	<p>Cover : Cast iron</p> <p>Spacer : Stainless steel</p> <p>Seal face : Graphite</p> <p>Seat : Ceramic</p> <p>Seal ring : NBR</p> <p>Spring : AISI 304 stainless steel</p>				

## Technical data

### MN125E65-315-2P-50-TM-SS



Operating data specification	
Capacity	
Head	
Fluid	Pure water
Type of installation	<Single head pump>

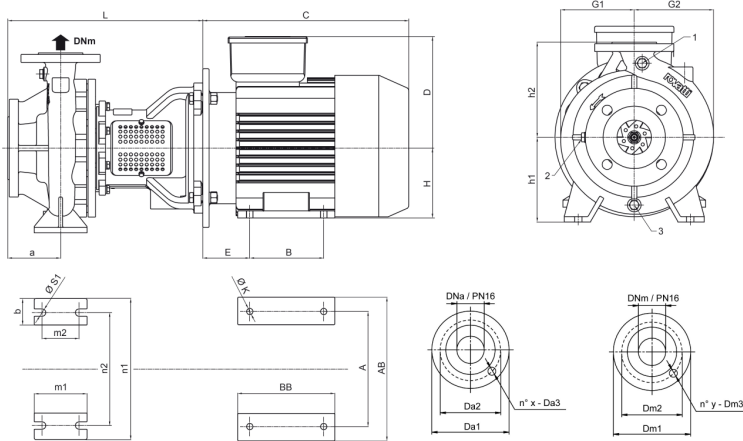
Pump operating data	
Design	MN125E65-315-2P-50-TM-S
Impeller Ø	310 mm
Speed	2.900 1/min
Flow	
Head	
Shaft power P2	
Efficiency	
Head (Q=0)	136 m
Non return valve loss	

Electric motor technical data	
Design	IEC 125 - 2
Rated power	90 kW
Frequency	50 Hz
Number of poles	2
Nominal speed	2.900 1/min
Rated voltage	3~ 400 V
Starting mode	Direct starting
Rated current	154 A
Insulation class	F
Degree of protection	IP 55

Use limits	
Max N° startings/hour	4
Max. running time with Q=0	2 min
Max. solids contents	40 g/m <sup>3</sup>
Max. pumped liquid temperature	90 °C
Maximum density	998 kg/m <sup>3</sup>
Maximum viscosity	1 mm <sup>2</sup> /s

Materials	
Pump body	Cast iron
Impeller	Stainless steel
Wear ring	Cast iron
Support	Cast iron
Coupling	Cast iron
Shaft	Stainless steel

Shaft seal	
Cover	Cast iron
Spacer	Stainless steel
Seal face	Graphite
Seat	Ceramic
Seal ring	NBR
Spring	AISI 304 stainless steel

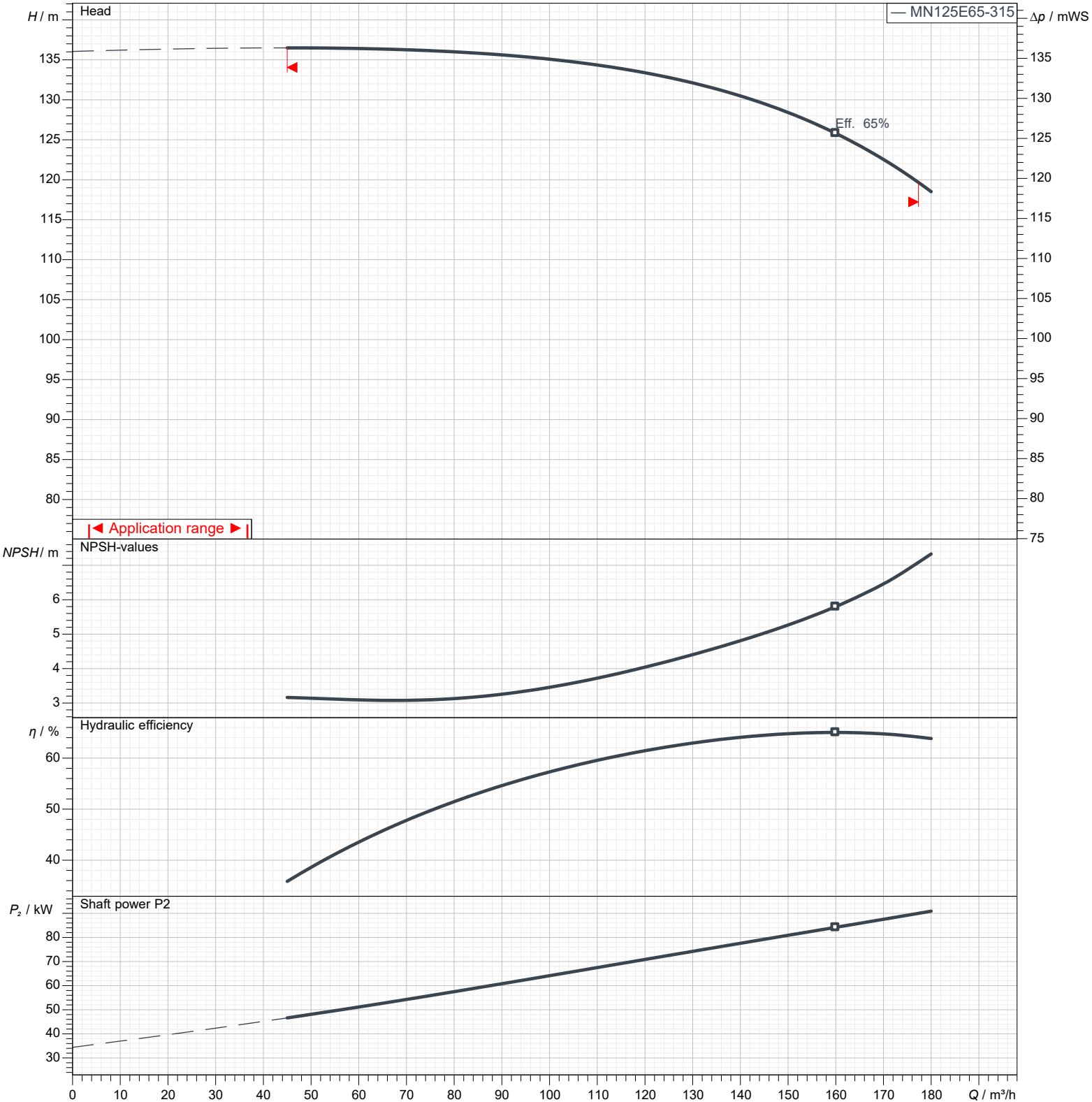


Dimensions in mm				Total weight 731 kg			
a	125	Da1	200	E	190	m1	160
A	457	Da2	160	G1	207	m2	120
AB	545	Da3	18	G2	226	n1	400
b	80	Dm1	185	H	280	n2	315
B	419	Dm2	145	h1	225	s1	19
BB	540	Dm3	18	h2	280	x	8
C	835	DNa	80	K	24	y	4
D	390	DNrr	65	L	487		

## Performance curves

### MN125E65-315-2P-50-TM-SS

Performances				
Speed		2.900 1/min	Density	998 kg/m <sup>3</sup>
Flow	Min.	45 m <sup>3</sup> /h	Viscosity	1 mm <sup>2</sup> /s
	Max.	180 m <sup>3</sup> /h	Temperature	20 °C
Efficiency	Max.	160 m <sup>3</sup> /h	Tolerances	ISO 9906 Grade 3B



## Types of installation

### MN125E65-315-2P-50-TM-SS



Total weight		731 kg		Dimensions in mm	
a	125	h2	280		
A	457	K	24		
AB	545	L	487		
b	80	m1	160		
B	419	m2	120		
BB	540	n1	400		
C	835	n2	315		
D	390	s1	19		
Da1	200	x	8		
Da2	160	y	4		
Da3	18				
Dm1	185				
Dm2	145				
Dm3	18				
DNa	80				
DNm	65				
E	190				
G1	207				
G2	226				
H	280				
h1	225				