

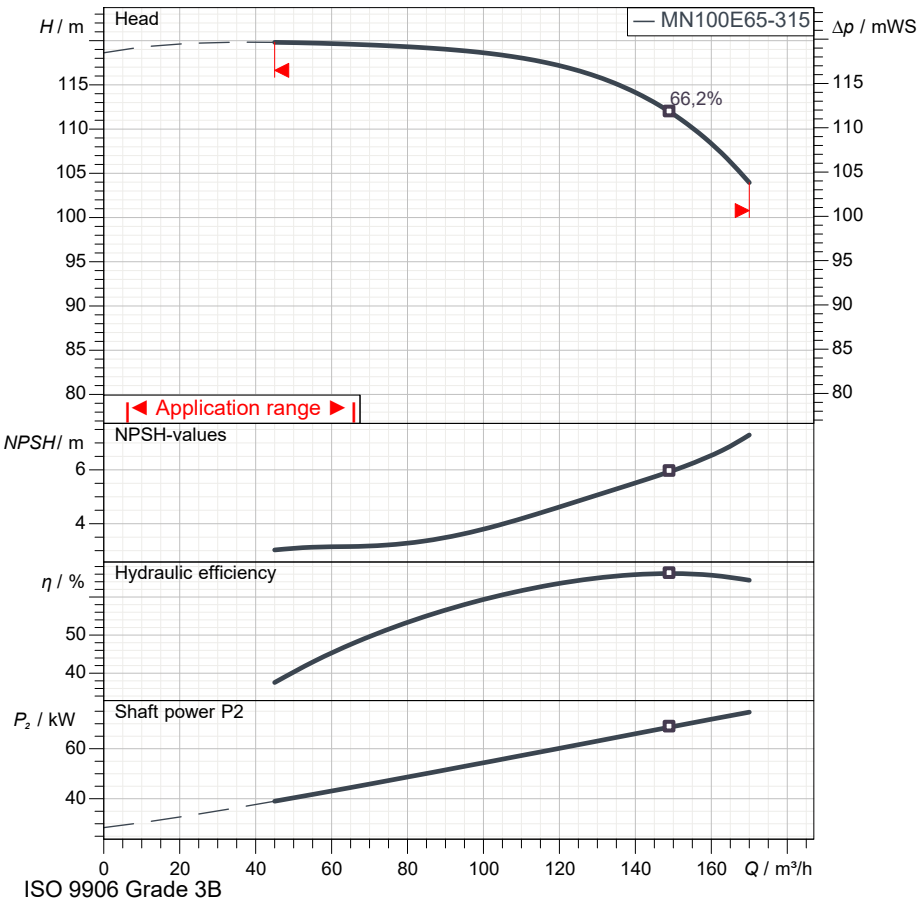
## Product description

### MN100E65-315-2P-50-TM-SS

| Pos.no | Description  | Item no | Qty. | UP / €        | TP / €        |
|--------|--|---------|------|---------------|---------------|
| 1      | <b>Close-coupled electric pump according to EN 733 (DIN 24255)</b>   |         |      |               |               |
| 2      | Centrifugal pump: MN100E65-315-2P-50-TM-SS   |         | 1    | Price on req. | Price on req. |
| 3      | <p>Pump bodies</p> <p>Close-coupled electric pumps in compliance with EN 733 - DIN 24255 standards coupled to IEC standard electric motors through rigid coupling.</p> <p>Duty point</p> <p>Flow : / Head :</p> <p>Pump operating data</p> <p>Impeller diameter : 290 mm / Speed : 2.900 1/min</p> <p>Flow : / Head :</p> <p>Shaft power P2 : / Efficiency :</p> <p>Head (Q = 0) : 118,6 m</p> <p>Pump body : Cast iron</p> <p>Impeller : Stainless steel</p> <p>Wear ring : Cast iron</p> <p>Support : Cast iron</p> <p>Coupling : Cast iron</p> <p>Shaft : Stainless steel</p> <p>Max. solid contents : 40 g/m<sup>3</sup></p> <p>Max. water temperature : 90 °C</p> <p>Max. running time with Q=0 : 2 min</p> |         |      |               |               |
| 4      | Motor: IEC 100 - 2   |         | 1    |               |               |
| 5      | <p>Electric motor</p> <p>Three-phase IE3 asynchronous squirrel cage motor.</p> <p>Casing : Cast iron</p> <p>Protection : IP 55</p> <p>Insulation class : F</p> <p>Number of startings : max 4</p> <p>Max environment temperature : 40 °C</p> <p>Max altimetric level : 1000 m</p> <p>Weight : 533 kg</p> <p>Frequency : 50 Hz</p> <p>N. poles : 2</p> <p>P2 : 75 kW</p> <p>U : 400 V</p> <p>In 1/1 : 127 A</p> <p>EFF : 94,7 %</p> <p>CosPhi : 0,9</p>   |         |      |               |               |
| 6      | Shaft seal: Mechanical seal  |         | 1    |               |               |
| 7      | <p>Cover : Cast iron</p> <p>Spacer : Stainless steel</p> <p>Seal face : Graphite</p> <p>Seat : Ceramic</p> <p>Seal ring : NBR</p> <p>Spring : AISI 304 stainless steel</p>   |         |      |               |               |

## Technical data

### MN100E65-315-2P-50-TM-SS



| Operating data specification |                    |
|------------------------------|--------------------|
| Capacity                     |                    |
| Head                         |                    |
| Fluid                        | Pure water         |
| Type of installation         | <Single head pump> |

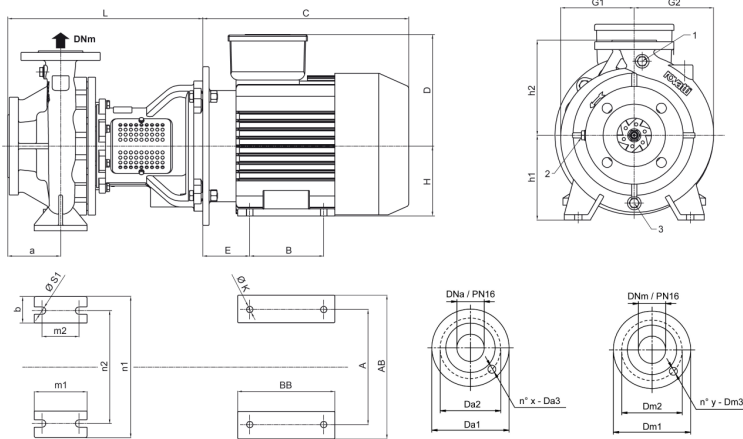
| Pump operating data    |                         |
|------------------------|-------------------------|
| Design                 | MN100E65-315-2P-50-TM-S |
| Impeller $\varnothing$ | 290 mm                  |
| Speed                  | 2.900 1/min             |
| Flow                   |                         |
| Head                   |                         |
| Shaft power $P_2$      |                         |
| Efficiency             |                         |
| Head ( $Q=0$ )         | 119 m                   |
| Non return valve loss  |                         |

| Electric motor technical data |                 |
|-------------------------------|-----------------|
| Design                        | IEC 100 - 2     |
| Rated power                   | 75 kW           |
| Frequency                     | 50 Hz           |
| Number of poles               | 2               |
| Nominal speed                 | 2.900 1/min     |
| Rated voltage                 | 3~ 400 V        |
| Starting mode                 | Direct starting |
| Rated current                 | 127 A           |
| Insulation class              | F               |
| Degree of protection          | IP 55           |

| Use limits                     |              |
|--------------------------------|--------------|
| Max N° startings/hour          | 4            |
| Max. running time with $Q=0$   | 2 min        |
| Max. solids contents           | 40 $g/m^3$   |
| Max. pumped liquid temperature | 90 °C        |
| Maximum density                | 998 $kg/m^3$ |
| Maximum viscosity              | 1 $mm^2/s$   |

| Materials |                 |
|-----------|-----------------|
| Pump body | Cast iron       |
| Impeller  | Stainless steel |
| Wear ring | Cast iron       |
| Support   | Cast iron       |
| Coupling  | Cast iron       |
| Shaft     | Stainless steel |

| Shaft seal |                          |
|------------|--------------------------|
| Cover      | Cast iron                |
| Spacer     | Stainless steel          |
| Seal face  | Graphite                 |
| Seat       | Ceramic                  |
| Seal ring  | NBR                      |
| Spring     | AISI 304 stainless steel |

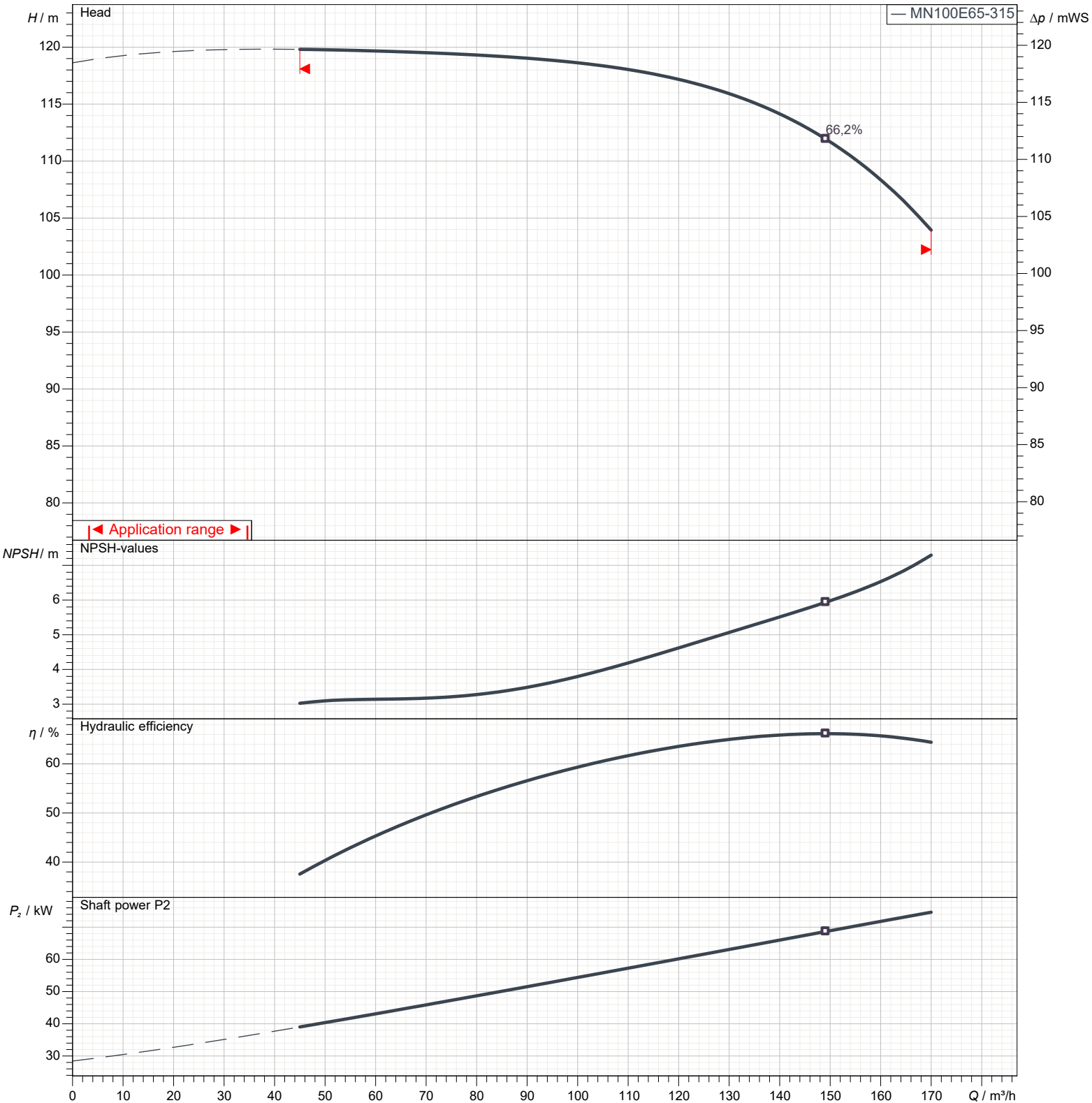


| Dimensions in |     | mm   |     | Total weight |     | 652 kg |     |
|---------------|-----|------|-----|--------------|-----|--------|-----|
| a             | 125 | Da1  | 200 | E            | 190 | m1     | 160 |
| A             | 457 | Da2  | 160 | G1           | 207 | m2     | 120 |
| AB            | 545 | Da3  | 18  | G2           | 226 | n1     | 400 |
| b             | 80  | Dm1  | 185 | H            | 280 | n2     | 315 |
| B             | 368 | Dm2  | 145 | h1           | 225 | s1     | 19  |
| BB            | 490 | Dm3  | 18  | h2           | 280 | x      | 8   |
| C             | 845 | DNa  | 80  | K            | 19  | y      | 4   |
| D             | 405 | DNrr | 65  | L            | 487 |        |     |

## Performance curves

### MN100E65-315-2P-50-TM-SS

| Performances |      |                       |             |                       |
|--------------|------|-----------------------|-------------|-----------------------|
| Speed        |      | 2.900 1/min           | Density     | 998 kg/m <sup>3</sup> |
| Flow         | Min. | 45 m <sup>3</sup> /h  | Viscosity   | 1 mm <sup>2</sup> /s  |
|              | Max. | 170 m <sup>3</sup> /h | Temperature | 20 °C                 |
| Efficiency   | Max. | 149 m <sup>3</sup> /h | Tolerances  | ISO 9906 Grade 3B     |



## Types of installation

### MN100E65-315-2P-50-TM-SS



| Total weight |     | 652 kg |     | Dimensions in mm |  |
|--------------|-----|--------|-----|------------------|--|
| a            | 125 | h2     | 280 |                  |  |
| A            | 457 | K      | 19  |                  |  |
| AB           | 545 | L      | 487 |                  |  |
| b            | 80  | m1     | 160 |                  |  |
| B            | 368 | m2     | 120 |                  |  |
| BB           | 490 | n1     | 400 |                  |  |
| C            | 845 | n2     | 315 |                  |  |
| D            | 405 | s1     | 19  |                  |  |
| Da1          | 200 | x      | 8   |                  |  |
| Da2          | 160 | y      | 4   |                  |  |
| Da3          | 18  |        |     |                  |  |
| Dm1          | 185 |        |     |                  |  |
| Dm2          | 145 |        |     |                  |  |
| Dm3          | 18  |        |     |                  |  |
| DNa          | 80  |        |     |                  |  |
| DNm          | 65  |        |     |                  |  |
| E            | 190 |        |     |                  |  |
| G1           | 207 |        |     |                  |  |
| G2           | 226 |        |     |                  |  |
| H            | 280 |        |     |                  |  |
| h1           | 225 |        |     |                  |  |